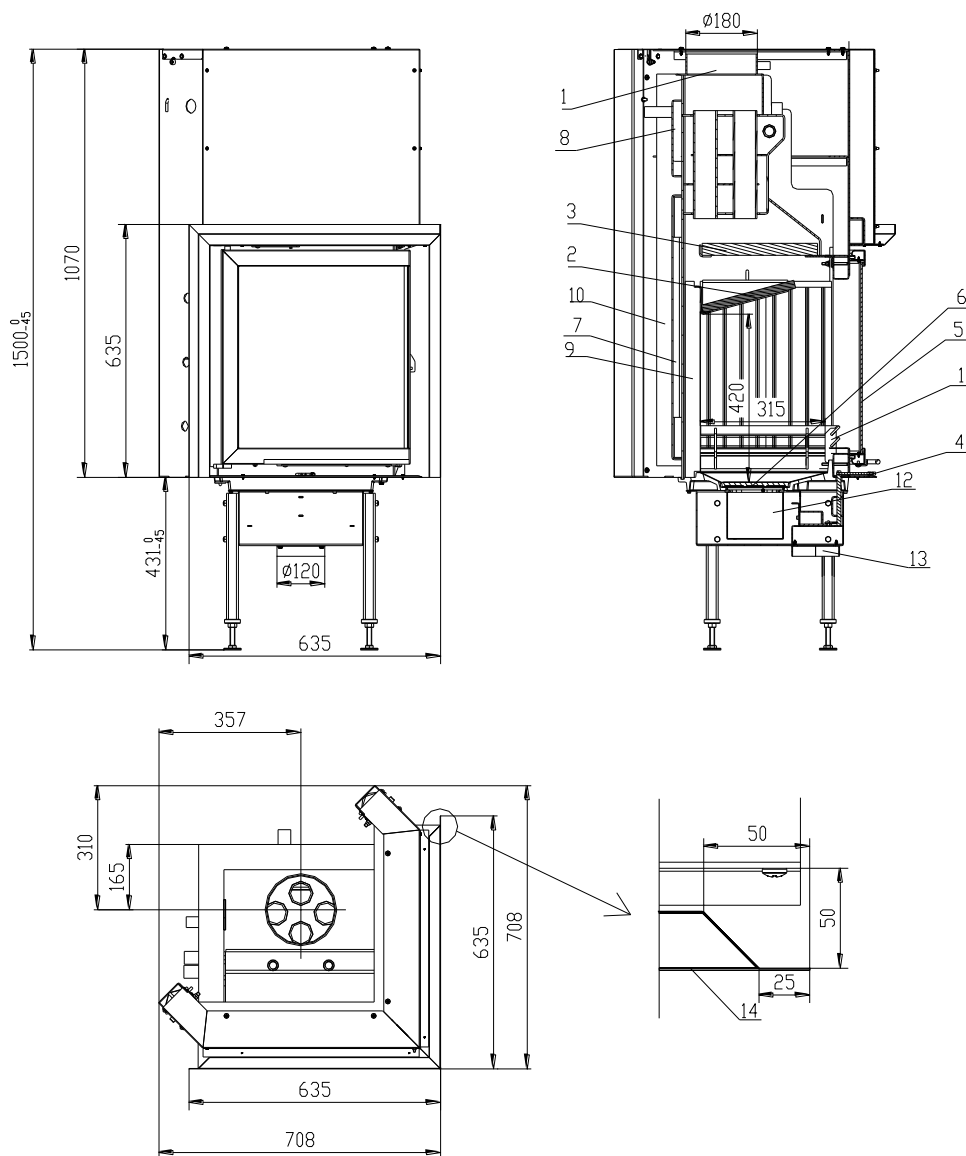


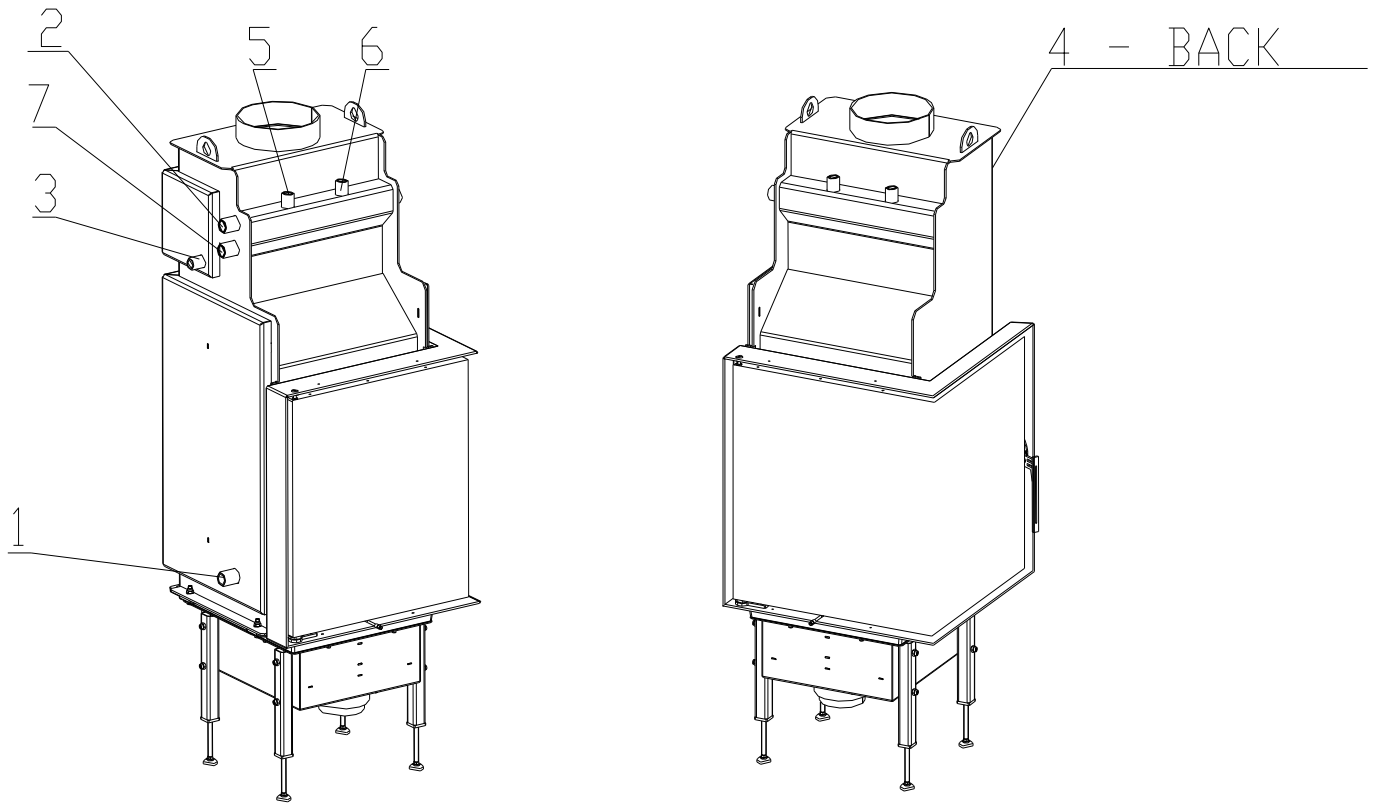
HOT WATER FIREPLACE INSERTS WH 450 VE AQUATIC IN ACCORDANCE WITH EN 13 229



- | | |
|---|--|
| <ul style="list-style-type: none"> 1. Smoke flue bellmouth 2. Vermiculite deflector 3. Vermiculite deflector 4. Control of air suction regulation for combustion 5. Glass 6. Grate 7. Exchanger | <ul style="list-style-type: none"> 8. Coolant loop 9. Fire-Bricks 10. Insulation 11. Barrier 12. Ash tray 13. External air input 14. Frame |
|---|--|

Technical data:

		Closed firebox
Nominal heat output	kW	7,8
Efficiency	%	82,5
Efficiency for water	%	5,8
Volume flow of combustion products	g/s	7,8
Flue-gas temperature	°C	230
Min. feed pressure at nom. heat output	Pa	10
Fuel		wood (beech logs)
Fuel consumption per hour	kg/h	2,2
CO emission in burnt gas (in relation to 13% O ₂) %		0,07
Smoke flue diameter	mm	180
Weight	kg	225



- 1 – Cold water input into water exchanger (reverse), external thread 1“
- 2 – Warm water output from water exchanger (rising pipe), external thread 1“
- 3 – Cold water input for coolant loop , external thread 1/2“
- 4 – Warm water output from coolant loop, external thread 1/2“
- 5 – Input for bleed valve, internal thread 1/2”
- 6 – Pressure valve, internal thread 1/2”
- 7 – Thermic security sensor, external thread 1/2”

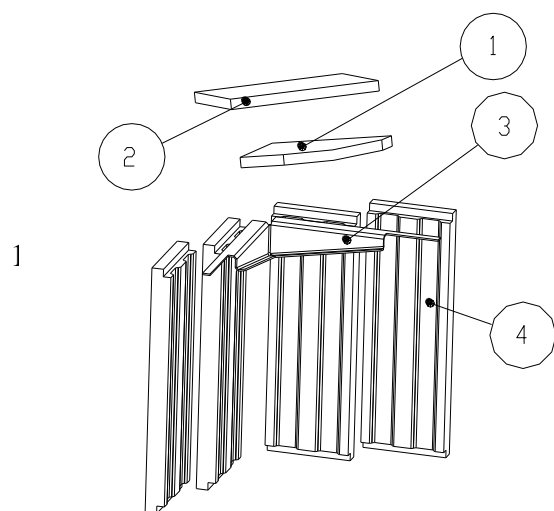
BeF Home, s.r.o.
Kotvrdovice 277
679 07 Kotvrdovice
IČO: 25524682



Type: **WH 450**
Version: **450, 450VE**
Test number: **30-10891**
Notified person: **1015 EN 13229**
Heat output: **7,8kW capacity for heating**
Efficiency: **82,5 %**
CO emission in burnt gas (in relation to 13% O₂): **0,07 %**
Burnt gas temperature: **230 °C**
Distance from adjacent combustible materials: **8cm + 10cm thermal insulation**

Fuel: **wood (beech logs)**
Wood-burning fireplace insert for room heating.

Peruse and keep service instructions!
Appliance with short-term combustion process!



- 1 Bottom deflector – Vermiculite
- 2 Top deflector – Vermiculite
- 3 Bottom deflector holder
- 4 Sides – Back part