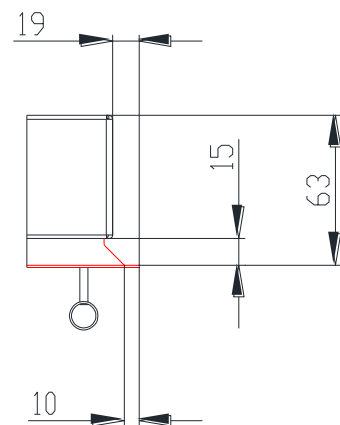
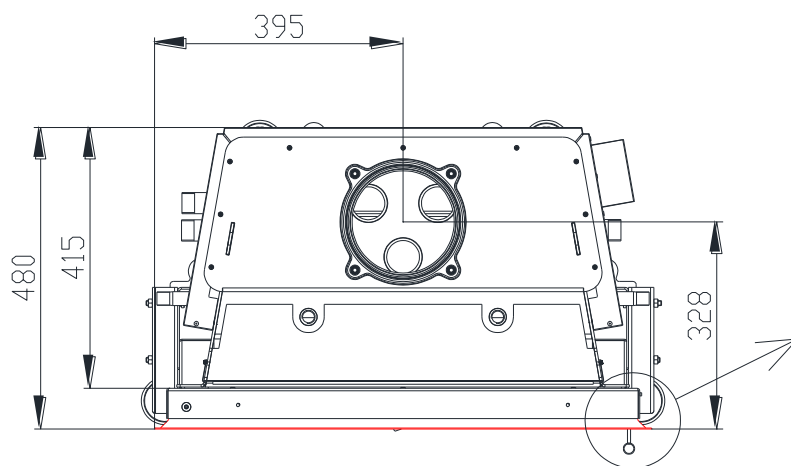
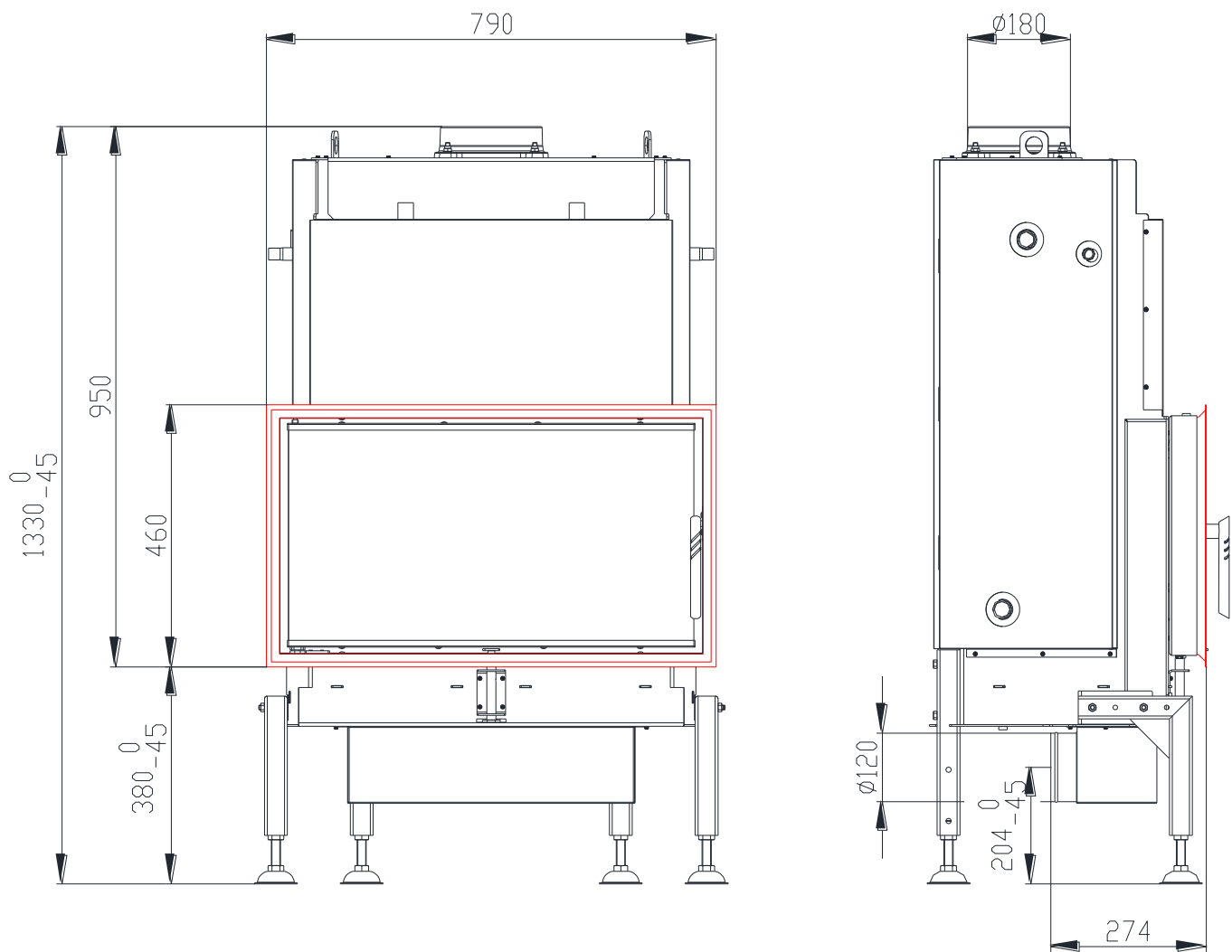


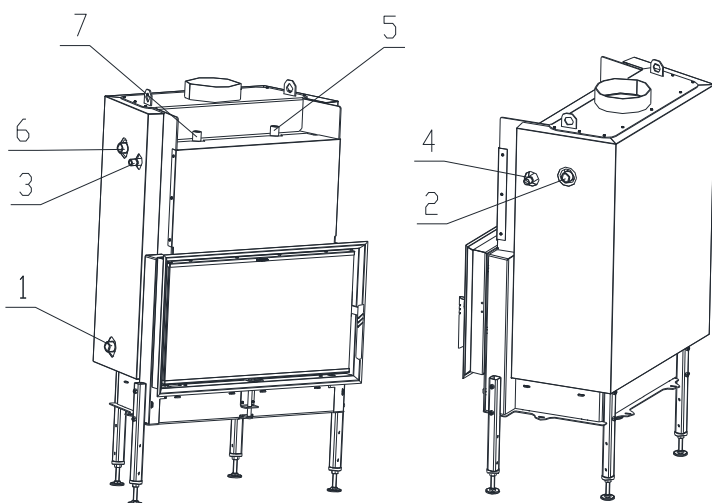
HOT WATER FIREPLACE INSERT AQUATIC WH 70 IN ACCORDANCE WITH EN 13 229



HOT WATER FIREPLACE INSERT AQUATIC WH 70 IN ACCORDANCE WITH EN 13 229

Technical data:

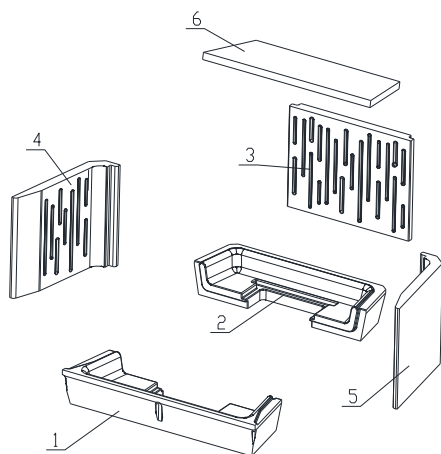
Nominal heat output	kW	10
Efficiency	%	87
Output into water	kW	8
Volume flow of combustion products	g/s	9,2
Flue-gas temperature	°C	169
Min. feed pressure at nominal heat output	Pa	12
Fuel		wood (beech logs)
Fuel consumption per hour	kg/h	2,96
CO emission in burnt gas (in relation to 13% O ₂)	%	0,091
Dust in flue-gas (in relation to 13% O ₂)	mg/Nm ³	29
Smoke flue diameter	mm	180
Weight	kg	197



- 1 – Cold water input into water exchanger (reverse), external thread 1“
- 2 – Warm water output from water exchanger (rising pipe), external thread 1“
- 3 – Cold water input for coolant loop, external thread 1/2“
- 4 – Warm water output from coolant loop, external thread 1/2“
- 5 – Input for air bleed valve, internal thread 1/2“
- 6 – Thermic security sensor, external thread 1“
- 7 – Pressure valve, internal thread 1/2“

Set of carcon firebox:

List of spare parts:



- 1. Bottom
- 2. Bottom
- 3. Back
- 4. Side piece
- 5. Side piece
- 6. Deflector
- 7. Cast iron grate
- 8. Ashtray

For details see Installation and Service Instructions.