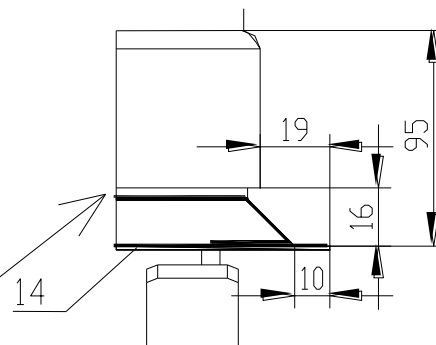
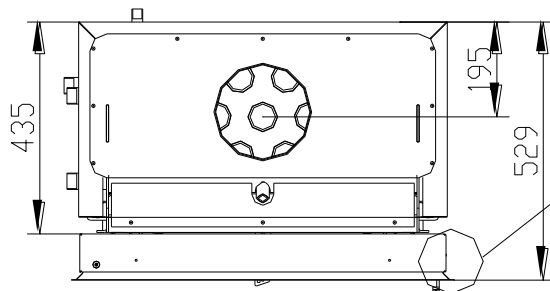
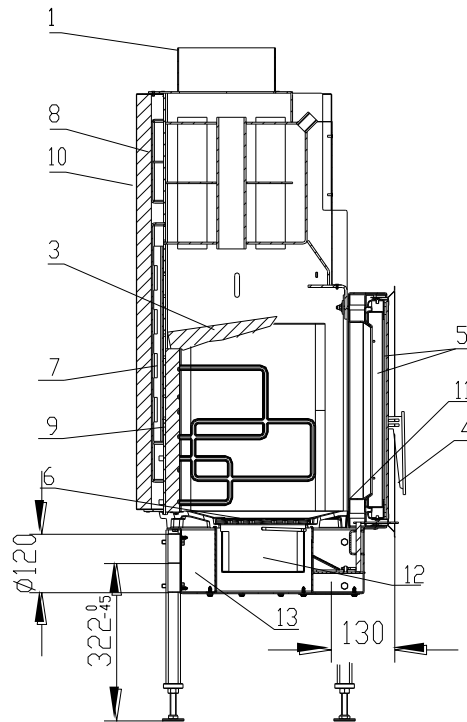
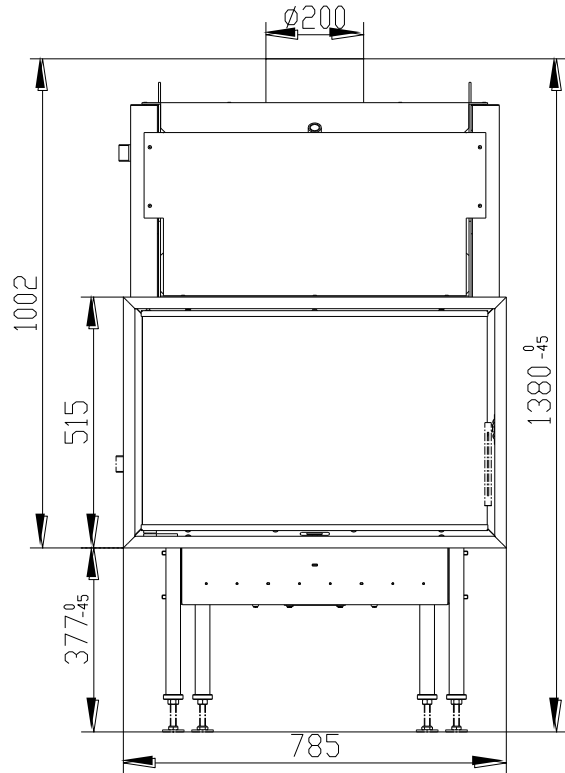


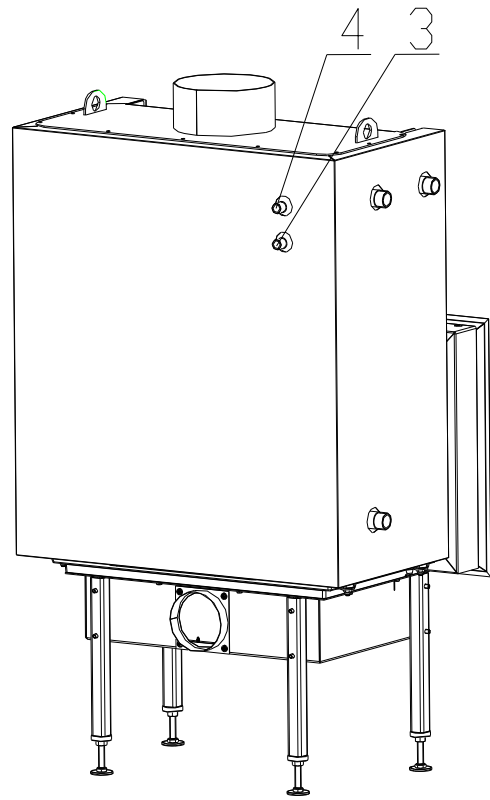
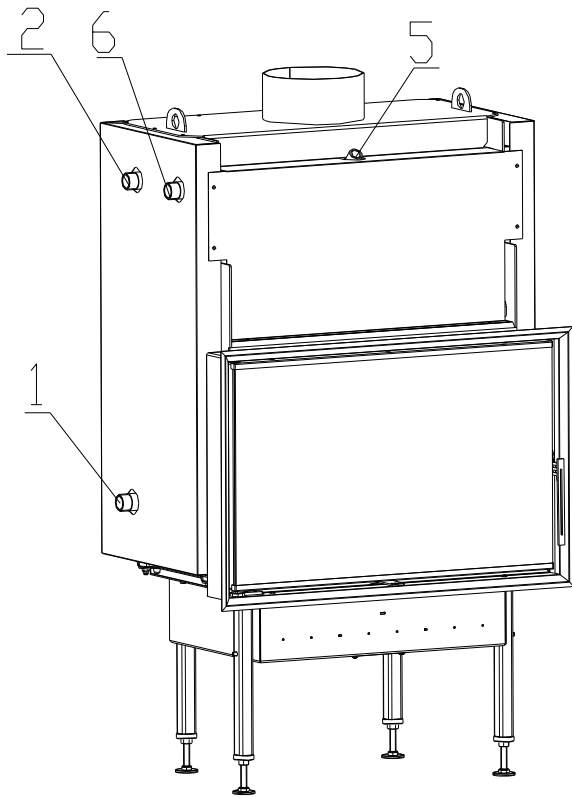
# HOT WATER FIREPLACE INSERTS WH 800 AQUATIC IN ACCORDANCE WITH EN 13 229



- |  |   |
|--|---|
| <ul style="list-style-type: none"> <li><b>1. Smoke flue bellmouth</b></li> <li><b>2. Vermiculite deflector</b></li> <li><b>3. Deflector Carcon</b></li> <li><b>4. Control of air suction regulation for combustion</b></li> <li><b>5. Glass</b></li> <li><b>6. Grate</b></li> <li><b>7. Exchanger</b></li> </ul> | <ul style="list-style-type: none"> <li><b>8. Coolant loop</b></li> <li><b>9. Refractory concrete Carcon</b></li> <li><b>10. Insulation</b></li> <li><b>11. Barrier</b></li> <li><b>12. Ash tray</b></li> <li><b>13. External air input</b></li> <li><b>14. Frame</b></li> </ul> |
|--|---|

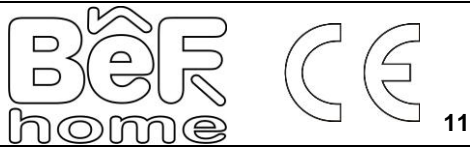
**Technical data:**

|   |      |                   |
|---|------|-------------------|
| Nominal heat output   | kW   | 18,5              |
| Efficiency  | %    | 82,7              |
| Efficiency for water  | %    | 12,5              |
| Volume flow of combustion products                              | g/s  | 16,3              |
| Flue-gas temperature  | °C   | 214               |
| Min. feed pressure at nom. heat output                          | Pa   | 12                |
| Fuel  |      | wood (beech logs) |
| Fuel consumption per hour                                       | kg/h | 5,5               |
| CO emission in burnt gas (in relation to 13% O <sub>2</sub> ) % |      | 0,081             |
| Smoke flue diameter   | mm   | 200               |
| Weight  | kg   | 220               |



- 1 – Cold water input into water exchanger (reverse), external thread 1“
- 2 – Warm water output from water exchanger (rising pipe), external thread 1“
- 3 – Cold water input for coolant loop , external thread 1/2“
- 4 – Warm water output from coolant loop, external thread 1/2“
- 5 – Input for bleed valve, internal thread 1/2”
- 6 – Thermic security sensor, external thread 1”

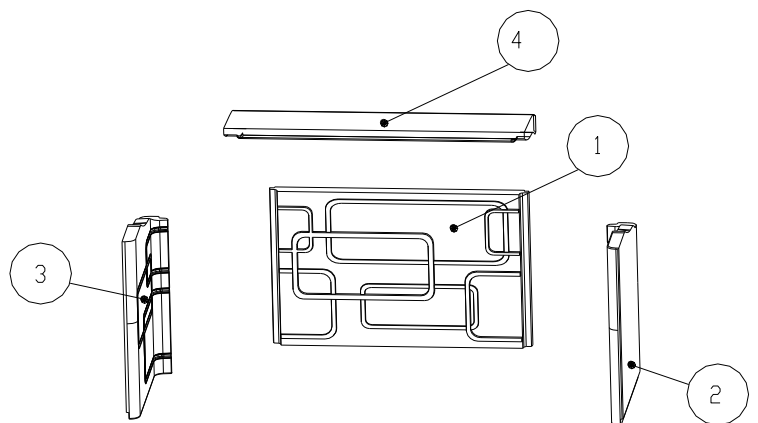
BeF Home, s.r.o.  
Kotvrdovice 277  
679 07 Kotvrdovice  
IČO: 25524682



Type: **WH 800**  
Version: **800, 800V**  
Test number: **30-11203/30-11115/1**  
Notified person: **1015 EN 13229**  
Heat output: **18,5 kW capacity for heating**  
Efficiency: **82,7 %**  
CO emission in burnt gas (in relation to 13% O2): **0,081 %**  
Burnt gas temperature: **214 °C**  
Distance from adjacent combustibile materials: **8cm + 10cm thermal insulation**

Fuel: **wood (beech logs)**  
**Wood-burning fireplace insert for room heating.**

**Peruse and keep service instructions!**  
**Appliance with short-term combustion process!**



- 1 – Back Side
- 2 – Right Side
- 3 – Left side
- 4 – Deflektor