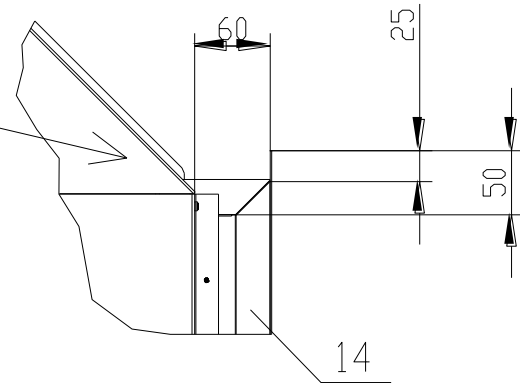
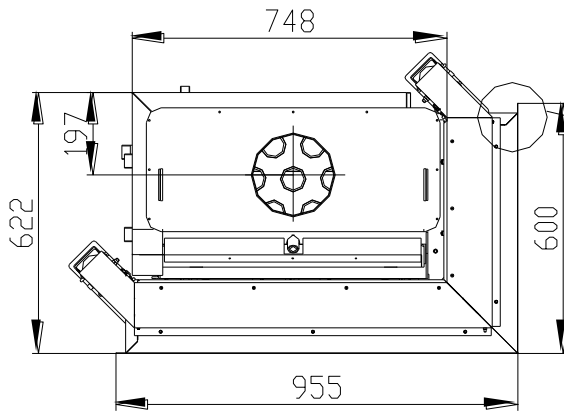
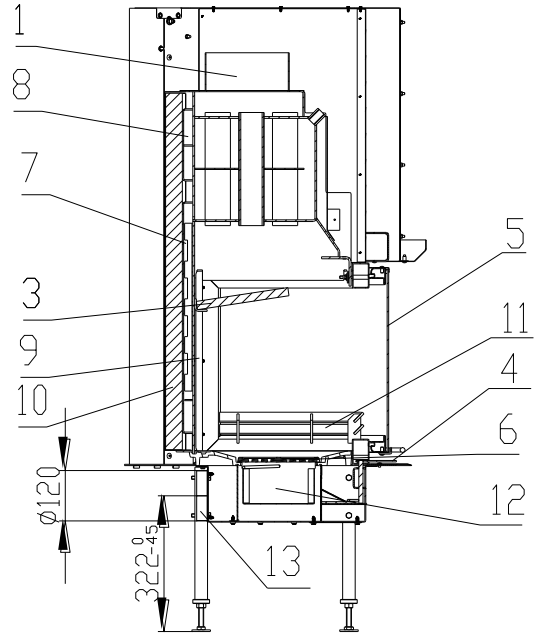
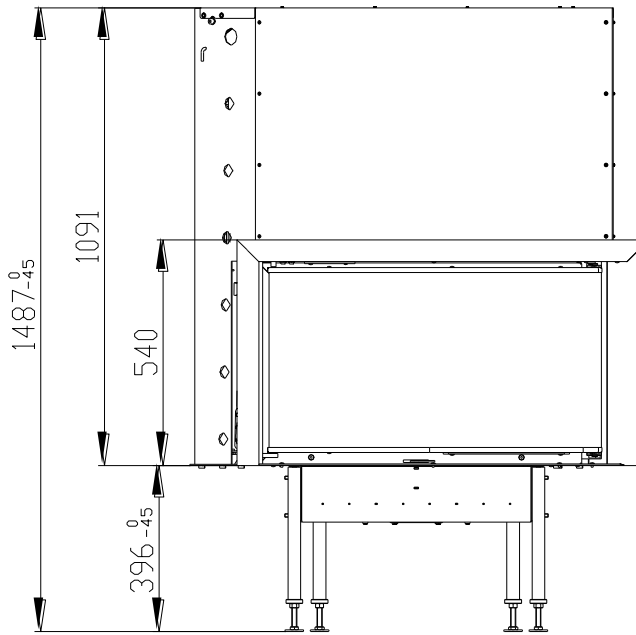


# HOT WATER FIREPLACE INSERTS WH 850 VCP AQUATIC

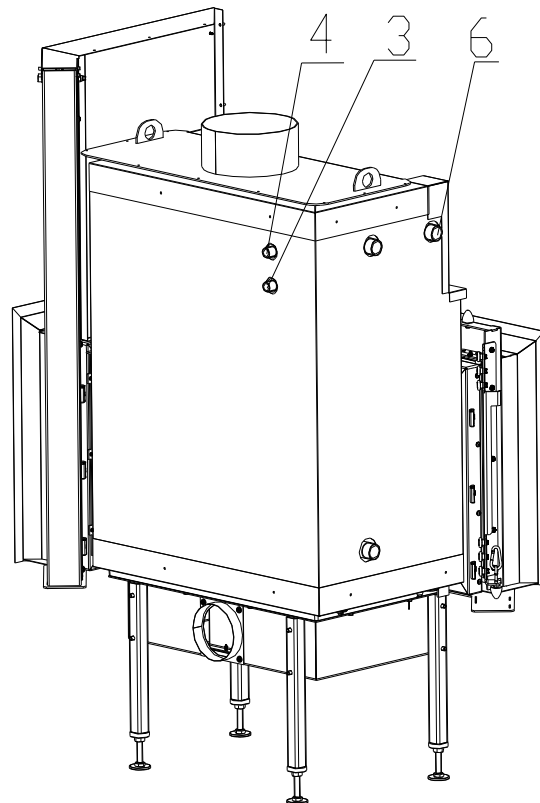
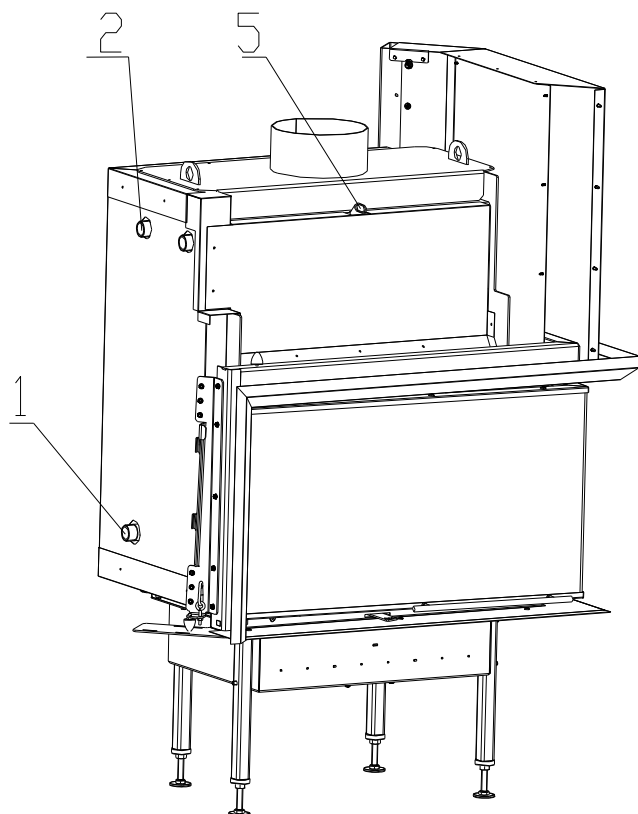
## IN ACCORDANCE WITH EN 13 229



- |   |  |
|---|--|
| <ul style="list-style-type: none"> <li>1. Smoke flue bellmouth</li> <li>2. Vermiculite deflector</li> <li>3. Deflector Carcon</li> <li>4. Control of air suction regulation for combustion</li> <li>5. Glass</li> <li>6. Grate</li> <li>7. Exchanger</li> </ul> | <ul style="list-style-type: none"> <li>8. Coolant loop</li> <li>9. Refractory concrete Carcon</li> <li>10. Insulation</li> <li>11. Barrier</li> <li>12. Ash tray</li> <li>13. External air input</li> <li>14. Frame</li> </ul> |
|---|--|

**Technical data:**

Nominal heat output	kW	14,5
Efficiency	%	83,8
Efficiency for water	%	9
Volume flow of combustion products	g/s	15,2
Flue-gas temperature	°C	173
Min. feed pressure at nom. heat output	Pa	12
Fuel		wood (beech logs)
Fuel consumption per hour	kg/h	4
CO emission in burnt gas (in relation to 13% O <sub>2</sub> ) %		0,096
Smoke flue diameter	mm	200
Weight	kg	280



- 1 – Cold water input into water exchanger (reverse), external thread 1“
- 2 – Warm water output from water exchanger (rising pipe), external thread 1“
- 3 – Cold water input for coolant loop , external thread 1/2“
- 4 – Warm water output from coolant loop, external thread 1/2“
- 5 – Input for bleed valve, internal thread 1/2”
- 6– Thermic security sensor, external thread 1”

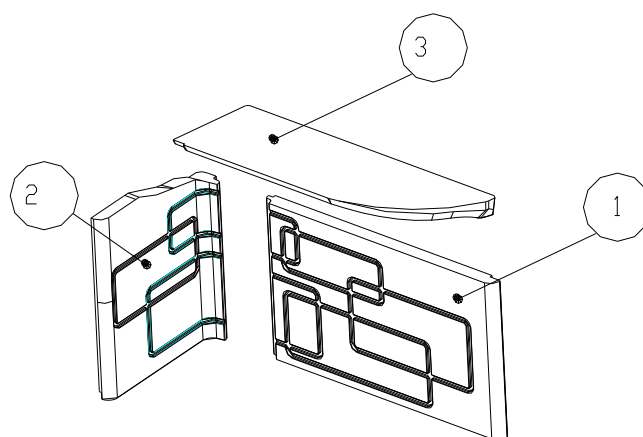
BeF Home, s.r.o.  
Kotvrdovice 277  
679 07 Kotvrdovice  
IČO: 25524682



Type: **WH 850**  
Version: **850, 850V, 850VCL, 850VCP,**  
Test number: **30-11203/30-11115**  
Notified person: **1015 EN 13229**  
Heat output: **14,5 kW capacity for heating**  
Efficiency: **83,8 %**  
CO emission in burnt gas (in relation to 13% O2 ): **0,096 %**  
Burnt gas temperature: **173 °C**  
Distance from adjacent combustible materials: **8cm + 10cm thermal insulation**

Fuel: **wood (beech logs)**  
**Wood-burning fireplace insert for room heating.**

**Peruse and keep service instructions!**  
**Appliance with short-term combustion process!**



- 1 – Back Side
- 2 – Right Side
- 3 – Deflektor