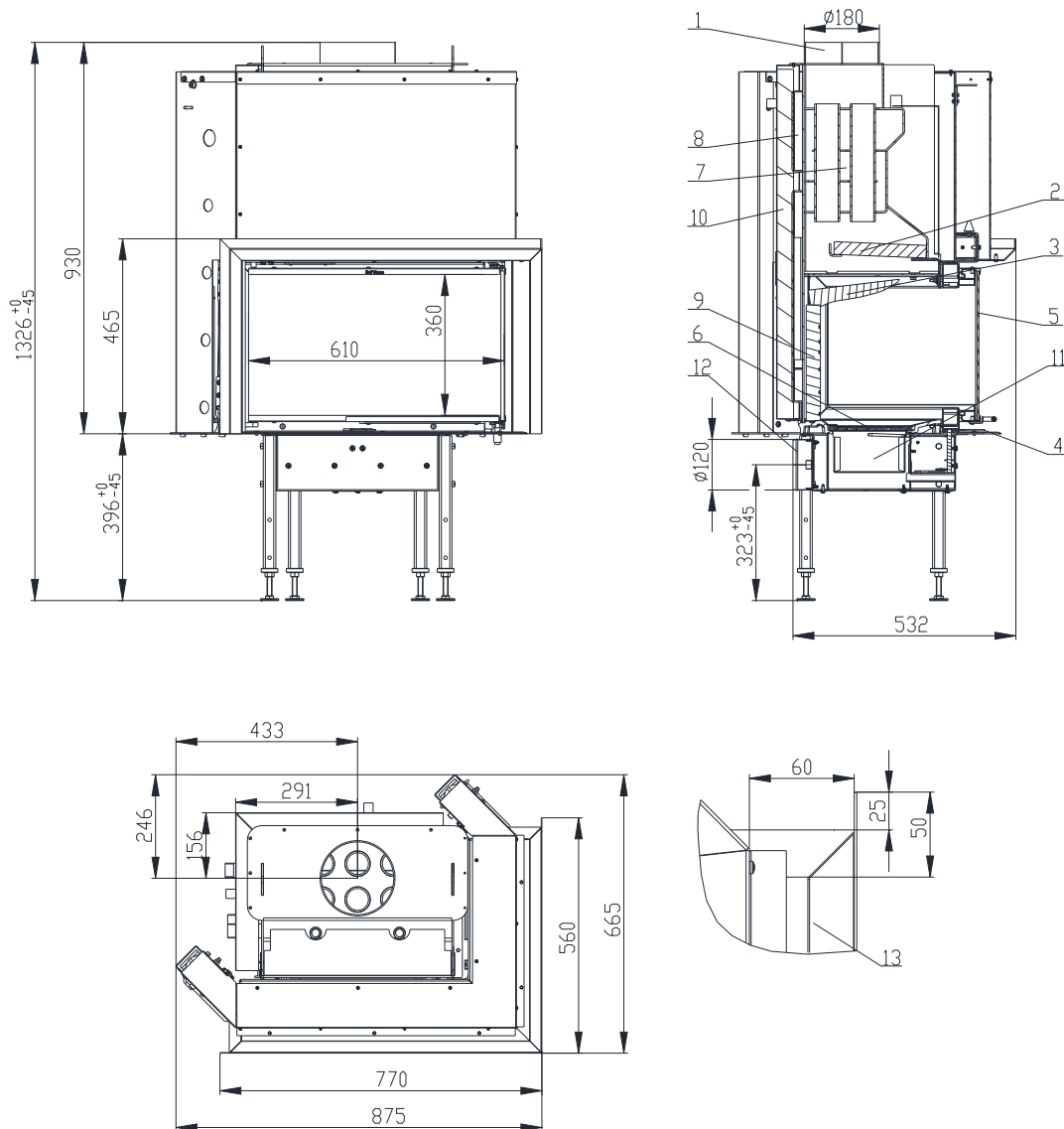


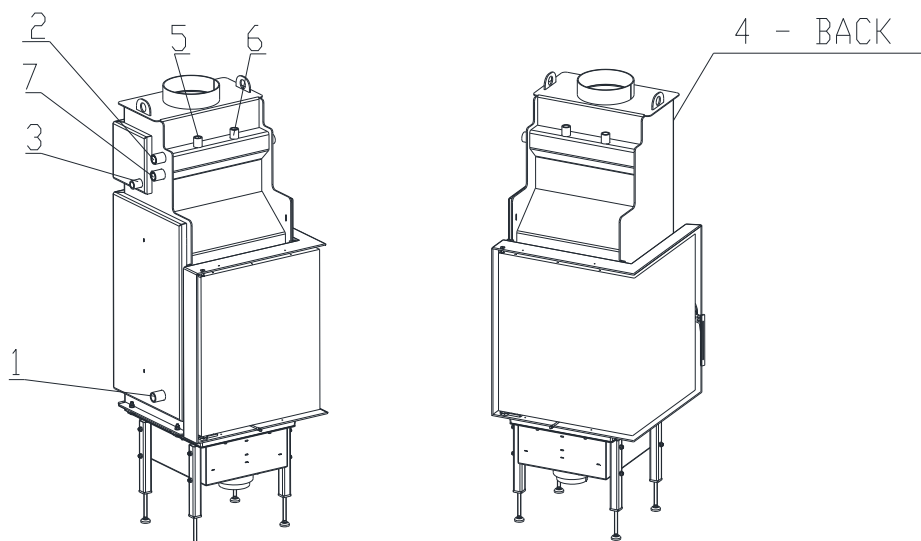
FIREPLACE INSERT WH 650 VCP AQUATIC IN ACCORDANCE WITH EN 13 229



- | | |
|---|---|
| <ul style="list-style-type: none"> 1. Smoke flue bellmouth 2. Deflectors (Vermiculite) 3. Deflector (Carcon) 4. Combustion air regulation 5. Glass 6. Grate 7. Exchanger | <ul style="list-style-type: none"> 8. Coolant loop 9. Refractory concrete (Carcon) 10. Insulation 11. Ash tray 12. External air input 13. Frame |
|---|---|

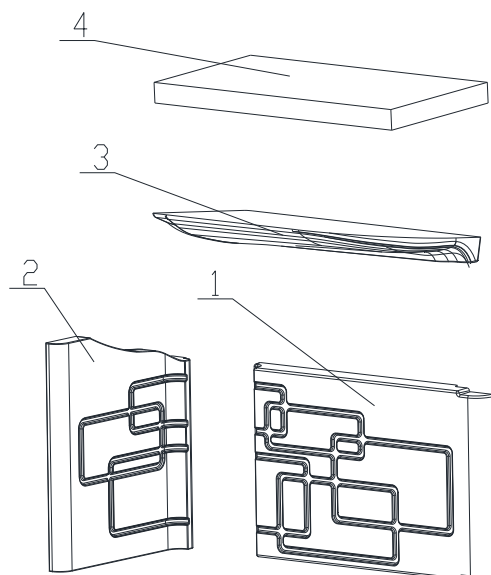
Technical data:

		Closed firebox
Nominal heat output	kW	10
Efficiency	%	86
Heat output into water	kW	6,3
Volume flow of combustion products	g/s	7,1
Flue-gas temperature	°C	210
Min. feed pressure at nominal heat output	Pa	12
Fuel		wood (beech logs)
Fuel consumption per hour	kg/h	2,81
CO emission in burnt gas (in relation to 13% O ₂) %		0,07
Smoke flue diameter	mm	180
Weight	kg	208



- 1 – Cold water input into water exchanger (reverse), external thread 1“
- 2 – Warm water output from water exchanger (rising pipe), external thread 1“
- 3 – Cold water input for coolant loop, external thread 1/2“
- 4 – Warm water output from coolant loop, external thread 1/2“
- 5 – Input for air valve, internal thread 1/2“
- 6 – Pressure valve, internal thread 1/2“
- 7 – Thermic security sensor, internal thread 1“

Set of chamotte firebox



- 1 – Back
- 2 – Left side
- 3 – Bottom deflector
- 4 – Upper deflector

BeF Home, s.r.o.
Kotvrdovice 277
679 07 Kotvrdovice
IČO: 25524682



Type: **WH 650**
Version: **650, 650V, 650VCL, 650VCP, 650CP, 650CL**
Test number: **30-11000/30-10891**
Notified person: **1015 EN 13229**
Heat output: **10 kW**
Efficiency: **86 %**
CO emission in burnt gas (in relation to 13% O₂): **0,07 %**
Burnt gas temperature: **210 °C**
Distance from adjacent combustible materials: **8cm + 10cm**
thermal insulation
Druhý paliv: **wood (beech logs)**
Wood burning fireplace insert for room heating

Peruse and keep service instruction!
Appliance with short-term combustion process!

For details see Installation and Service Instructions