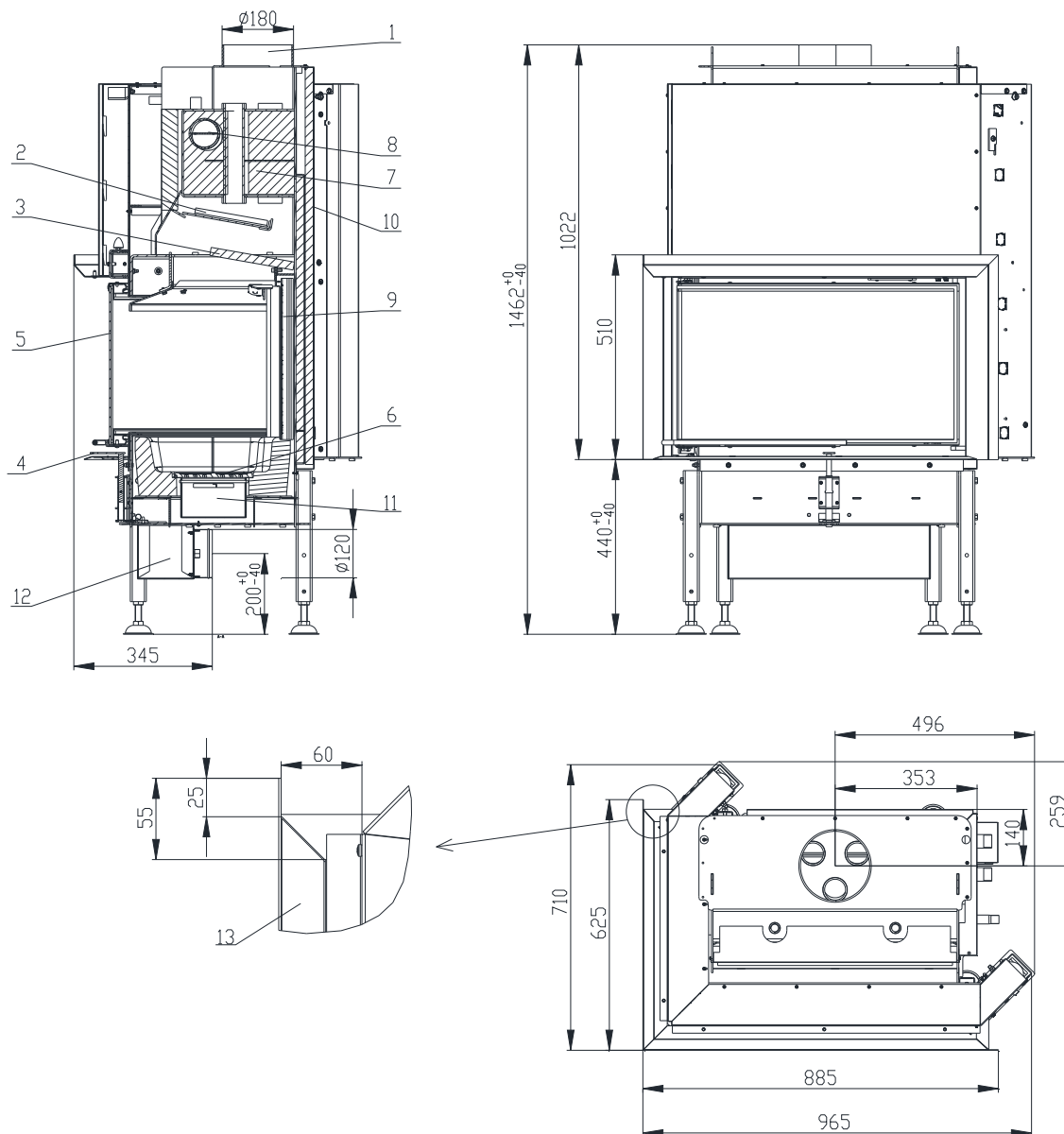


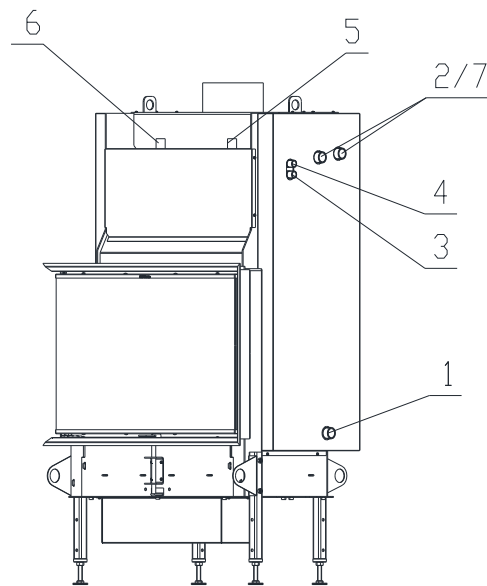
HOT FIREPLACE INSERT WH 80 VCL AQUATIC IN ACCORDANCE WITH EN 13 229



- | | |
|--|---|
| <ul style="list-style-type: none"> 1. Smoke flue bellmouth 2. Deflector (Steel) 3. Deflector (Vermiculite) 4. Combustion air regulation 5. Glass 6. Grate 7. Exchanger | <ul style="list-style-type: none"> 8. Coolant loop 9. Refractory concrete (Carcon) 10. Insulation 11. Ash tray 12. External air input 13. Frame |
|--|---|

Technical data:

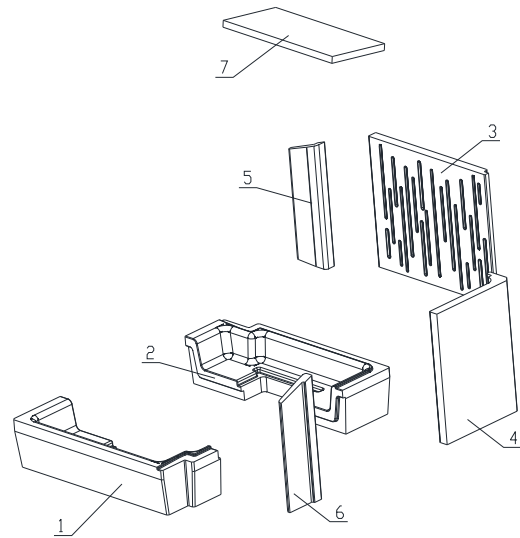
Nominal heat output	kW	14,5
Efficiency	%	84
Output into water	kW	10
Volume flow of combustion products	g/s	13,2
Flue-gas temperature	°C	191
Min. feed pressure at nominal heat output	Pa	10
Fuel	wood (beech logs)	
Fuel consumption per hour	kg/h	4
CO emission in burnt gas (in relation to 13% O ₂)	%	0,0441
Smoke flue diameter	mm	180
Weight	kg	311



- 1 – Cold water input into water exchanger (reverse), external thread 1“
- 2 – Warm water output from water exchanger (rising pipe), external thread 1“
- 3 – Cold water input for coolant loop, external thread 1/2“
- 4 – Warm water output from coolant loop, external thread 1/2“
- 5 – Input for bleed valve, internal thread 1/2“
- 6 – Pressure valve, internal thread 1/2“
- 7 – Thermic security sensor, external thread 1“

Set of carcon firebox

BeF Home, s.r.o. Kotvrdovice 277 679 07 Kotvrdovice IČO: 25524682			12
Type: WH 80 Version: 80, 80V, 80VCL, 80VCP Test number: 30-11486/1 Notified person 1015 EN 13229 Heat output: 14,5 kW capacity for heating Efficiency: 84 % CO emission in burnt gas (in relation to 13% O ₂): 0,0441 % Burnt gas temperature: 191 °C Distance from adjacent combustible materials: 8cm + 10cm thermal insulation Fuel: wood (beech logs) Wood-burning fireplace insert for room heating			
Peruse and keep service instructions! Appliance with short-term combustion process!			



- 1 – Front bottom
- 2 – Back bottom
- 3 – Back
- 4 – Side
- 5 – Side cover
- 6 – Side cover
- 7 – Deflector

For details see Installation and Service Instructions