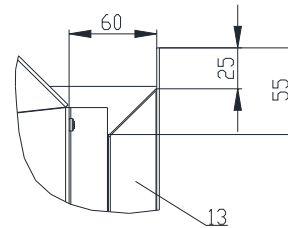
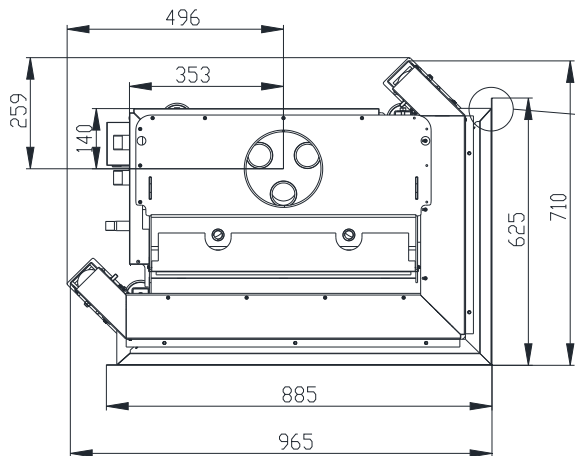
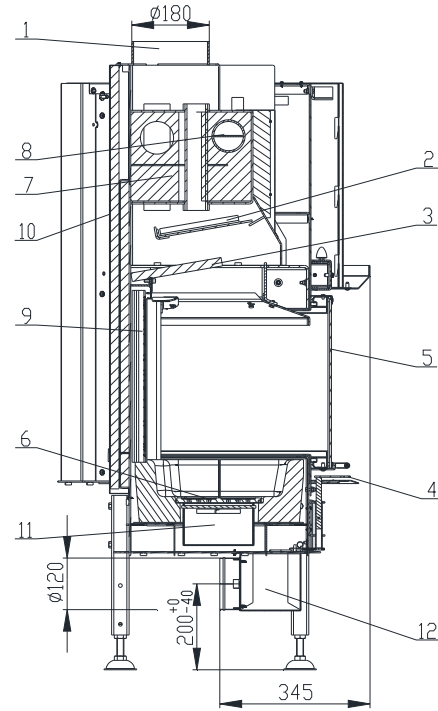
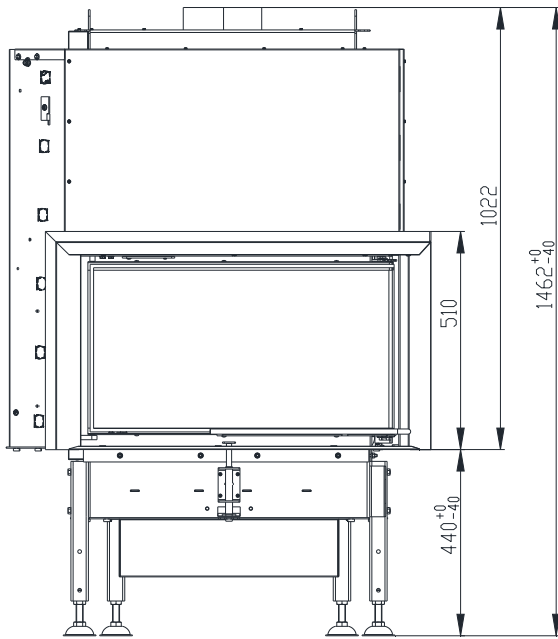


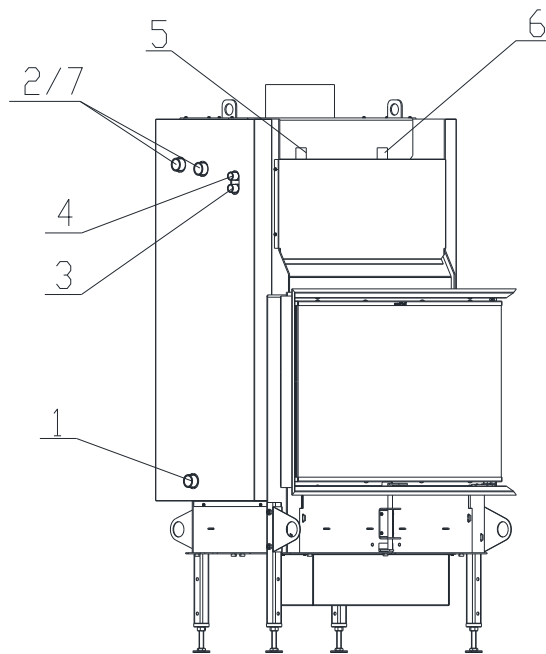
HOT FIREPLACE WH 80 VCP AQUATIC IN ACCORDANCE WITH EN 13 229



- | | |
|---|---|
| <ul style="list-style-type: none"> 1. Smoke flue bellmouth 2. Deflector (Steel) 3. Deflector (Vermiculite) 4. Combustion air regulation 5. Glass 6. Grate 7. Exchanger | <ul style="list-style-type: none"> 8. Coolant loop 9. Refractory concrete (Carcon) 10. Insulation 11. Ash tray 12. External air input 13. Frame |
|---|---|

Technical data:

Nominal heat output	kW	14,5
Efficiency	%	84
Output into water	kW	10
Volume flow of combustion products	g/s	13,2
Flue-gas temperature	°C	191
Min. feed pressure at nominal heat output	Pa	10
Fuel		wood (beech logs)
Fuel consumption per hour	kg/h	4
CO emission in burnt gas (in relation to 13% O2)		0,0441
%		
Smoke flue diameter	mm	180
Weight	kg	311



- 1 – Cold water input into water exchanger (reverse), external thread 1“
- 2 – Warm water output from water exchanger (rising pipe), external thread 1“
- 3 – Cold water input for coolant loop, external thread 1/2“
- 4 – Warm water output from coolant loop, external thread 1/2“
- 5 – Input for bleed valve, internal thread 1/2“
- 6 – Pressure valve, internal thread 1/2“
- 7 – Thermic security sensor, external thread 1“

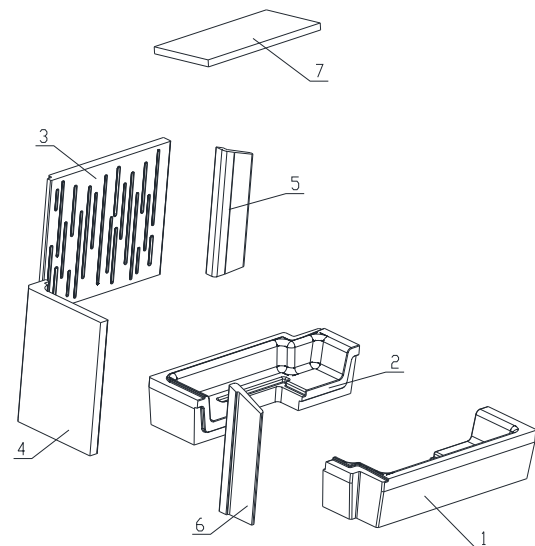
Set of carcon firebox

BeF Home, s.r.o.
Kotvrdovice 277
679 07 Kotvrdovice
IČO: 25524682



Type: **WH 80**
Version **80, 80V, 80VCL, 80VCP**
Test number: **30-11486/1**
Notified person: **1015 EN 13229**
Heat output: **14,5 kW výkonu pro vytápění**
Efficiency: **84 %**
CO emission in burnt gas (in relation to 13% O₂): **0,0441 %**
Burnt gas temperature: **191 °C**
Distance from adjacent combustible materials: **8cm + 10cm**
thermal insulation
Fuel: **wood (beech logs)**
Wood-burning fireplace insert for room heating

Peruse and keep service instructions!
Appliance with short-term combustion process!



- 1 – Front bottom
- 2 – Back bottom
- 3 – Back
- 4 – Side
- 5 – Side cover
- 6 – Side cover
- 7 – Deflector

For details see Installation and Service Instructions

