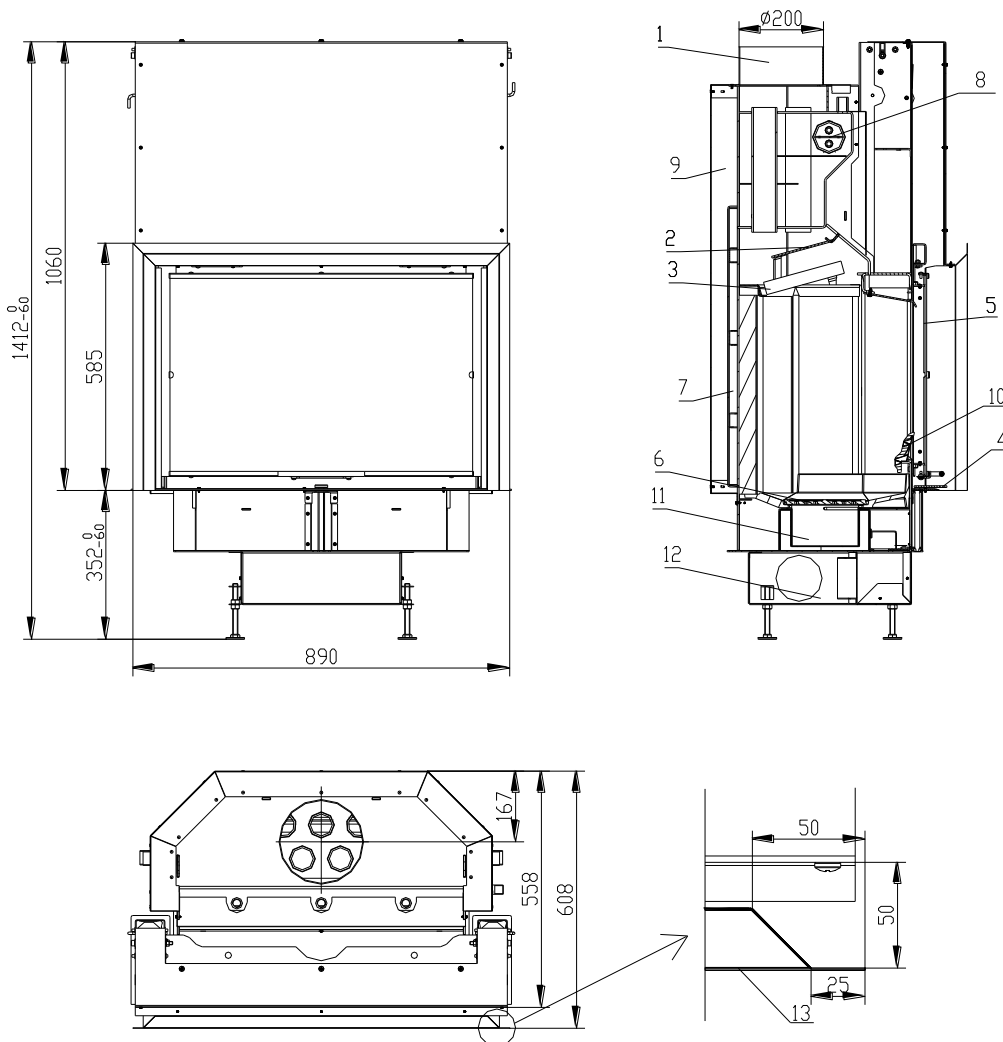


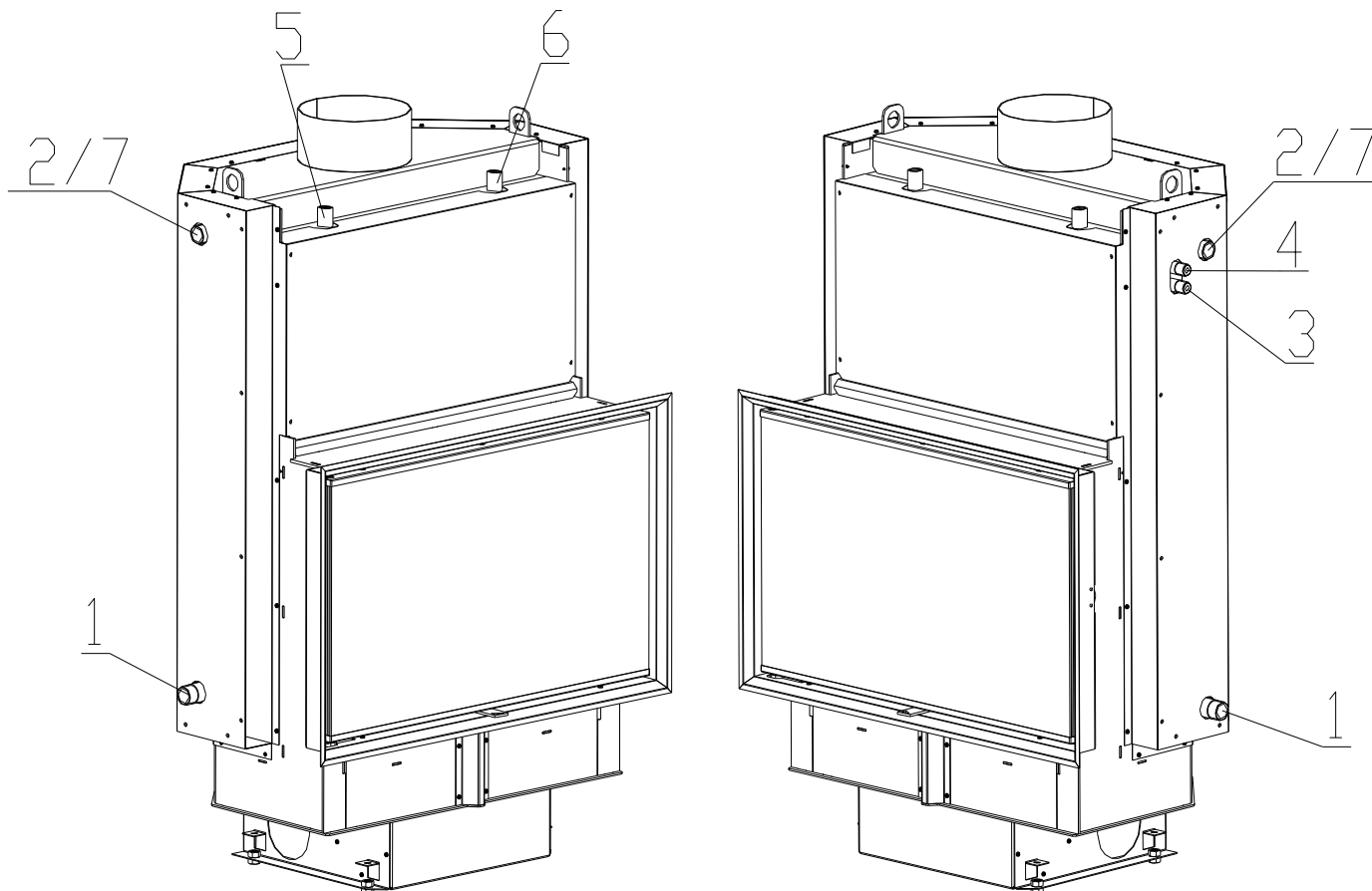
# HOT WATER FIREPLACE INSERTS WH 750V AQUATIC IN ACCORDNCE WITH EN 13 229



- |   |  |
|---|--|
| <ul style="list-style-type: none"> <li><b>1. Smoke flue bellmouth</b></li> <li><b>2. Deflector</b></li> <li><b>3. Vermiculite deflector</b></li> <li><b>4. Control of air suction regulation for combustion</b></li> <li><b>5. Glass</b></li> <li><b>6. Grate</b></li> <li><b>7. Exchanger</b></li> <li><b>15. Frame</b></li> </ul> | <ul style="list-style-type: none"> <li><b>8. Coolant loop</b></li> <li><b>9. Insulation</b></li> <li><b>10. Fire-Bricks</b></li> <li><b>11. Barrier</b></li> <li><b>12. Ash tray</b></li> <li><b>13. Stand</b></li> <li><b>14. External air input</b></li> </ul> |
|---|--|

**Technical data:**

		Closed firebox
Nominal heat output	kW	14,5
Efficiency	%	86
Efficiency for water	%	9,5
Volume flow of combustion products	g/s	12
Flue-gas temperature	°C	211
Min. feed pressure at nom. heat output	Pa	10
Fuel		wood (beech logs)
Fuel consumption per hour	kg/h	4
CO emission in burnt gas (in relation to 13% O <sub>2</sub> ) %		0,07
Smoke flue diameter	mm	200
Weight	kg	286



- 1 – Cold water input into water exchanger (reverse), external thread 1“
- 2 – Warm water output from water exchanger (rising pipe), external thread 1“
- 3 – Cold water input for coolant loop, external thread 1/2“
- 4 – Warm water output from coolant loop, external thread 1/2“
- 5 – Input for bleed valve, internal thread 1/2”
- 6 – Pressure valve, internal thread 1/2”
- 7 – Thermic security sensor, external thread 1“

BeF Home, s.r.o.  
Kotvrdovice 277  
679 07 Kotvrdovice  
IČO: 25524682



Type: **WH 750**

Version: **750, 750V, 750VCL, 750VCP, 750CP, 750CL**

Test number: **30-10838/30-10793**

Notified person: **1015 EN 13229**

Heat output: **14,5 kW capacity for heating**

Efficiency: **86 %**

CO emission in burnt gas (in relation to 13% O<sub>2</sub>): **0,07 %**

Burnt gas temperature: **211 °C**

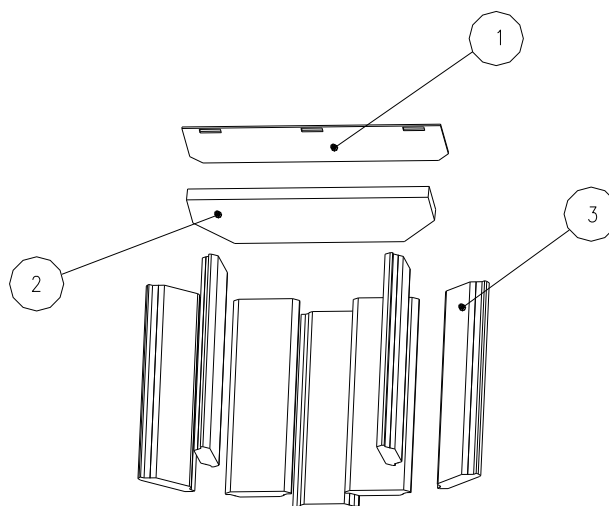
Distance from adjacent combustible materials: **8cm + 10cm thermal insulation**

Fuel: **wood (beech logs)**

**Wood-burning fireplace insert for room heating.**

**Peruse and keep service instructions!**

**Appliance with short-term combustion process!**



- 1 – Metal sheet deflector
- 2 – Vermiculite deflector
- 3 – Firebricks piece