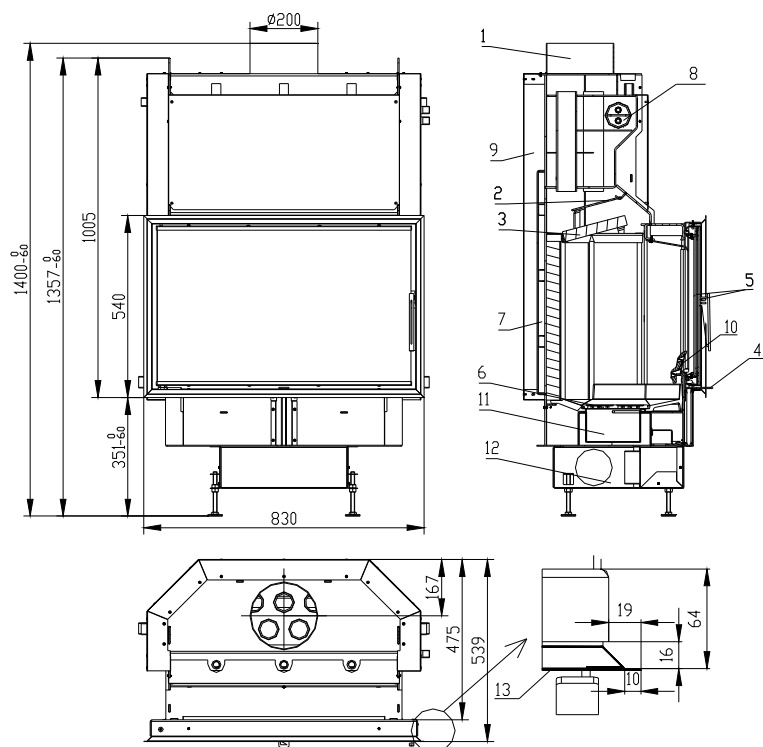


HOT WATER FIREPLACE INSERTS WH 750 AQUATIC

DLE EN 13 229

Schema:

Description:



- 1 Smoke flue bellmount
- 2 Deflector
- 3 Deflektor
- 4 Control of air suction regulation for combustion
- 5 Glass
- 6 Fire-bricks
- 7 Changer
- 8 Coolant loop
- 9 Isolation
- 10 Primary chamber
- 11 Ash tray
- 12 Stand
- 13 Frame

Technical data:

		Closed firebox
Nominal heat output	kW	14,5
Efficiency	%	86
Efficiency for water	%	9,5
Volume flow of combustion products	g/s	12
Flue-gas temperature	°C	211
Min. feed pressure at nom. heat output	Pa	10
Fuel		Wood (beech logs)
Fuel consumption per hour	kg/h	4
CO emission in burnt gas (in relation to 13% O ₂)	%	0,07
Smoke flue diameter	mm	200
Weight	kg	280

Nominal heat output listed on a type label is with:

- favourable	Heating conditions sufficient for	70 – 90 m ³
- less favourable		40 – 70 m ³
- unfavourable		20 – 40 m ³
Min. diameter of convectional air input		927 cm ²
Min. diameter of convectional air output		1035 cm ²
One-hour input of convectional air		400 cm ²

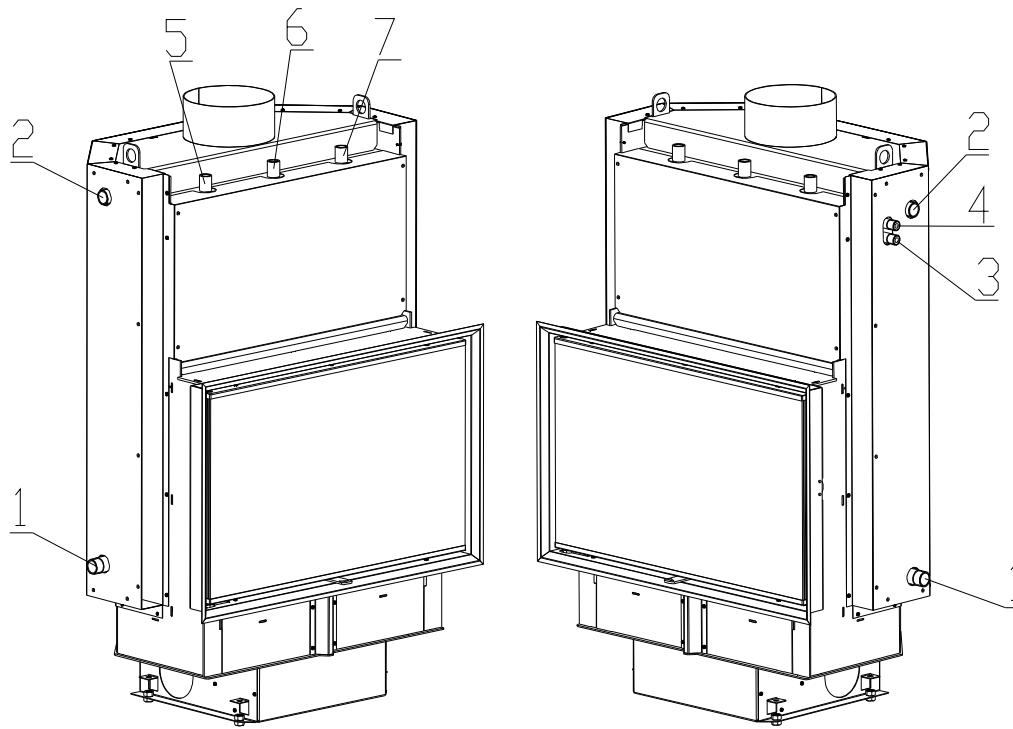
Preventive requirements:

		Thickness/ mm
Brick veneer	Back wall	100
	Side wall	100
Brick veneer replacement, insulation acc. to AGI Q 132	Ceiling in the surround	60
Thermal insulation layer	Floor	30
	Side wall	100
	Back wall	100
	Convectional air ceiling	40/100
	Smoke flue outside the convectional air coating	40

Min. distance of the fireplace insert from the inner side of the insulation:

Side wall	80 mm	From the insert surface to the inner side of the insulation
Back wall	90 mm	From the insert surface to the inner side of the insulation
Floor	335 mm	From the bottom edge of the space for wood to the top edge of floor insulation
Ceiling	410 mm	From the top edge of the inner part of ceiling insulation

¹⁾ For details see Installation and Service Instructions



- 1 - Cold water input into water exchanger (reverse), internal thread 1“
- 2 - Warm water output from water exchanger (rising pipe), internal thread 1“
- 3 - Cold water input for coolant loop , external thread 1/2“
- 4 - Warm water output from coolant loop, external thread 1/2“
- 5 - Input for bleed valve, internal thread 1/2”
- 6 - Druckventil, internal thread 1/2”
- 7 - Thermic security sensor, internal thread 1/2”



BeF Home, Ltd.
 Kotvrdovice 277
 679 07 Kotvrdovice
 IČO: 25524682
 07

EN 13229:2001 and A1:2004

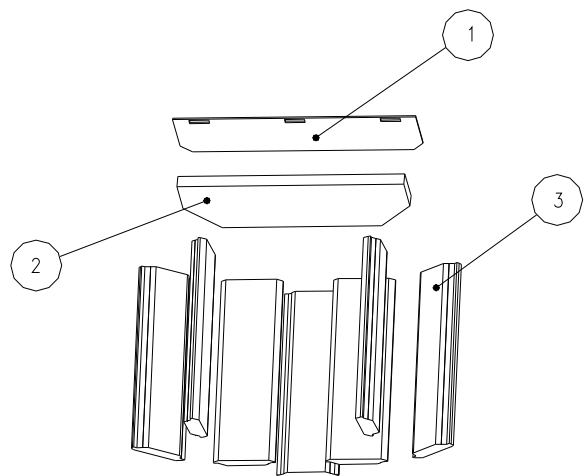
Wood-burning fireplace insert EN 13229 – W calculated for a room heating

Type **WH 750, WH 750 V, WH 750 VCL, WH 750 VCP,
 WH 750 CP, WH 750 CL**

Distance from adjacent combustible materials: 7 + 10 cm of thermal insulation¹⁾

CO emission in burnt gas
 (in relation to 13% O₂): 0,07 %
Burnt gas temperature: 211 °C
Heating capacity: 14,5 kW of capacity for heating
Energy efficiency: 86 %
Kinds of fuel: wood (beech logs)

Peruse and keep service instructions!



- 1 – Deflektor
- 2 – Deflektor
- 3 – Side face