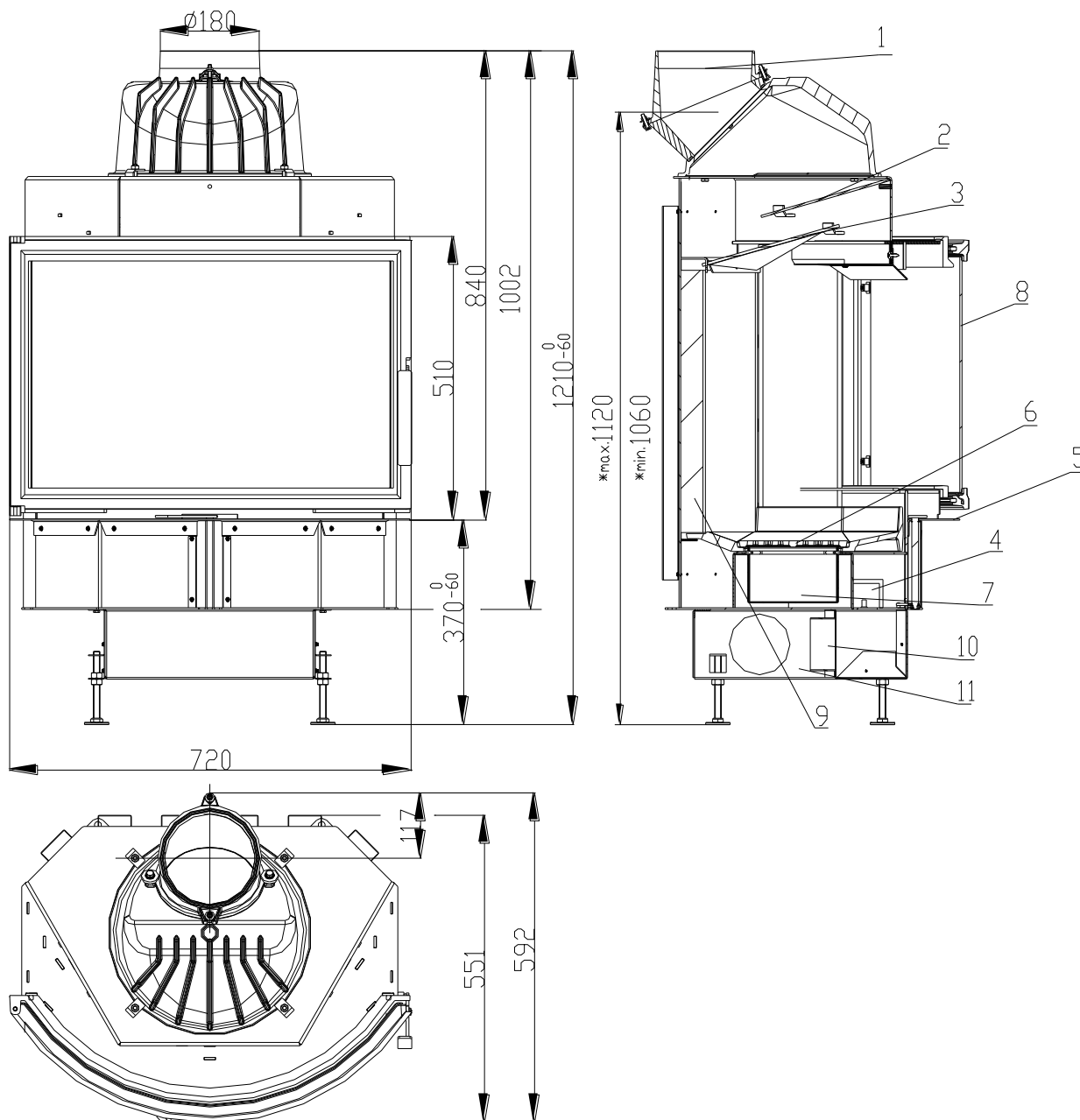


# FIREPLACE INSERT BeF 730R in accordance with EN 13 229 – W



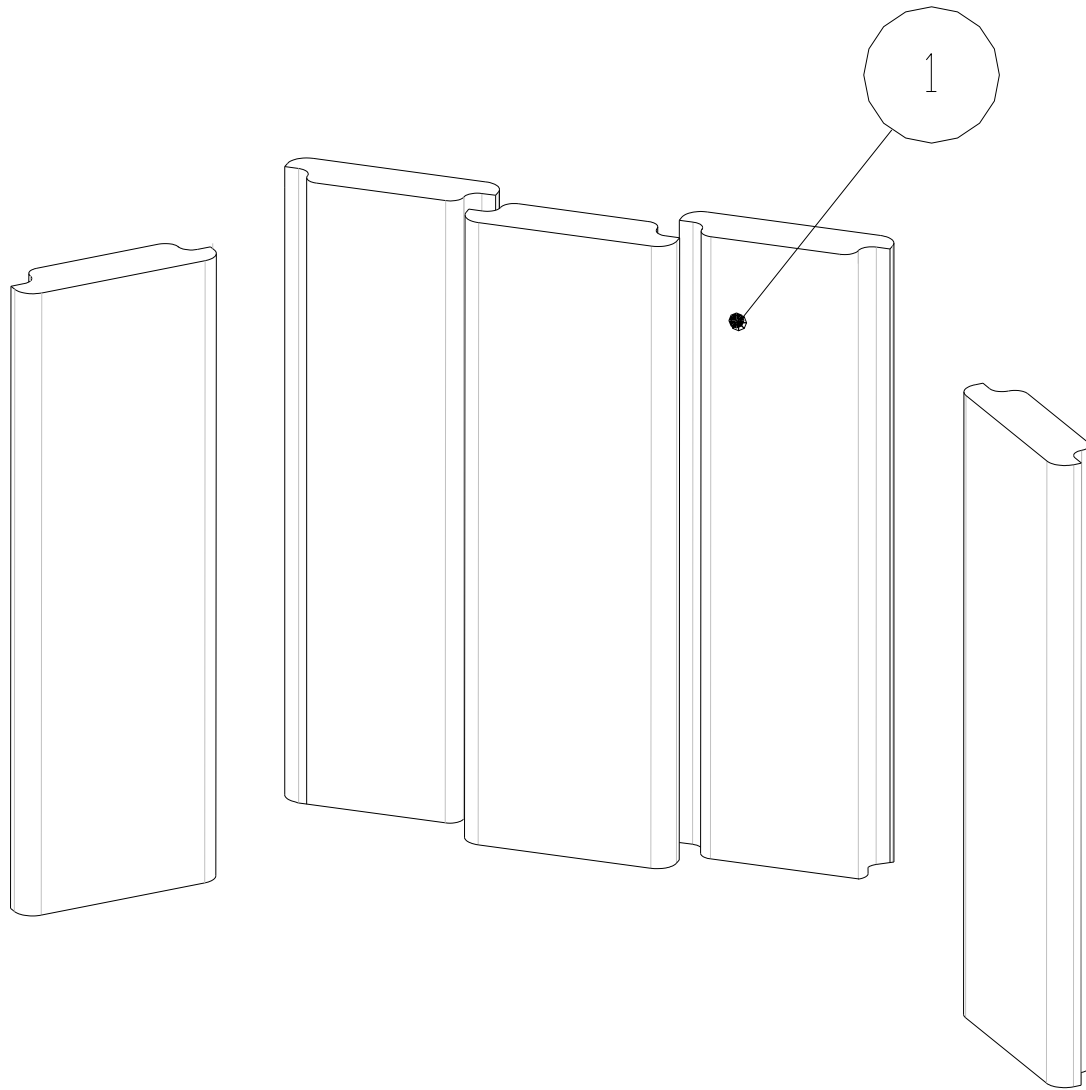
- |   |   |
|---|---|
| <ul style="list-style-type: none"> <li><b>1. Flue bellmouth</b></li> <li><b>2. Deflector</b></li> <li><b>3. Deflector</b></li> <li><b>4. Suction regulativ</b></li> <li><b>5. Control of inlet air regulation for combustion</b></li> <li><b>11. Stand</b></li> </ul> | <ul style="list-style-type: none"> <li><b>6. Grate</b></li> <li><b>7. Ash tray</b></li> <li><b>8. Glass</b></li> <li><b>9. Fire-Bricks</b></li> <li><b>10 External air input</b></li> </ul> |
|---|---|

\*Dimensions are valid when the chimney part on the top of the insert is given a half turn.

**Technical data:**

		Closed firebox
Nominal heat output	kW	14,5
Efficiency	%	84
Volume flow of combustion products	g/s	10,2
Flue-gas temperature	°C	302,3
Min. feed pressure at nom. heat output	Pa	12
Fuel		wood (beech logs)
Fuel consumption per hour	kg/h	3,6
CO emission in burnt gas (in relation to 13% O <sub>2</sub> )	%	0,09
Smoke flue diameter	mm	180
Weight	kg	162

## Assembly of a fire-brick firebox:



### 1. Side face

BeF Home, s.r.o. Kotvrdovice 277 679 07 Kotvrdovice IČO: 25524682	<b>BêF</b> home	CE 08
Type: <b>BeF 730</b> Version: <b>730P, 730R, V730, 730</b> Test number: <b>30-8576</b> Notified person: <b>1015 EN 13229</b> Heat output: <b>14,5kW capacity for heating</b> Efficiency: <b>84%</b> CO emission in burnt gas (in relation to 13% O <sub>2</sub> ): <b>0,09%</b> Burnt gas temperature: <b>302,3°C</b> Distance from adjacent combustible materials: <b>8cm + 10cm thermal insulation</b>		
Fuel: <b>wood (beech logs)</b> <b>Wood-burning fireplace insert for room heating.</b>		
<b>Peruse and keep service instructions!</b> <b>Appliance with short-term combustion process!</b>		

<sup>1)</sup> For details see Installation and Service Instructions