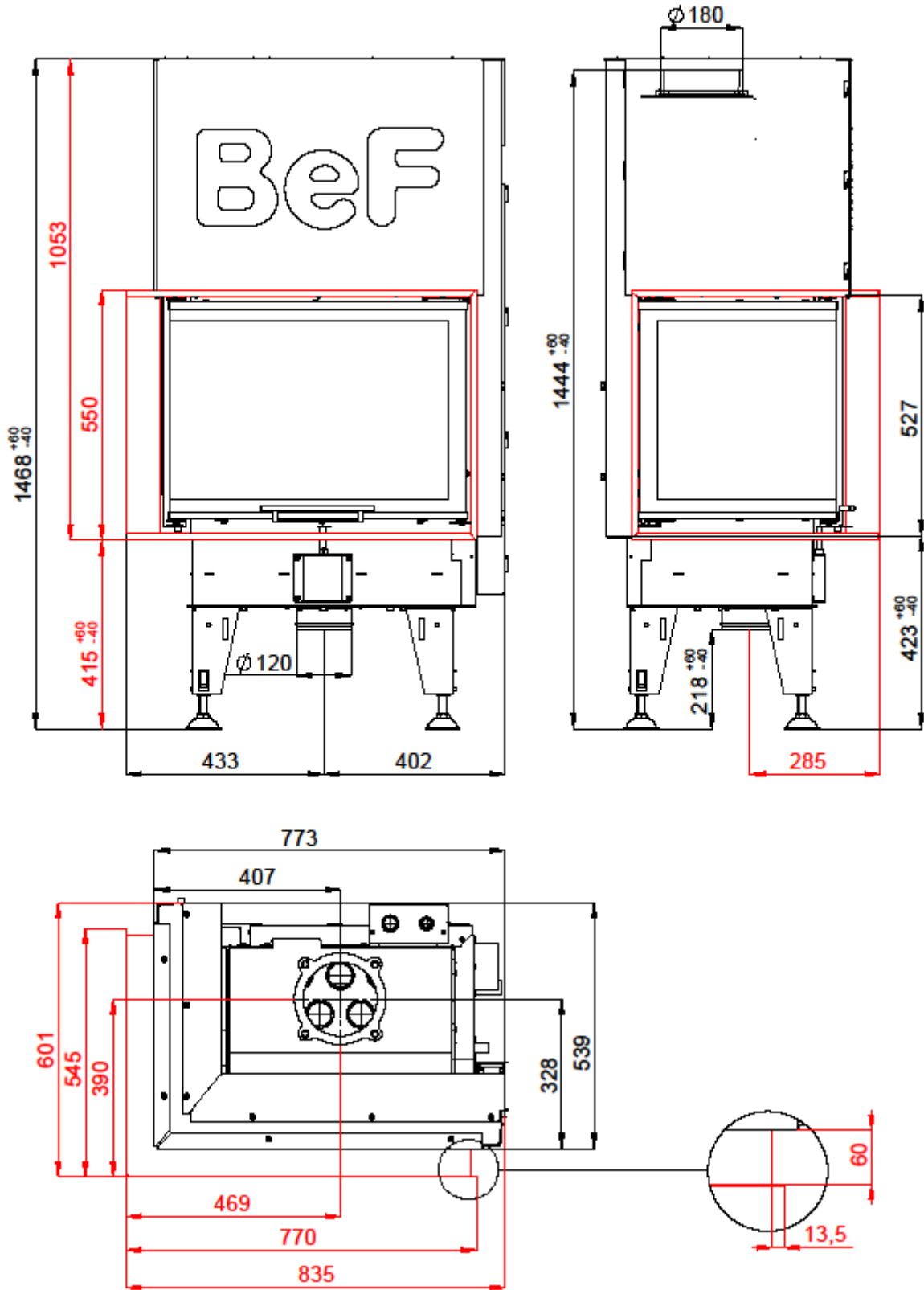


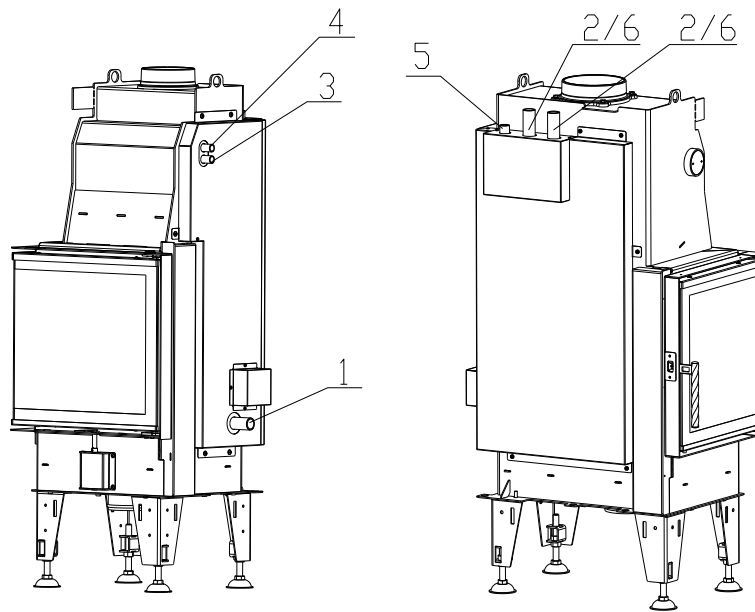
# HOT WATER FIREPLACE INSERT BEF AQUATIC WH V 80 CL IN ACCORDANCE WITH EN 13 229



# HOT WATER FIREPLACE INSERT BEF AQUATIC WH V 80 CL IN ACCORDANCE WITH EN 13 229

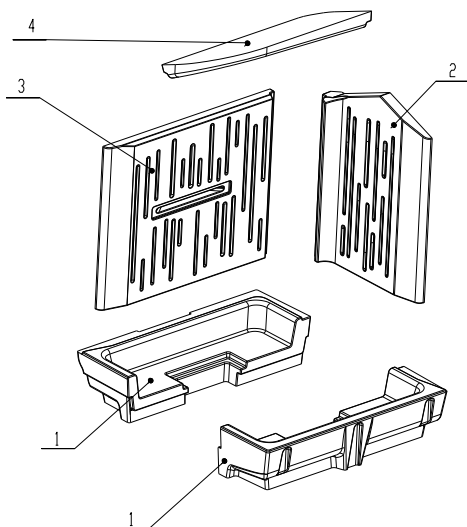
## Technical data:

		Closed firebox
Nominal heat output	kW	14,5
Efficiency	%	84
Output into water	kW	7,5
Volume flow of combustion products	g/s	13,2
Flue-gas temperature	°C	191
Min. feed pressure at nominal heat output	Pa	12
Fuel		wood (beech logs)
Fuel consumption per hour	kg/h	4
CO emission in burnt gas (in relation to 13% O <sub>2</sub> )	%	0,0441
Dust in flue-gas (in relation to 13% O <sub>2</sub> )	mg/Nm <sup>3</sup>	22
Smoke flue diameter	mm	180
Weight	kg	288



- 1 – Cold water input into water exchanger (reverse), external thread 1“
- 2 – Warm water output from water exchanger (rising pipe), external thread 1“
- 3 – Cold water input for coolant loop , external thread 1/2“
- 4 – Warm water output from coolant loop, external thread 1/2“
- 5 – Input for bleed valve, internal thread 1/2”
- 6 – Thermic security sensor, internal thread 1”

## Set of carcon firebox:



## List of spare parts:

1. Bottom
2. Side piece
3. Back
4. Deflector
5. Cast iron grate
6. Ashtray

For details see Installation and Service Instructions.