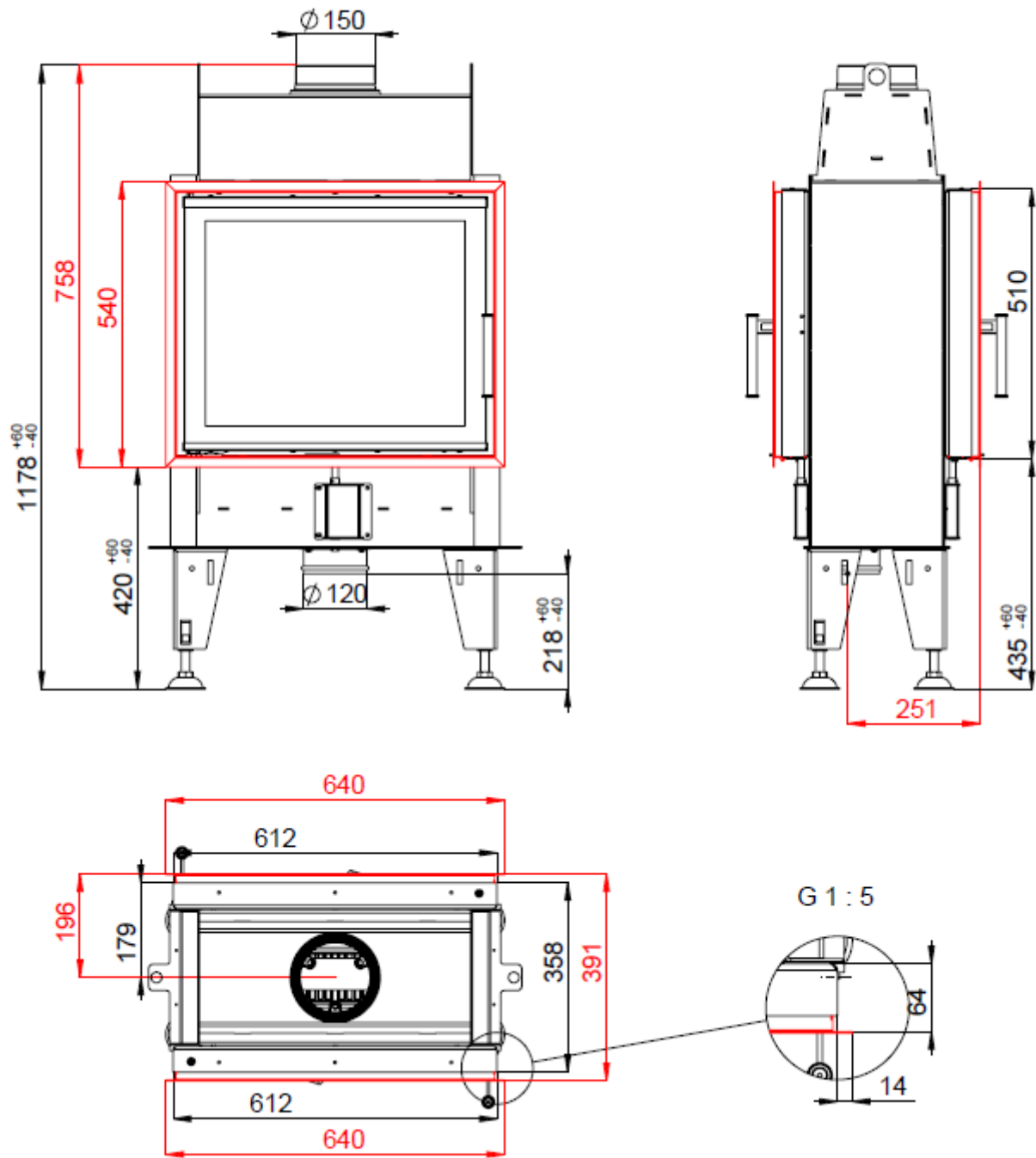


# FIREPLACE INSERT BEF DOUBLE 6 FEEL IN ACCORDANCE WITH EN 13 229

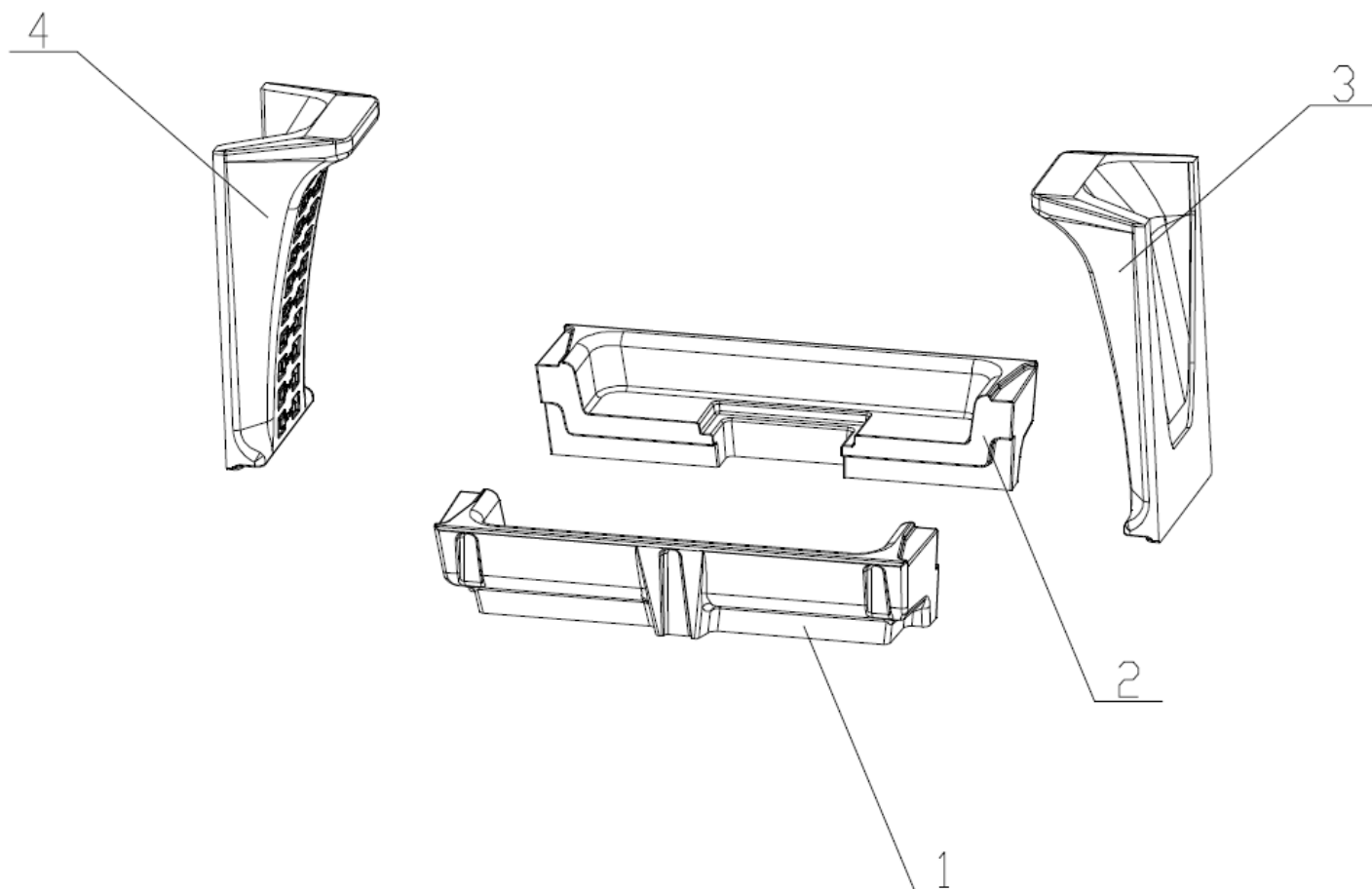


# **FIREPLACE INSERT BEF DOUBLE 6 FEEL** **IN ACCORDANCE WITH EN 13 229**

## **Technical data:**

Nominal heat output	kW	5
Efficiency	%	84
Volume flow of combustion products	g/s	4,3
Flue-gas temperature	°C	206
Min. feed pressure at nominal heat output	Pa	12
Fuel		wood (beech logs)
Fuel consumption per hour	kg/h	1,53
CO emission in burnt gas (in relation to 13% O <sub>2</sub> ) %		0,0946
Dust in flue-gas (in relation to 13% O <sub>2</sub> )	mg/Nm <sup>3</sup>	17
Smoke flue diameter	mm	150
Weight	kg	

## **Set of carcon firebox:**



## **List of spare parts:**

1. Bottom
2. Bottom
3. Side piece
4. Side piece
5. Deflector
6. Cast iron grate
7. Ashtray

For details see Installation and Service Instructions.