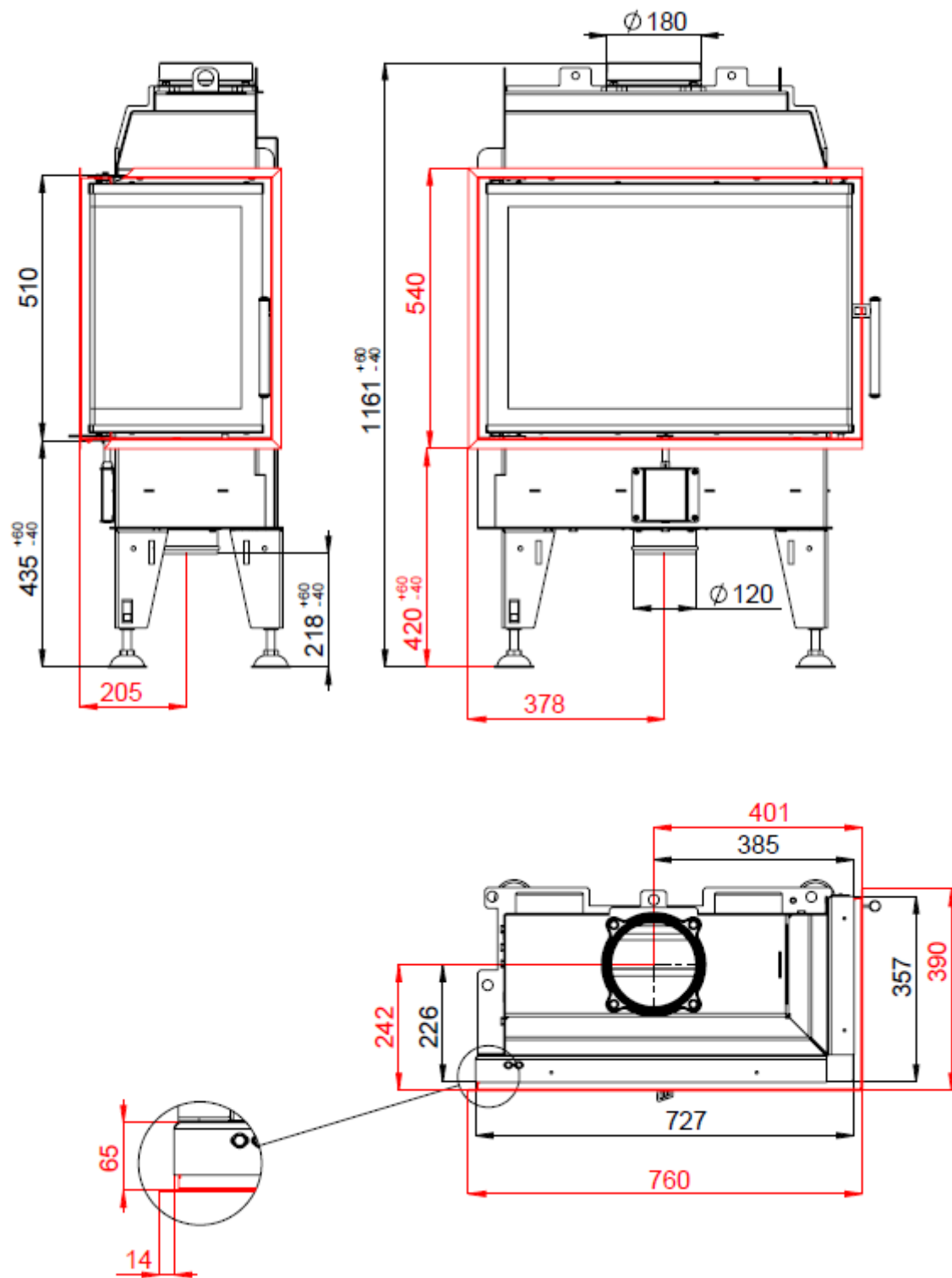


FIREPLACE INSERT BEF FEEL 9 CP IN ACCORDANCE WITH EN 13 229

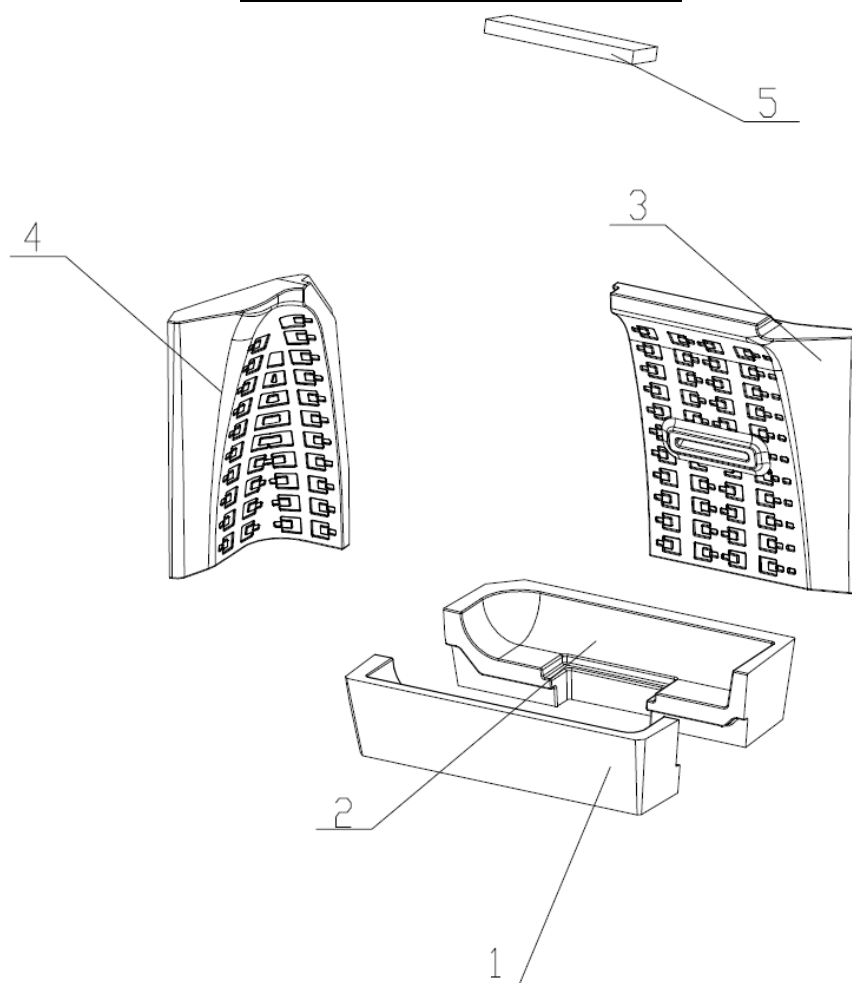


FIREPLACE INSERT BEF FEEL 9 CP **IN ACCORDANCE WITH EN 13 229**

Technical data:

Nominal heat output	kW	8
Efficiency	%	85
Volume flow of combustion products	g/s	6
Flue-gas temperature	°C	212
Min. feed pressure at nominal heat output	Pa	12
Fuel		wood (beech logs)
Fuel consumption per hour	kg/h	2,54
CO emission in burnt gas (in relation to 13% O ₂)	%	0,0932
Dust in flue-gas (in relation to 13% O ₂)	mg/Nm ³	16
Smoke flue diameter	mm	180
Weight	kg	

Set of carcon firebox:



List of spare parts:

1. **Bottom**
2. **Bottom**
3. **Back**
4. **Side piece**
5. **Deflector**
6. **Cast iron grate**
7. **Ashtray**

For details see Installation and Service Instructions.