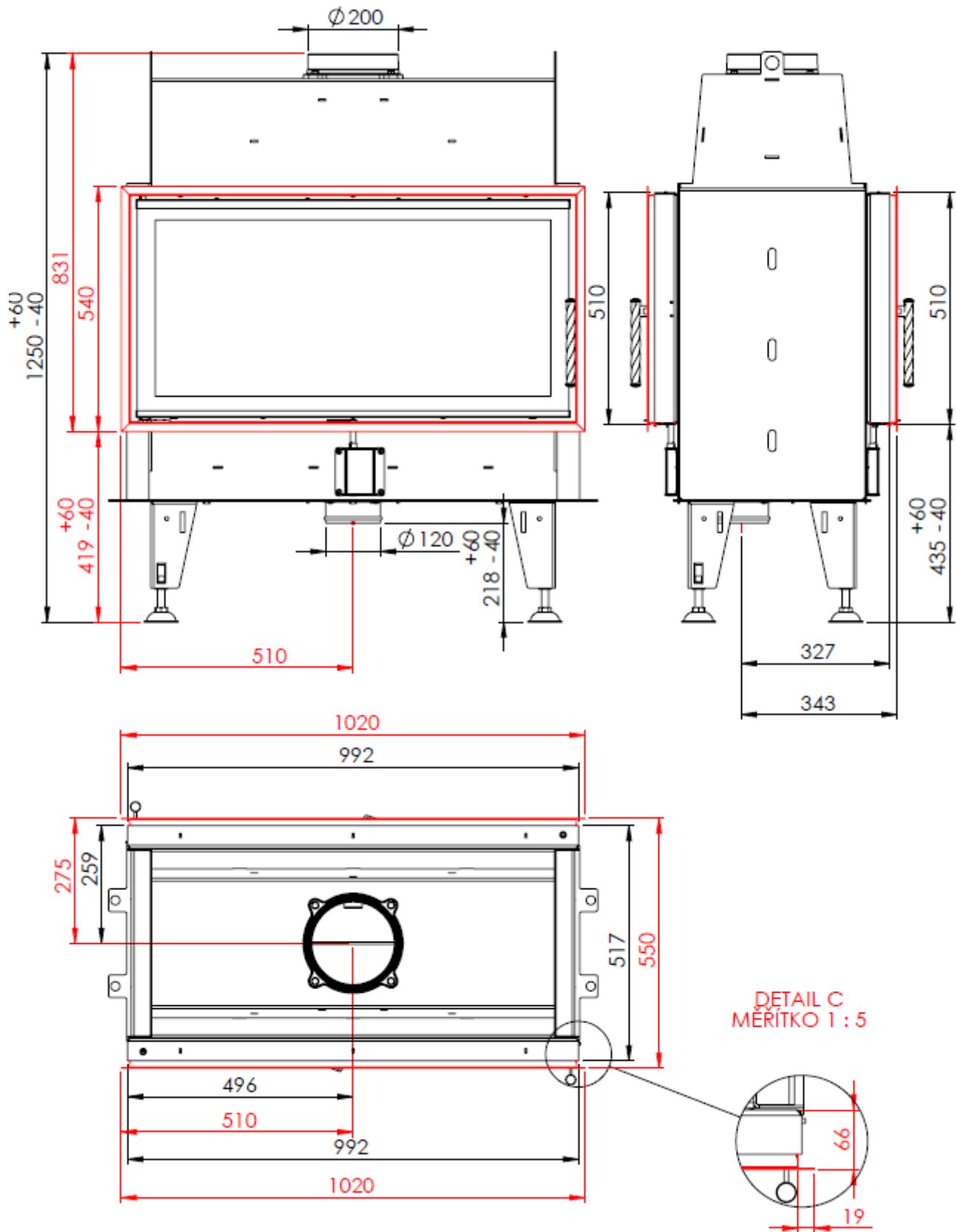


FIREPLACE INSERT BEF TWIN 10 II IN ACCORDANCE WITH EN 13 229

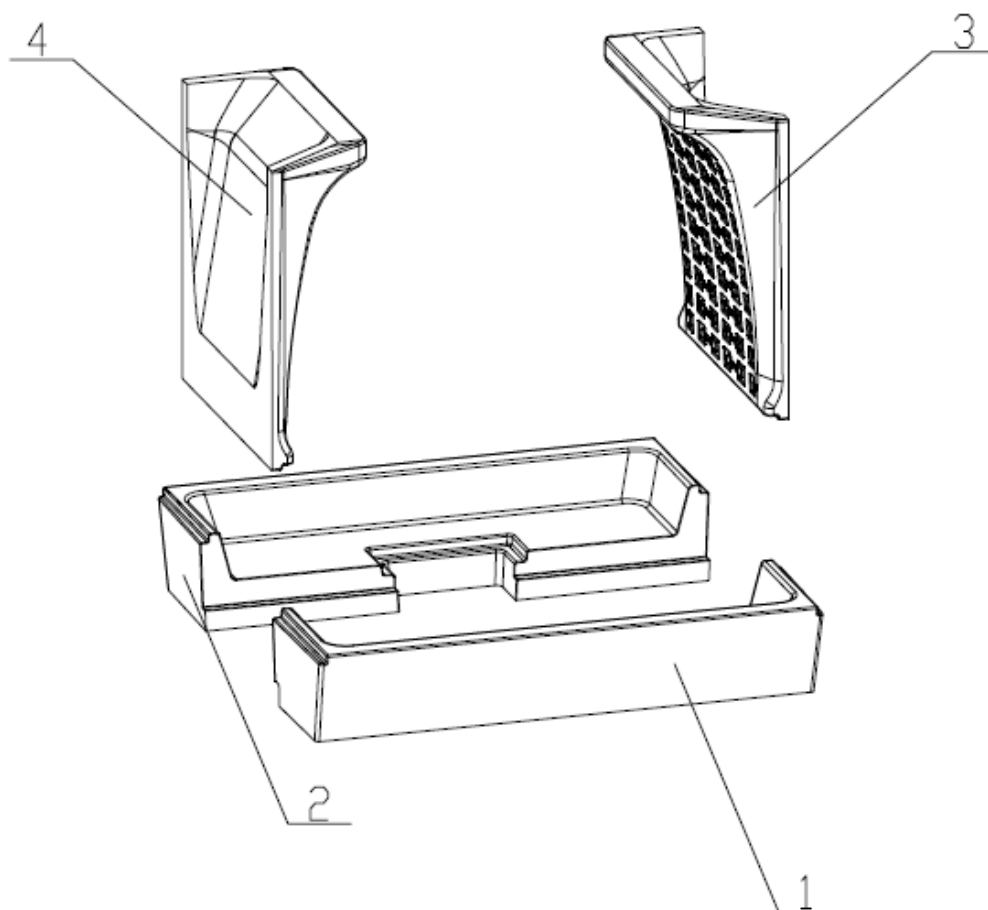


FIREPLACE INSERT BEF TWIN 10 II **IN ACCORDANCE WITH EN 13 229**

Technical data:

Nominal heat output	kW	14
Efficiency	%	83
Volume flow of combustion products	g/s	10,6
Flue-gas temperature	°C	242
Min. feed pressure at nominal heat output	Pa	12
Fuel		wood (beech logs)
Fuel consumption per hour	kg/h	4
CO emission in burnt gas (in relation to 13% O ₂) %		0,098
Dust in flue-gas (in relation to 13% O ₂)	mg/Nm ³	29
Smoke flue diameter	mm	200
Weight	kg	226

Set of carcon firebox:



List of spare parts:

1. Bottom
2. Bottom
3. Side piece
4. Side piece
5. Deflector
6. Cast iron grate
7. Ashtray

For details see Installation and Service Instructions.