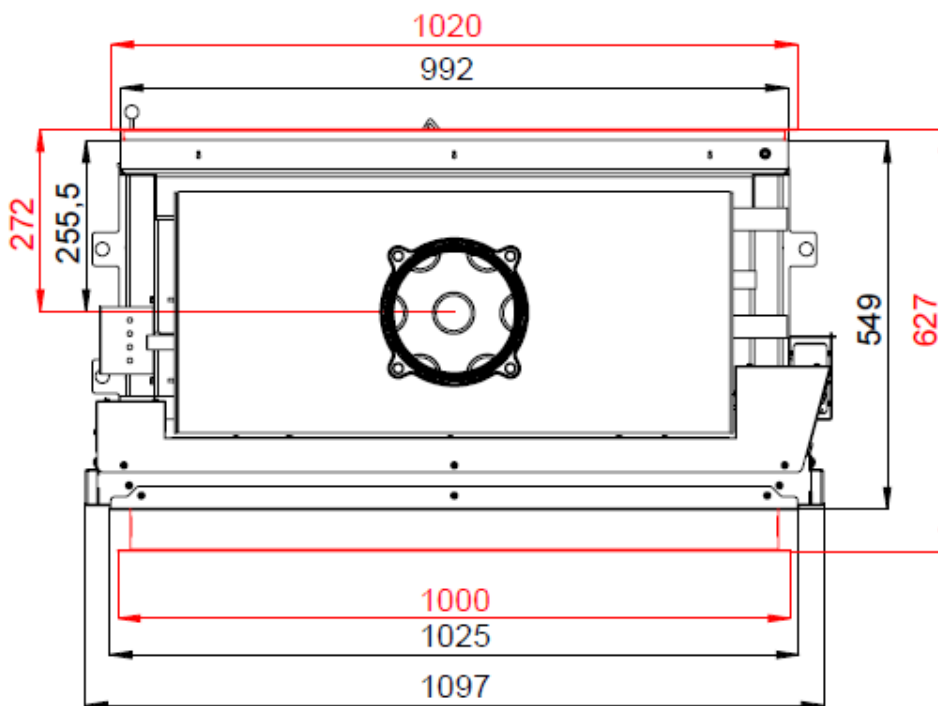
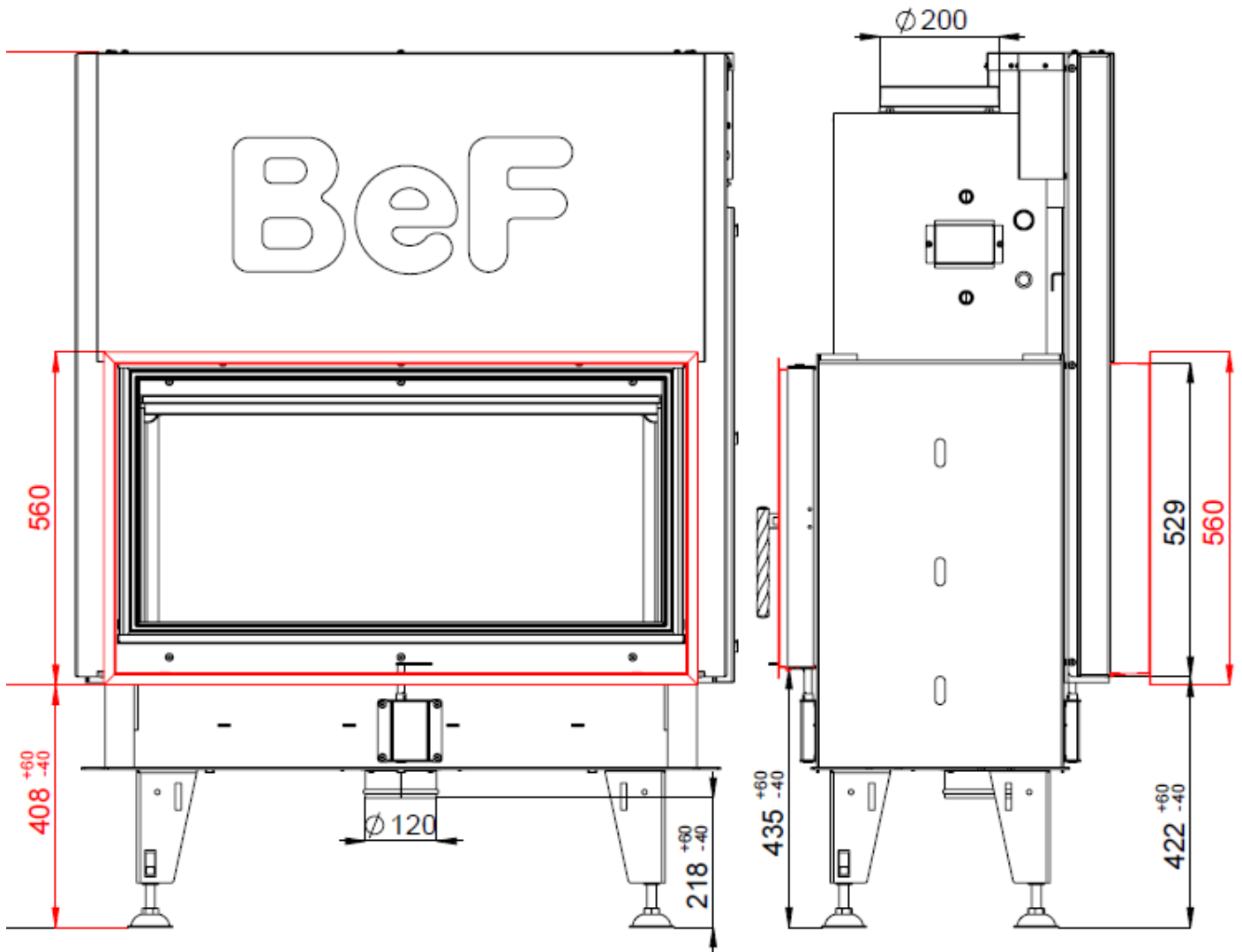


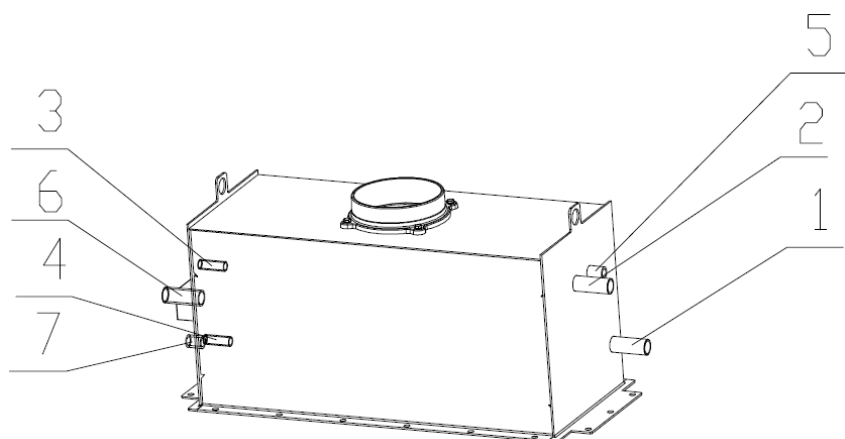
HOT WATER FIREPLACE INSERT BEF TWIN V 10 AQUATIC IN ACCORDANCE WITH EN 13 229



HOT WATER FIREPLACE INSERT BEF TWIN V 10 AQUATIC IN ACCORDANCE WITH EN 13 229

Technical data:

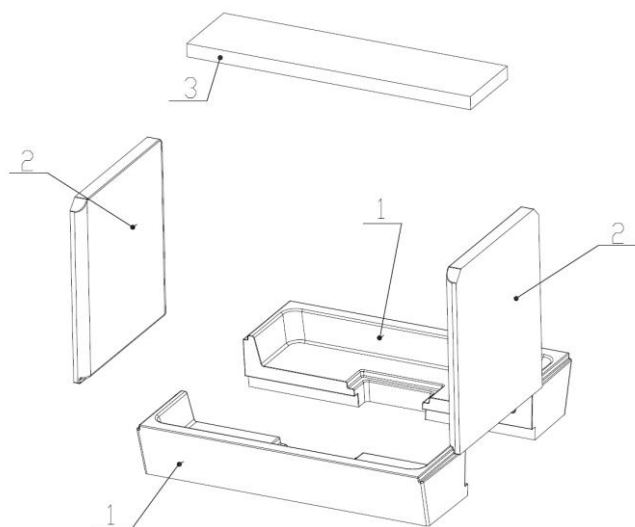
		Closed firebox
Nominal heat output	kW	20
Efficiency	%	85
Output into water	kW	6,6
Volume flow of combustion products	g/s	16,9
Flue-gas temperature	°C	204
Min. feed pressure at nominal heat output	Pa	10
Fuel		wood (beech logs)
Fuel consumption per hour	kg/h	6
CO emission in burnt gas (in relation to 13% O ₂)	%	0,0650
Dust in flue-gas (in relation to 13% O ₂)	mg/Nm ³	26
Smoke flue diameter	mm	200
Weight	kg	



- 1 – Cold water input into water exchanger (reverse), external thread 1“
- 2 – Warm water output from water exchanger (rising pipe), external thread 1“
- 3 – Cold water input for coolant loop, external thread 1/2“
- 4 – Warm water output from coolant loop, external thread 1/2“
- 5 – Input for air bleed valve, internal thread 1/2“
- 6 – Thermic security sensor, external thread 1“
- 7 – Pressure valve, internal thread 1/2“

Set of carcon firebox:

List of spare parts:



- 1. Bottom
- 2. Side piece
- 3. Deflector
- 4. Cast iron grate
- 5. Ashtray

For details see Installation and Service Instructions.