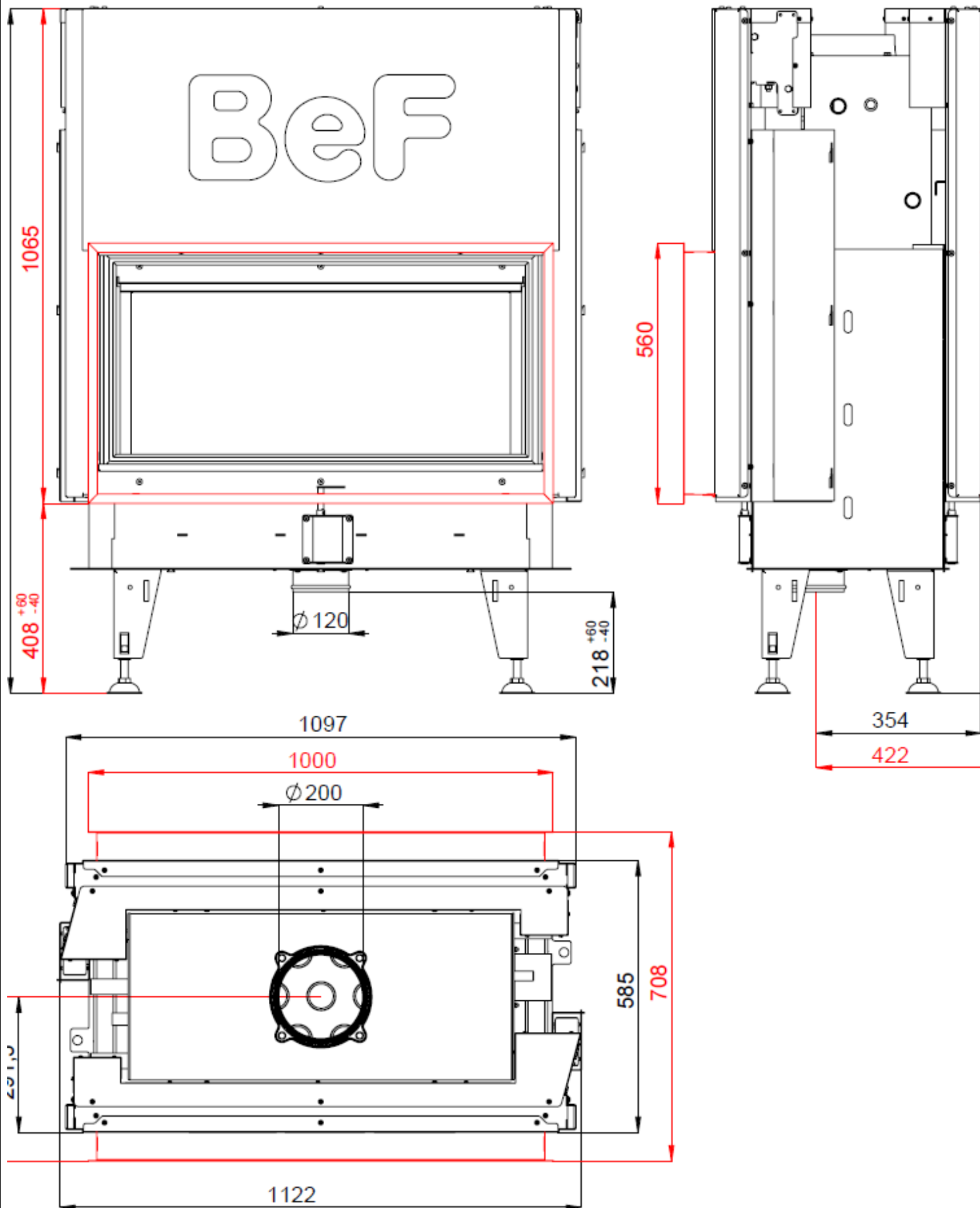


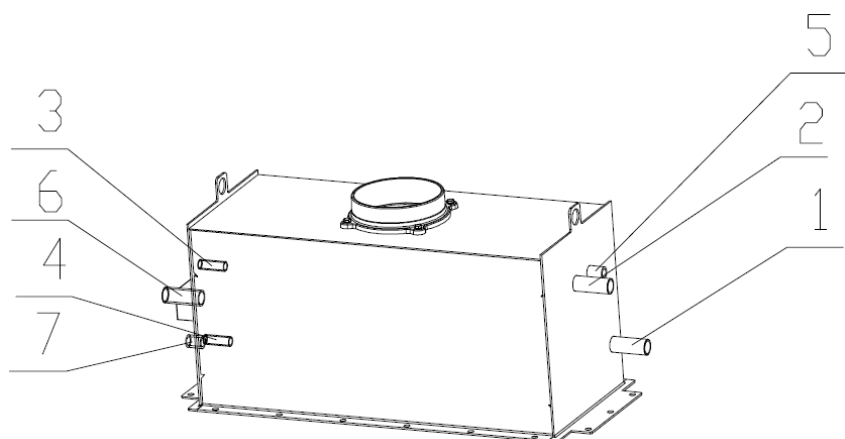
HOT WATER FIREPLACE INSERT BEF TWIN VV 10 AQUATIC IN ACCORDANCE WITH EN 13 229



HOT WATER FIREPLACE INSERT BEF TWIN VV 10 AQUATIC IN ACCORDANCE WITH EN 13 229

Technical data:

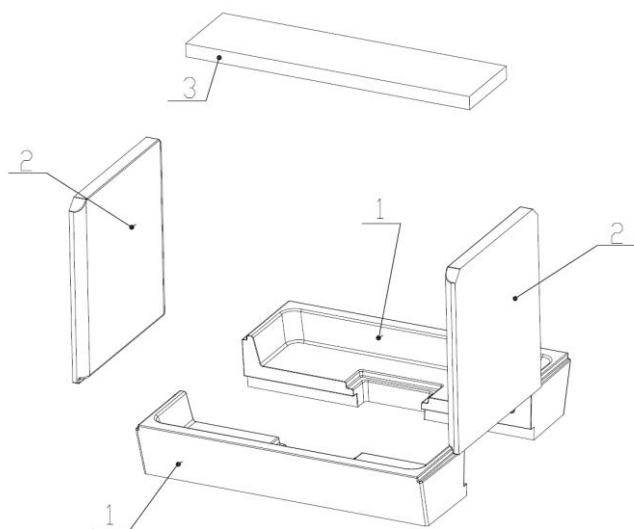
		Closed firebox
Nominal heat output	kW	20
Efficiency	%	85
Output into water	kW	6,6
Volume flow of combustion products	g/s	16,9
Flue-gas temperature	°C	204
Min. feed pressure at nominal heat output	Pa	10
Fuel		wood (beech logs)
Fuel consumption per hour	kg/h	6
CO emission in burnt gas (in relation to 13% O ₂)	%	0,0650
Dust in flue-gas (in relation to 13% O ₂)	mg/Nm ³	26
Smoke flue diameter	mm	200
Weight	kg	



- 1 – Cold water input into water exchanger (reverse), external thread 1“
- 2 – Warm water output from water exchanger (rising pipe), external thread 1“
- 3 – Cold water input for coolant loop, external thread 1/2“
- 4 – Warm water output from coolant loop, external thread 1/2“
- 5 – Input for air bleed valve, internal thread 1/2“
- 6 – Thermic security sensor, external thread 1“
- 7 – Pressure valve, internal thread 1/2“

Set of carcon firebox:

List of spare parts:



- 1. Bottom
- 2. Side piece
- 3. Deflector
- 4. Cast iron grate
- 5. Ashtray

For details see Installation and Service Instructions.