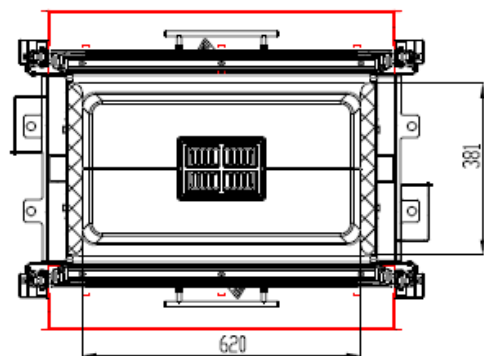
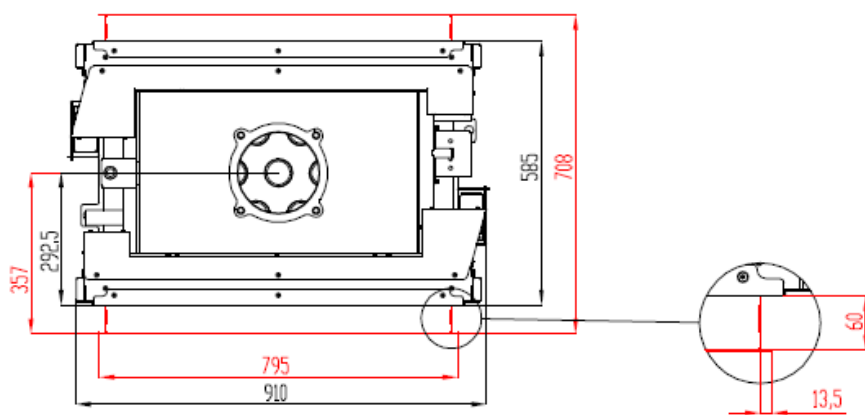
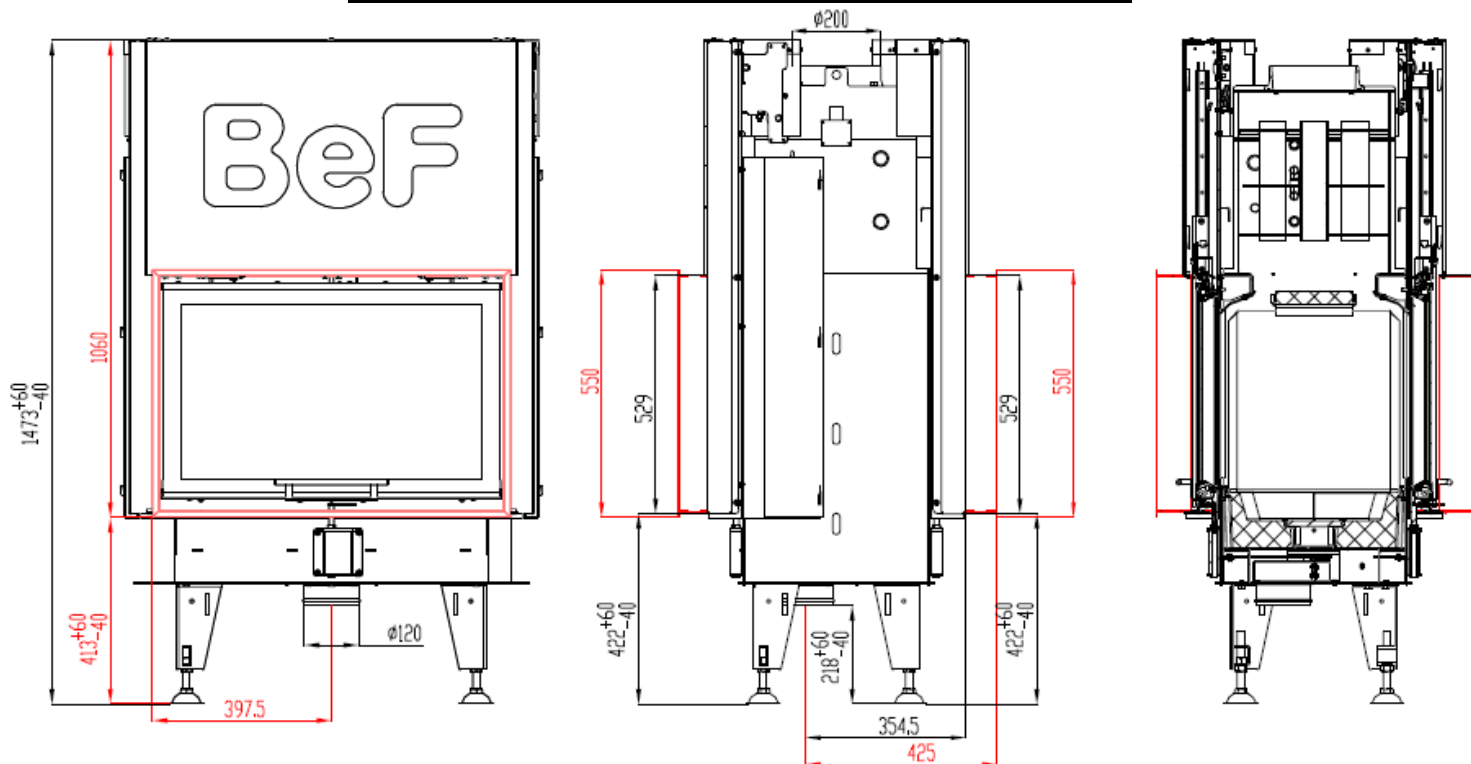


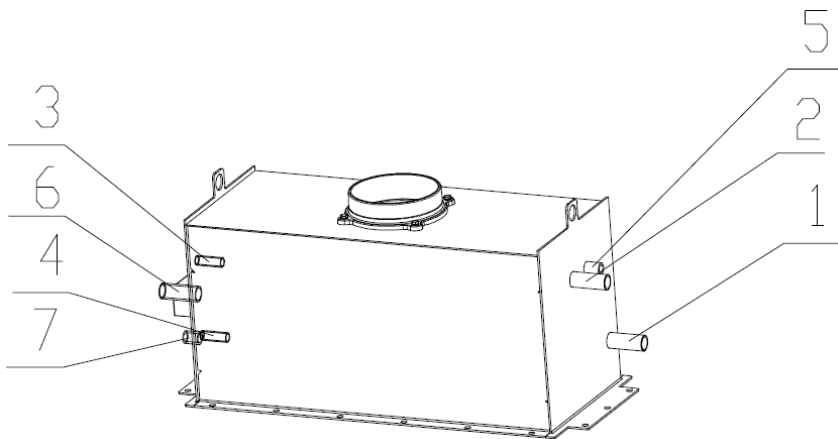
# HOT WATER FIREPLACE INSERT BEF TWIN VV 8 AQUATIC IN ACCORDANCE WITH EN 13 229



# HOT WATER FIREPLACE INSERT BEF TWIN VV 8 AQUATIC IN ACCORDANCE WITH EN 13 229

**Technical data:**

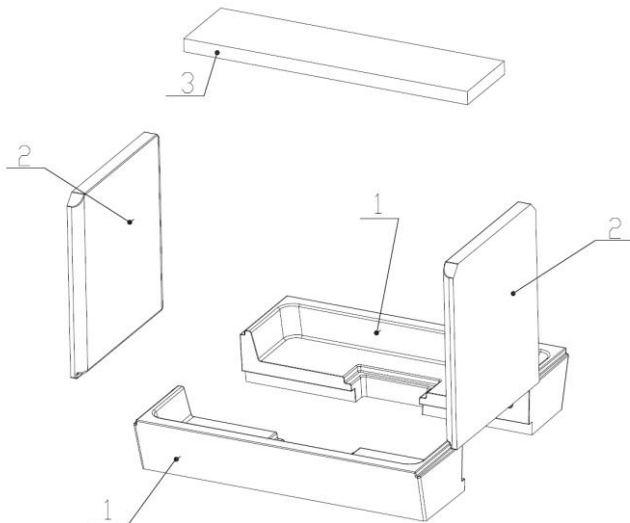
		Closed firebox
Nominal heat output	kW	14,5
Efficiency	%	84
Output into water	kW	4,8
Volume flow of combustion products	g/s	12,4
Flue-gas temperature	°C	213
Min. feed pressure at nominal heat output	Pa	12
Fuel		wood (beech logs)
Fuel consumption per hour	kg/h	4
CO emission in burnt gas (in relation to 13% O <sub>2</sub> )	%	0,0624
Dust in flue-gas (in relation to 13% O <sub>2</sub> )	mg/Nm <sup>3</sup>	37
Smoke flue diameter	mm	200
Weight	kg	299



- 1 – Cold water input into water exchanger (reverse), external thread 1“
- 2 – Warm water output from water exchanger (rising pipe), external thread 1“
- 3 – Cold water input for coolant loop, external thread 1/2“
- 4 – Warm water output from coolant loop, external thread 1/2“
- 5 – Input for air bleed valve, internal thread 1/2“
- 6 – Thermic security sensor, external thread 1“
- 7 – Pressure valve, internal thread 1/2“

**Set of carcon firebox:**

**List of spare parts:**



- 1. **Bottom**
- 2. **Side piece**
- 3. **Deflector**
- 4. **Cast iron grate**
- 5. **Ashtray**

For details see Installation and Service Instructions.