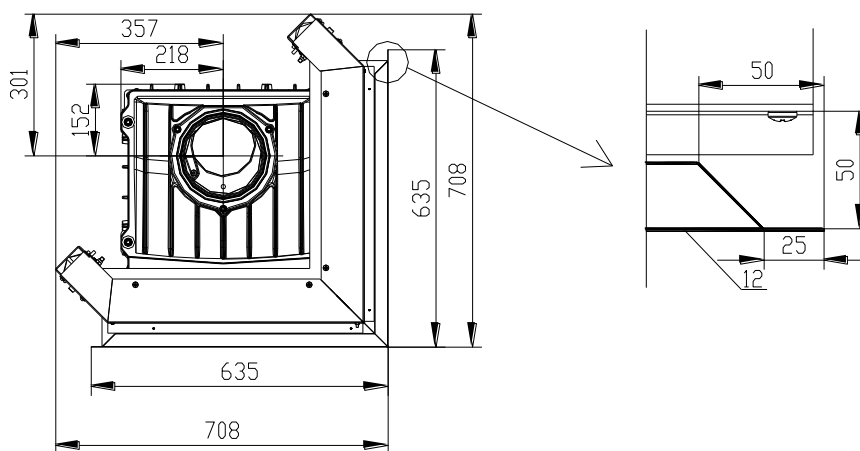
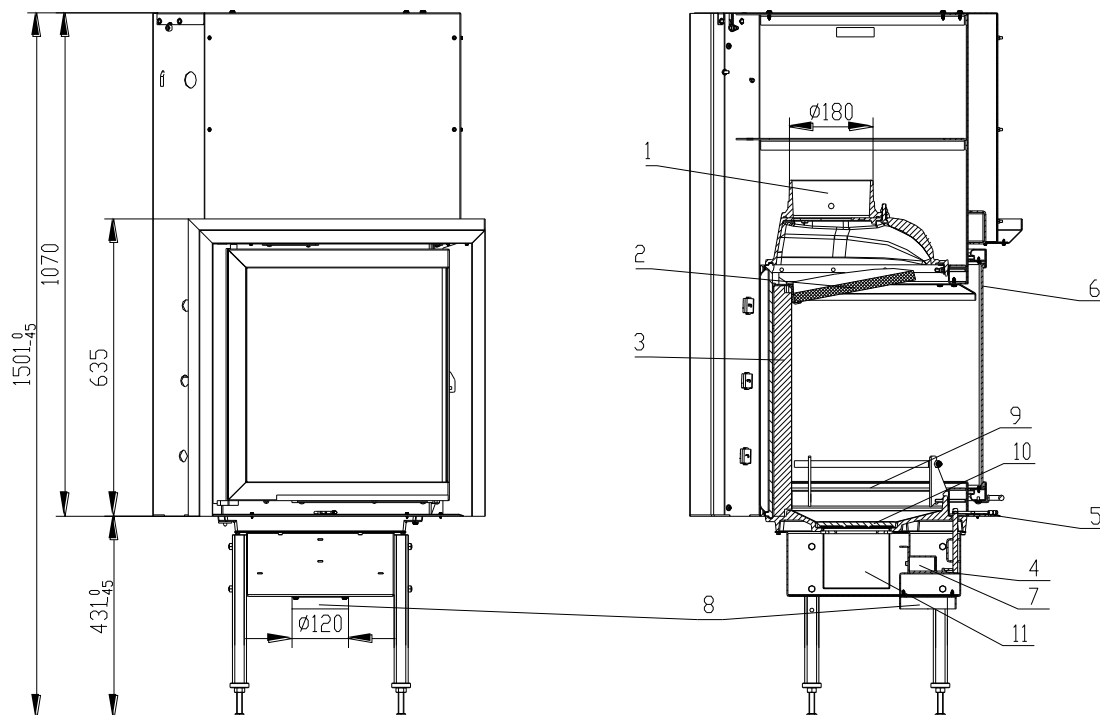


FIREPLACE INSERT BeF V450E in accordance with EN 13 229 – W

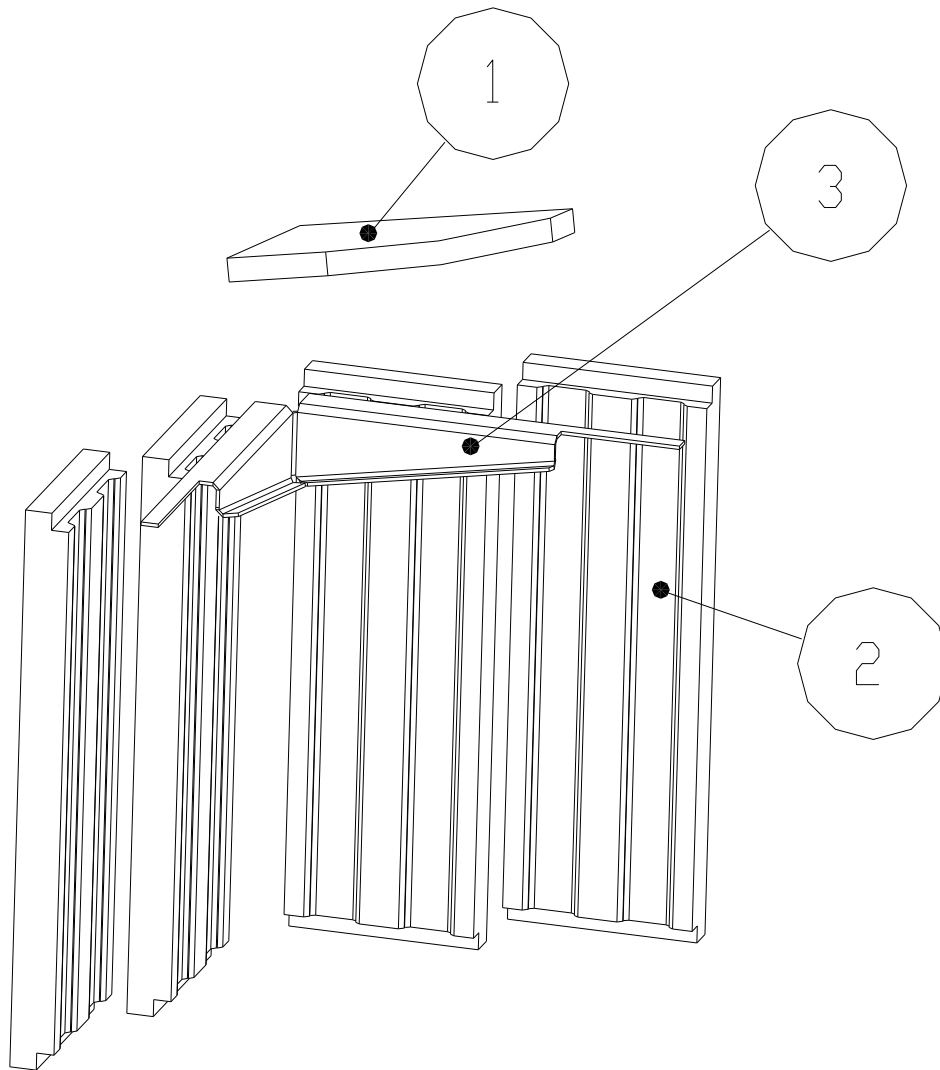


- | | |
|--|---|
| <ul style="list-style-type: none"> 1. Flue bellmouth 2. Deflector 3. Fire-Bricks 4. Inlet regulativ 5. Control of inlet air regulation for combustion 6. Glass | <ul style="list-style-type: none"> 7. Primary chamber 8. External air input 9. Barrier 10. Grate 11. Ash Tray 12. Frame |
|--|---|

Technical data:

		Closed firebox
Nominal heat output	kW	7
Efficiency	%	78
Volume flow of combustion products	g/s	6,9
Flue-gas temperature	°C	344
Min. feed pressure at nom. heat output	Pa	11
Fuel		wood (beech logs)
Fuel consumption per hour	kg/h	2,2
CO emission in burnt gas (in relation to 13% O ₂)	%	0.1
Smoke flue diameter	mm	180
Weight	kg	192

Assembly of a fire-brick firebox:



- 1 Deflector – Grenamat
- 2 Side face
- 3 Deflector holder

BeF Home, s.r.o. Kotvrdovice 277 679 07 Kotvrdovice IČO: 25524682	BeF home	CE 07
Type: BeF450 Version: 450, 450E, V450E Test number: 30-7005 Notified person: 1015 EN 13229 Heat output: 7 kW capacity for heating Efficiency: 78% CO emission in burnt gas (in relation to 13% O ₂): 0,1% Burnt gas temperature: 344°C Distance from adjacent combustible materials: 8cm + 10cm thermal insulation		
Fuel: wood (beech logs) Wood-burning fireplace insert for room heating.		
Peruse and keep service instructions! Appliance with short-term combustion process!		

¹⁾ For details see Installation and Service Instructions