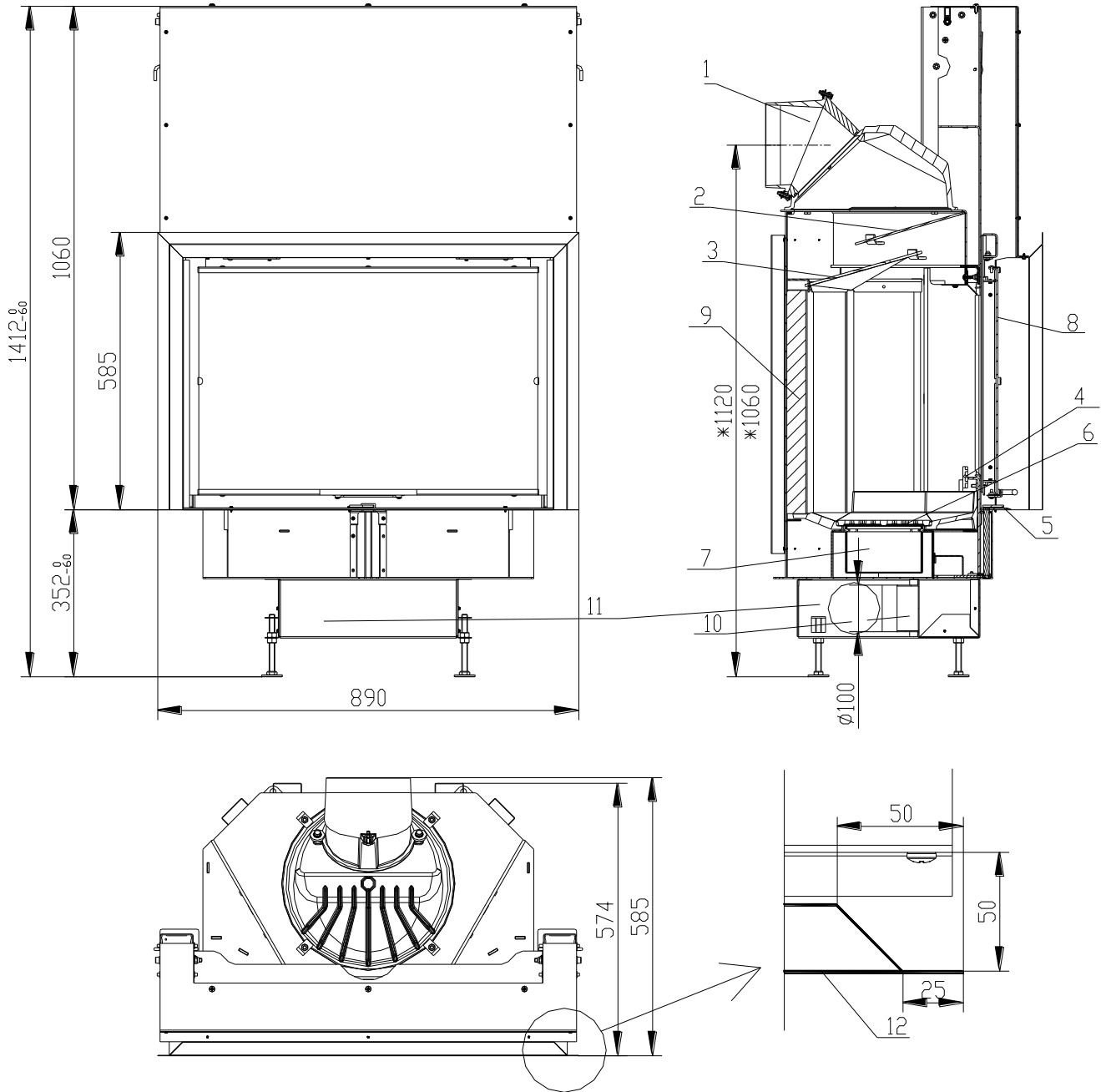


FIREPLACE INSERT BeF V730 Black Art in accordance with EN 13 229 – W



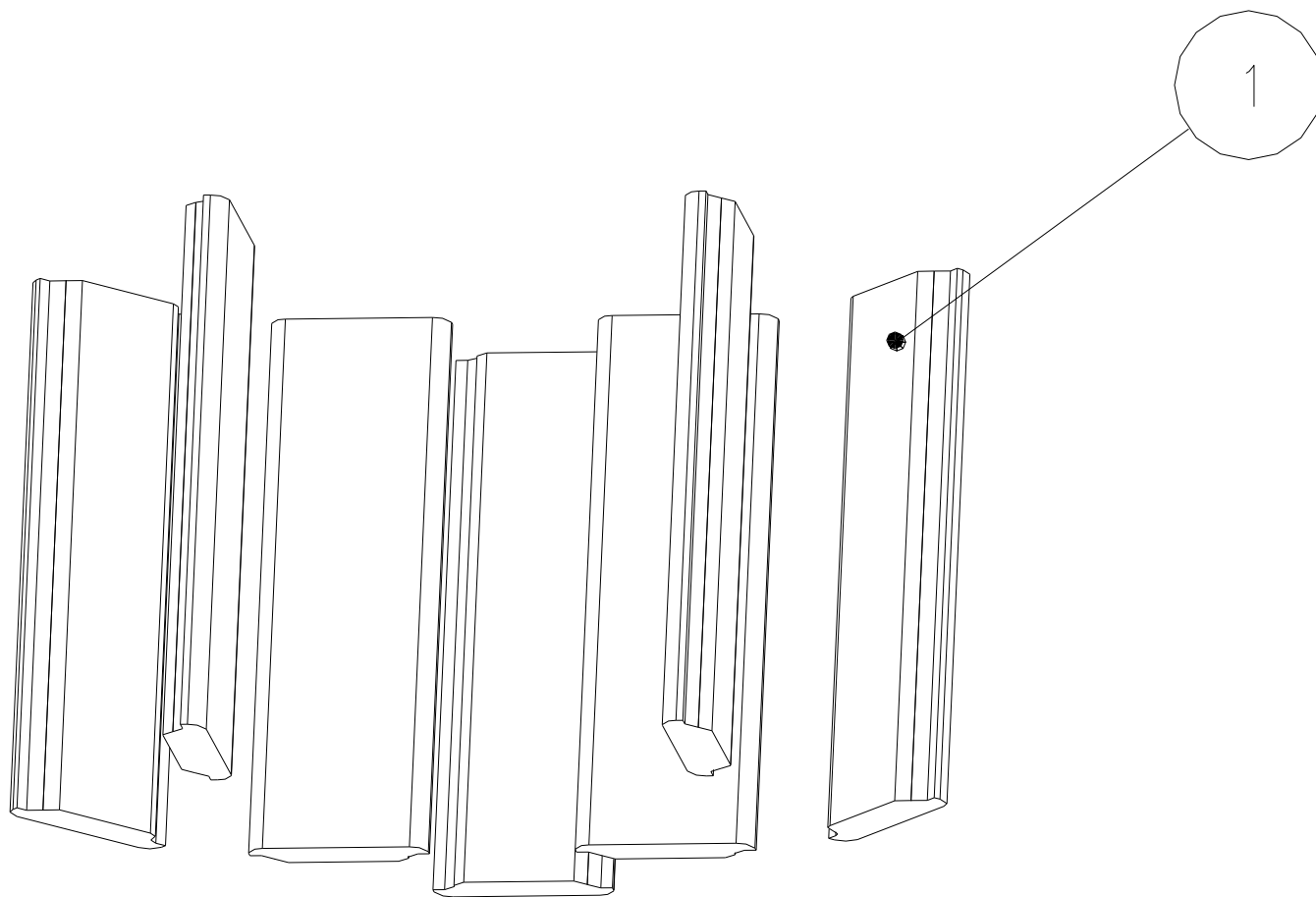
- | | |
|---|--|
| <p>1. Flue bellmouth</p> <p>2. Deflector</p> <p>3. Deflector</p> <p>4. Barrier</p> <p>5. Control of inlet air regulation for combustion</p> <p>6. Grate</p> | <p>7. Ash tray</p> <p>8. Glass</p> <p>9. Fire-Bricks</p> <p>10. External air input</p> <p>11. Stand</p> <p>12. Frame</p> |
|---|--|

*Dimensions are valid when the chimney part on the top of the insert is given a half turn.

Technical data:

		Closed firebox
Nominal heat output	kW	14,5
Efficiency	%	84
Volume flow of combustion products	g/s	10,2
Flue-gas temperature	°C	302,3
Min. feed pressure at nom. heat output	Pa	12
Fuel		wood (beech logs)
Fuel consumption per hour	kg/h	3,6
CO emission in burnt gas (in relation to 13% O ₂)	%	0,09
Smoke flue diameter	mm	180
Weight	kg	212

Assembly of a fire-brick firebox:



1.Side face

BeF Home, s.r.o. Kotvrdovice 277 679 07 Kotvrdovice IČO: 25524682	BeF home	CE 08
Type: BeF 730 Version: 730P, 730R, V730, 730 Test number: 30-8576 Notified person: 1015 EN 13229 Heat output: 14,5kW capacity for heating Efficiency: 84% CO emission in burnt gas (in relation to 13% O ₂): 0,09% Burnt gas temperature: 302,3°C Distance from adjacent combustible materials: 8cm + 10cm thermal insulation		
Fuel: wood (beech logs) Wood-burning fireplace insert for room heating.		
Peruse and keep service instructions! Appliance with short-term combustion process!		

¹⁾ For details see Installation and Service Instructions