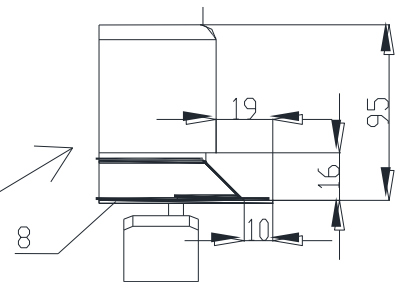
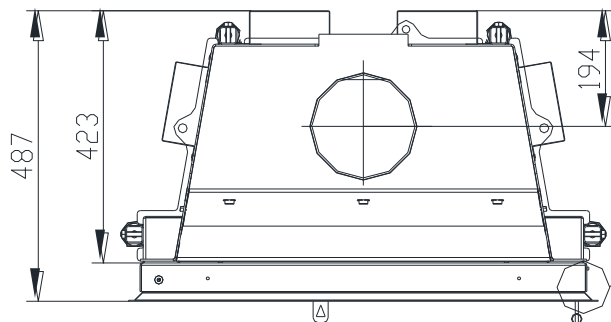
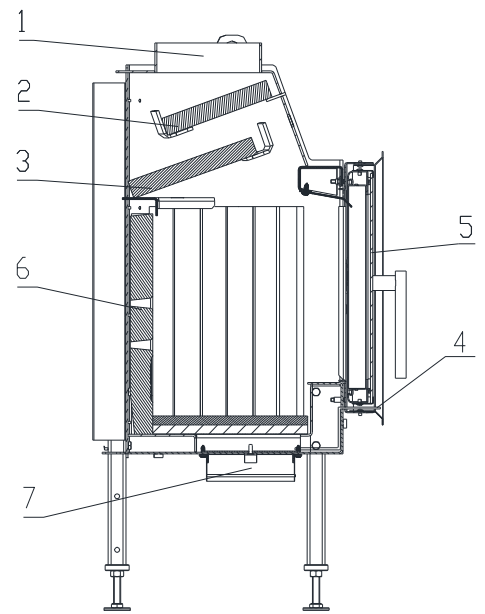
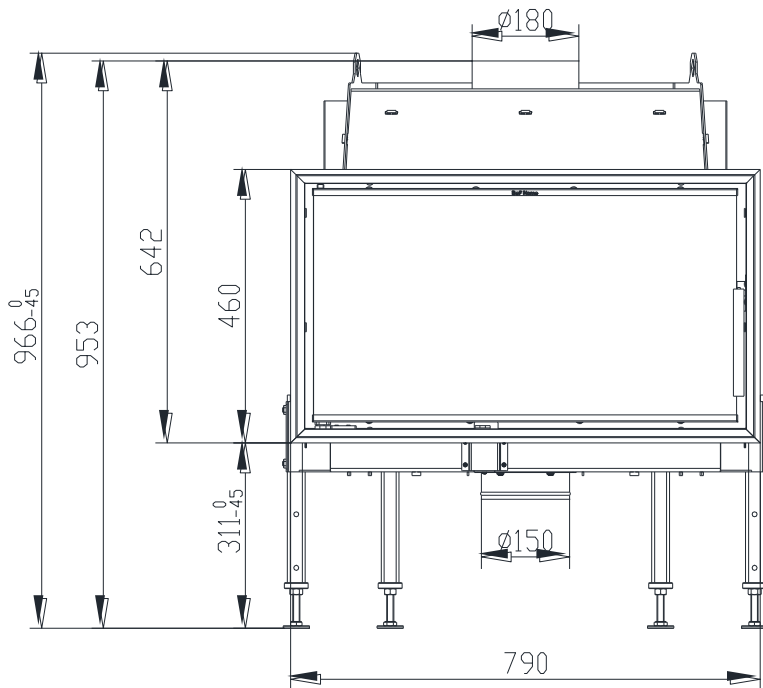


FIREPLACE INSERT INTER 7 in accordance with EN 13 229 - W



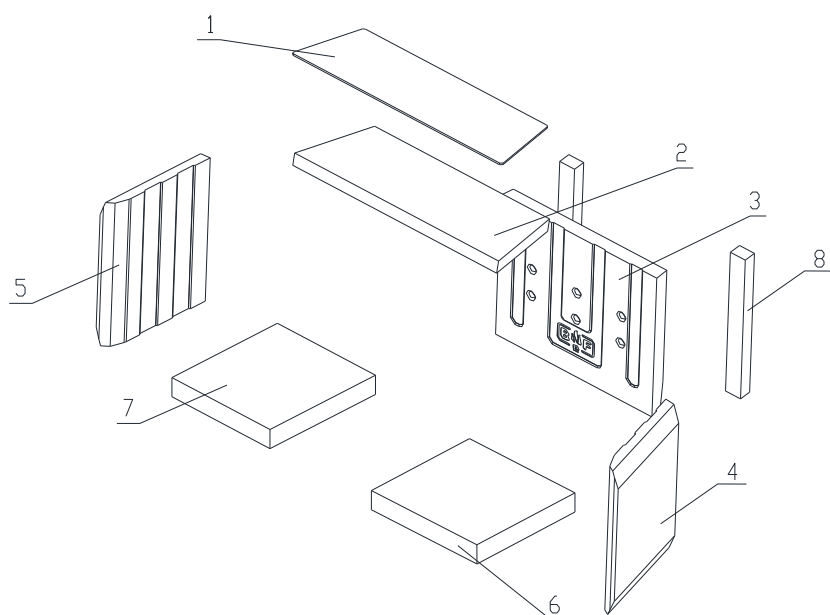
- 1. Smoke flue bellmouth**
- 2. Deflector**
- 3. Deflector**
- 4. Inlet regulativ**

- 5. Glass**
- 6. Refractory concrete**
- 7. External air input**
- 8. Frame**

Technical data:

Nominal heat output	kW	9,5
Efficiency	%	80
Volume flow of combustion products	g/s	7,6
Flue-gas temperature	°C	273
Min. feed pressure at nom. heat output	Pa	10
Fuel	wood (beech logs)	
Fuel consumption per hour	kg/h	2,8
CO emission in burnt gas (in relation to 13% O ₂) %		0,0606
Smoke flue diameter	mm	180
Weight	kg	102

Assembly of a fire-brick firebox:



- 1,2 – deflector
- 3 - Back side
- 4,5 – Side wall
- 6 – Right base
- 7 – Left base
- 8- Back insert

BeF Home, s.r.o. Kotvrdovice 277 679 07 Kotvrdovice IČO: 25524682	BêF home	CE	12
Type: INTER 7 Version: 7, V7, Test number: 30-11485 Notified person: 1015 EN 13229 Heat output: 9,5 kW capacity for heating Efficiency: 80 % CO emission in burnt gas (in relation to 13% O ₂): 0,0606 % Burnt gas temperature: 273 °C Distance from adjacent combustible materials: 8cm + 10cm thermal insulation			
Fuel: wood (beech logs) Wood-burning fireplace insert for room heating.			
Peruse and keep service instructions! Appliance with short-term combustion process!			

¹⁾ For details see Installation and Service Instructions