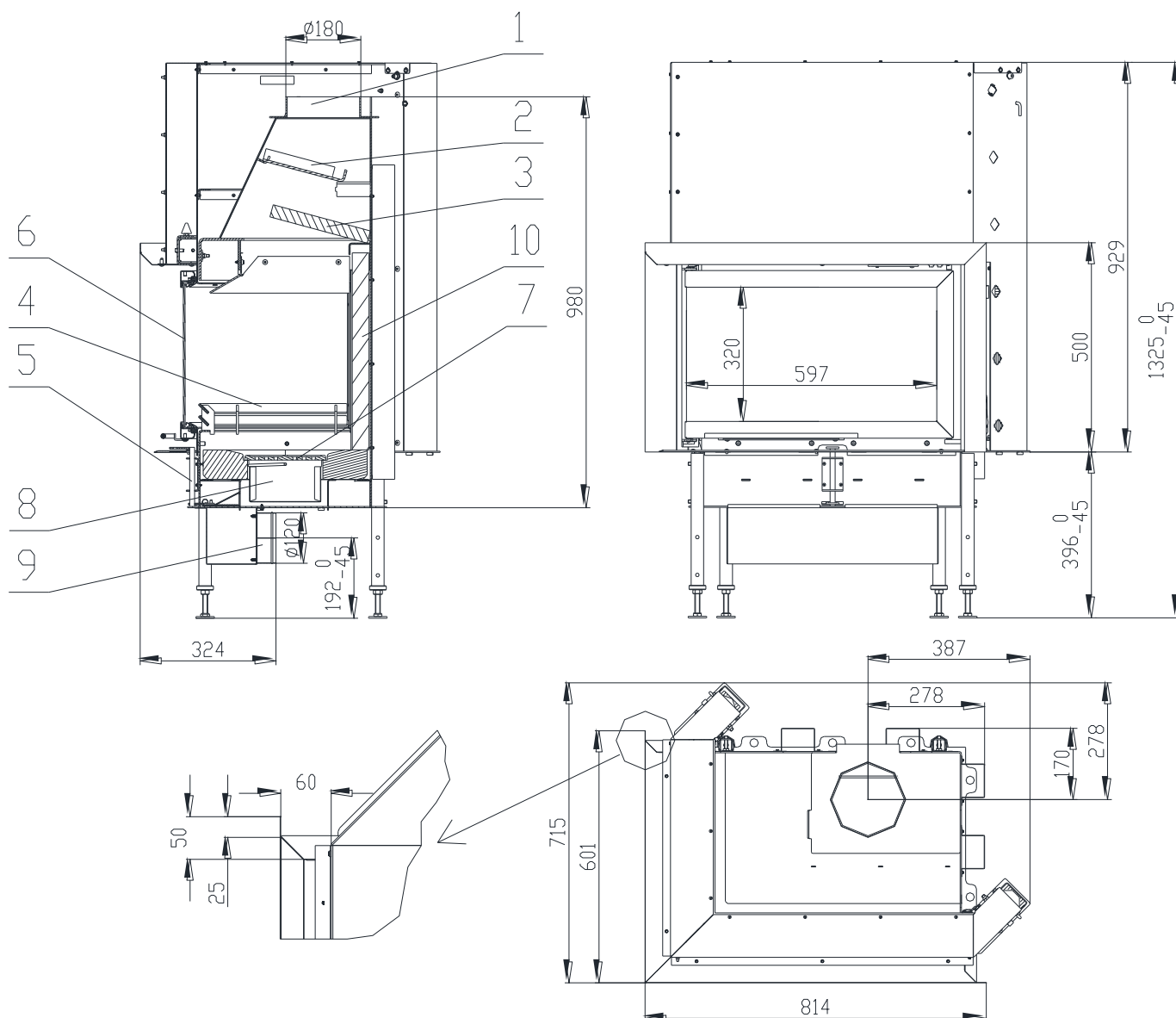


FIREPLACE INSERT INTER V8CL in accordance with EN 13 229 - W



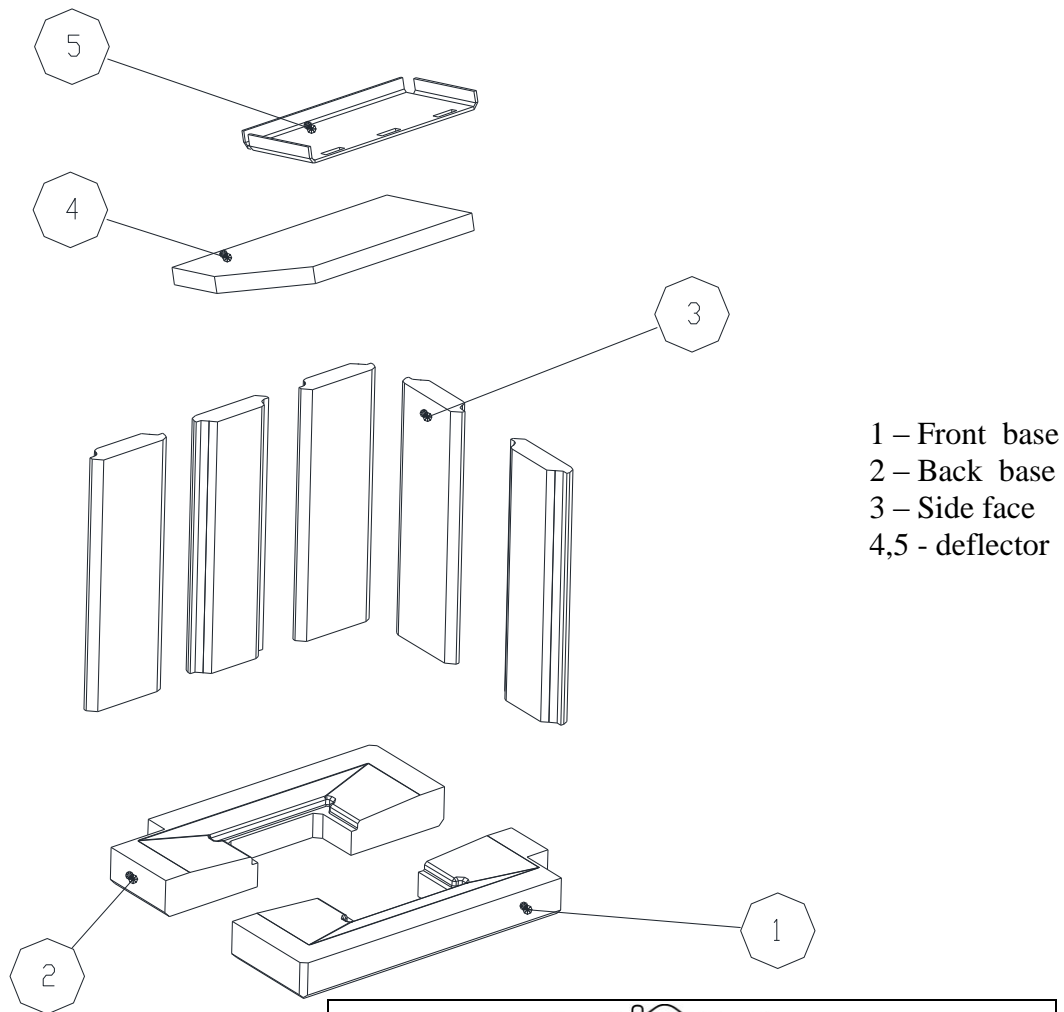
- 1. Smoke flue bellmouth**
- 2. Deflector**
- 3. Deflector Carcon**
- 4. Barrier**
- 5. Inlet regulativ**

- 6. Glass**
- 7. Grate**
- 8. Ash Tray**
- 9. External air input**
- 10. Refractory concrete Carcon**

Technical data:

Nominal heat output	kW	13
Efficiency	%	80
Volume flow of combustion products	g/s	10,2
Flue-gas temperature	°C	280
Min. feed pressure at nom. heat output	Pa	10
Fuel		wood (beech logs)
Fuel consumption per hour	kg/h	3,8
CO emission in burnt gas (in relation to 13% O ₂) %		0,067
Smoke flue diameter	mm	180
Weight	kg	220

Assembly of a fire-brick firebox:



BeF Home, s.r.o. Kotvrdovice 277 679 07 Kotvrdovice IČO: 25524682	BÊF home	CE	12
Type: INTER 8 Version: 8, V8, V8CL, V8CP, V8C, 8CP, 8CL, 8C Test number: 30-11485/1 Notified person: 1015 EN 13229 Heat output: 13 kW capacity for heating Efficiency: 80 % CO emission in burnt gas (in relation to 13% O ₂): 0,067 % Burnt gas temperature: 280 °C Distance from adjacent combustible materials: 8cm + 10cm thermal insulation			
Fuel: wood (beech logs) Wood-burning fireplace insert for room heating.			
Peruse and keep service instructions! Appliance with short-term combustion process!			

¹⁾ For details see Installation and Service Instructions