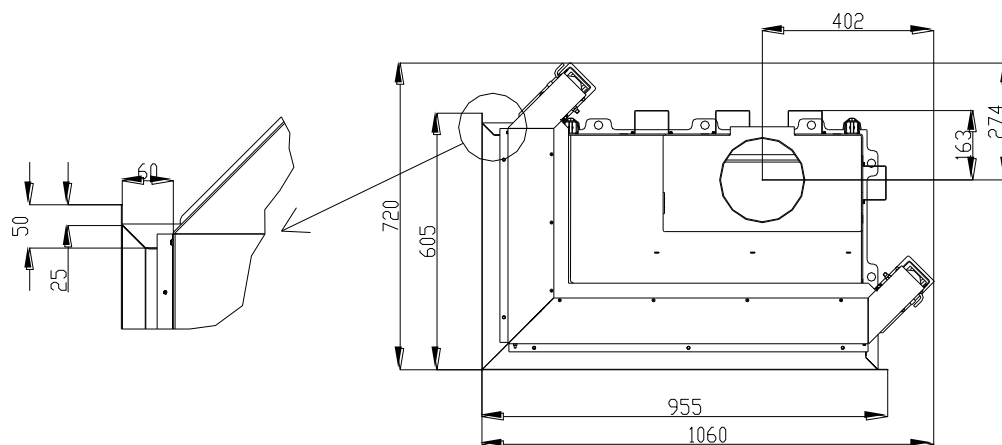
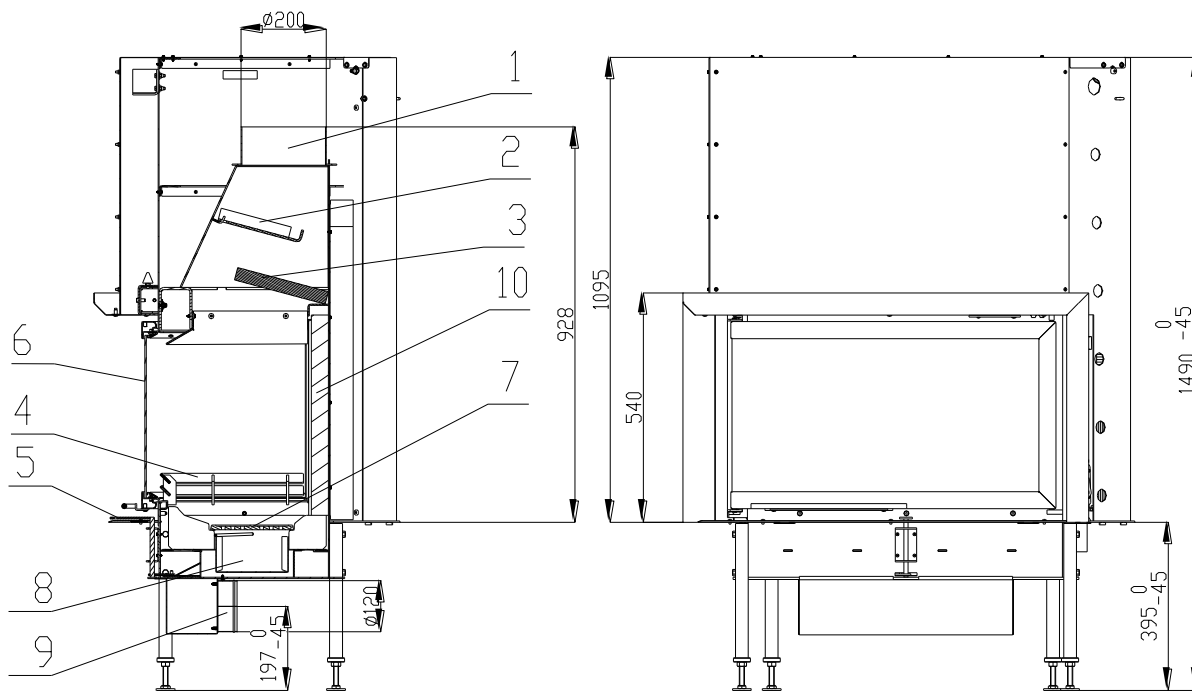


FIREPLACE INSERT INTER V9CL in accordance with EN 13 229 - W



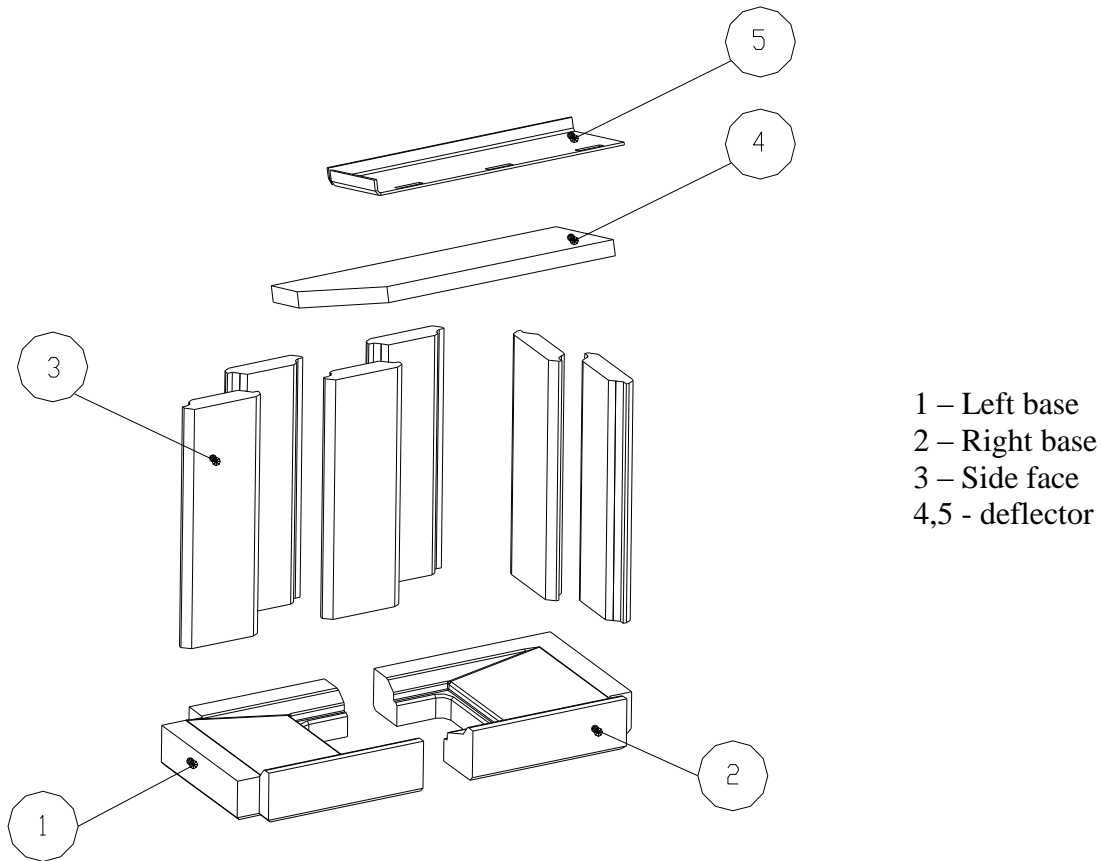
- 1. Smoke flue bellmouth**
- 2. Deflector**
- 3. Deflector Carcon**
- 4. Barrier**
- 5. Inlet regulativ**
- 11. Frame**

- 6. Glass**
- 7. Grate**
- 8. Ash Tray**
- 9. External air input**
- 10. Refractory concrete Carcon**

Technical data:

Nominal heat output	kW	14,5
Efficiency	%	84
Volume flow of combustion products	g/s	10,2
Flue-gas temperature	°C	302
Min. feed pressure at nom. heat output	Pa	10
Fuel		wood (beech logs)
Fuel consumption per hour	kg/h	3,6
CO emission in burnt gas (in relation to 13% O ₂) %		0,09
Smoke flue diameter	mm	200
Weight	kg	212

Assembly of a fire-brick firebox:



BeF Home, s.r.o. Kotvrdovice 277 679 07 Kotvrdovice IČO: 25524682	BÊF home	CE	12
Type: INTER 9 Version: 9, V9, V9CL, V9CP, V9C, 9CP, 9CL, 9C Test number: 30-11496 Notified person: 1015 EN 13229 Heat output: 14,5 kW capacity for heating Efficiency: 84 % CO emission in burnt gas (in relation to 13% O ₂): 0,09 % Burnt gas temperature: 302,3 °C Distance from adjacent combustible materials: 8cm + 10cm thermal insulation			
Fuel: wood (beech logs) Wood-burning fireplace insert for room heating.			
Peruse and keep service instructions! Appliance with short-term combustion process!			

¹⁾ For details see Installation and Service Instructions