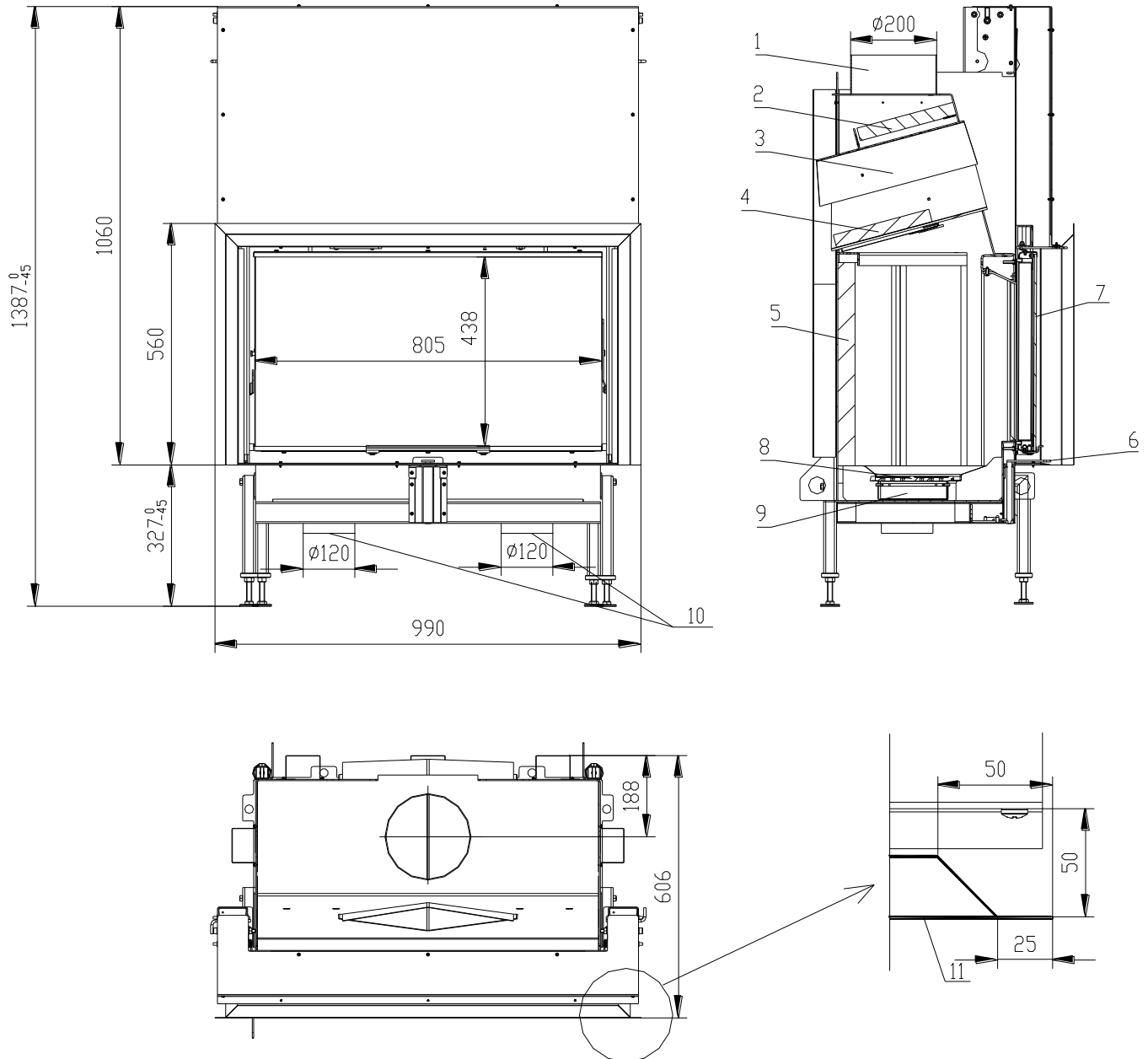


# FIREPLACE INSERT MINOR in accordance with EN 13 229 – W



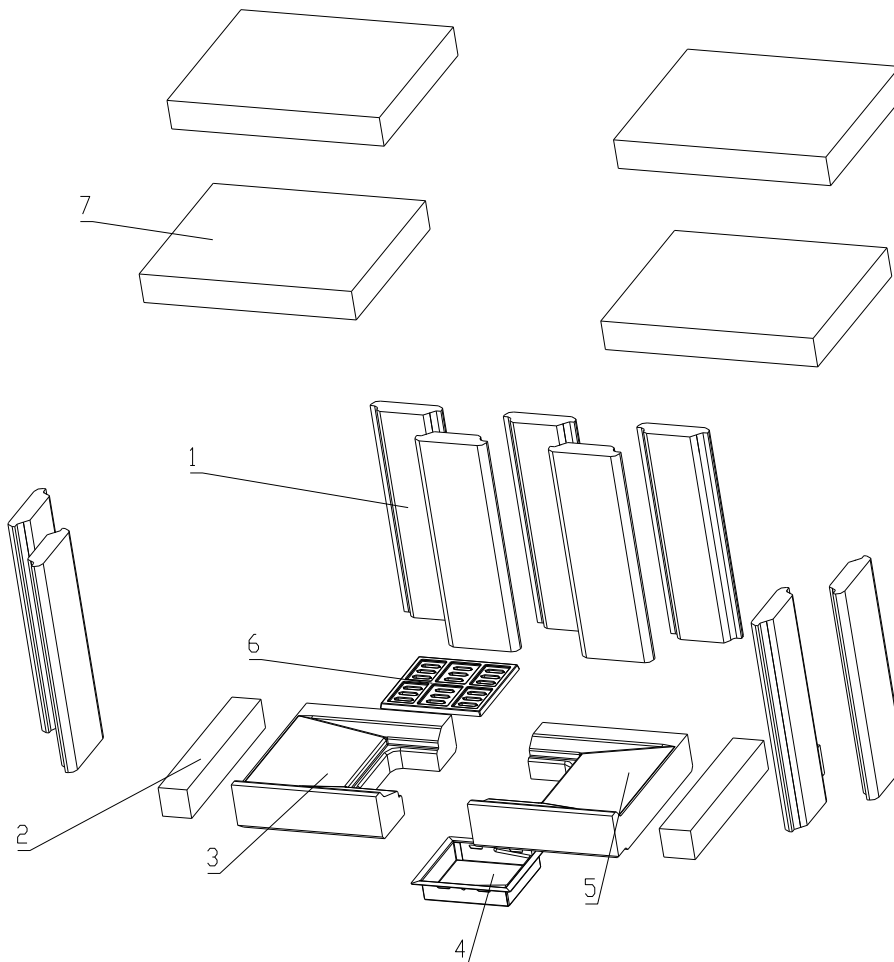
- 1.Flue bellmouth**
- 2.Deflector**
- 3.Deflector**
- 4.Deflector**
- 5.Fire-bricks**
- 11.Frame**

- 6. Secondary chamber**
- 7. Glass**
- 8. Grate**
- 9. Ash Tray**
- 10. External air input**

**Technical data:**

		Closed firebox
Nominal heat output	kW	13,5
Efficiency	%	79,5
Volume flow of combustion products	g/s	14,3
Flue-gas temperature	°C	266
Min. feed pressure at nom. heat output	Pa	10
Fuel		wood (beech logs)
Fuel consumption per hour	kg/h	4
CO emission in burnt gas (in relation to 13% O <sub>2</sub> )	%	0,117
Smoke flue diameter	mm	200
Weight	kg	260

## Assembly of a fire-brick firebox:



**1 Side face**  
**2 Hearth**  
**3 Left base**

**4 Ash pan**  
**5 Right base**  
**6 Grate**

**7 Deflector**

BeF Home, s.r.o. Kotvrdovice 277 679 07 Kotvrdovice IČO: 25524682		
Type: <b>Minor</b> Test number: <b>30-10283</b> Notified person: <b>1015 EN 13229</b> Heat output: <b>13,5kW capacity for heating</b> Efficiency: <b>79,5%</b> CO emission in burnt gas (in relation to 13% O <sub>2</sub> ): <b>0,117%</b> Burnt gas temperature: <b>266°C</b> Distance from adjacent combustible materials: <b>8cm + 10cm thermal insulation</b>		
<b>Fuel: wood (beech logs)</b> <b>Wood-burning fireplace insert for room heating.</b>		
<b>Peruse and keep service instructions!</b> <b>Appliance with short-term combustion process!</b>		

<sup>1)</sup> For details see Installation and Service Instructions