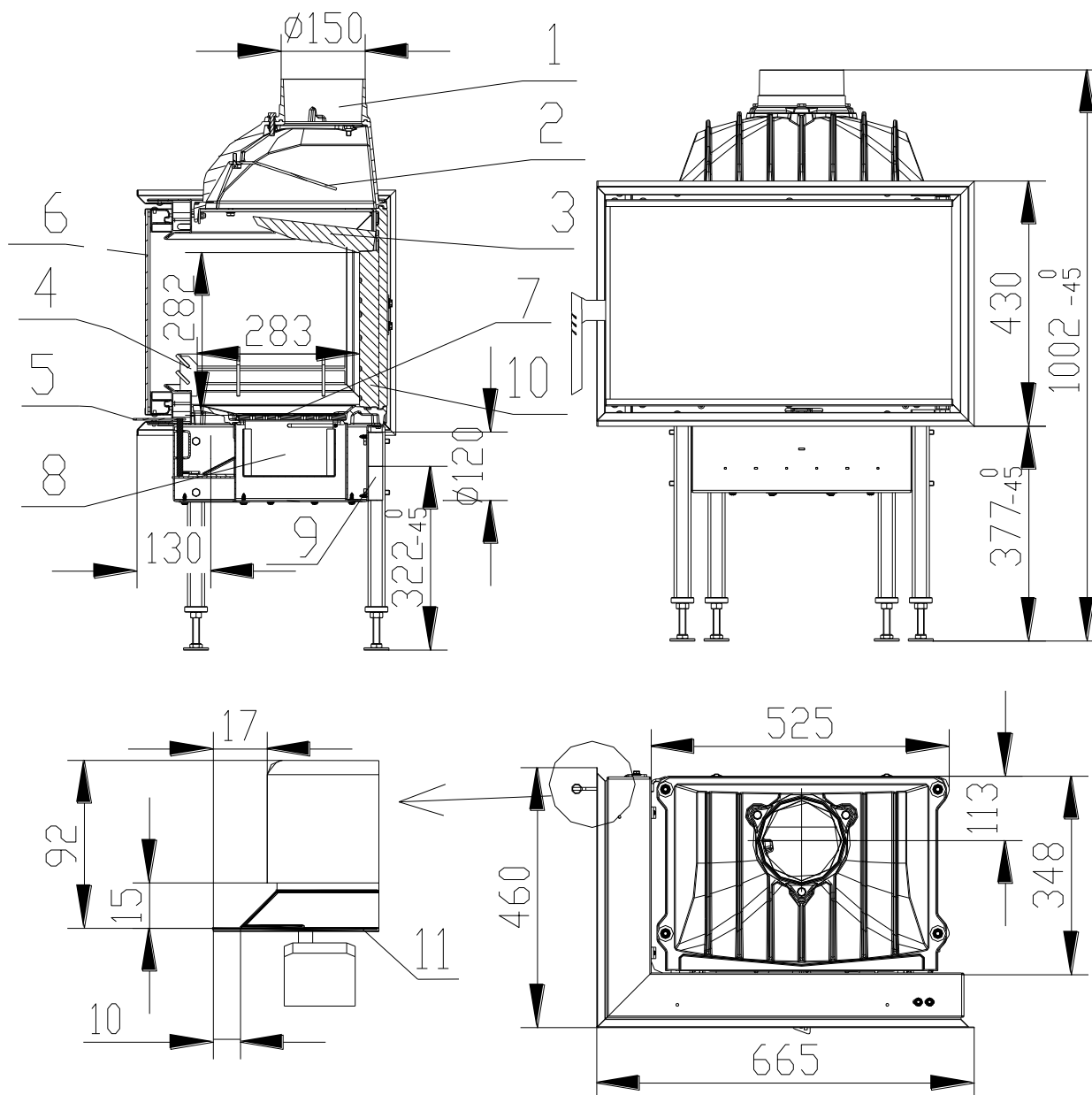


FIREPLACE INSERT OPTIM 6CL in accordance with EN 13 229 - W



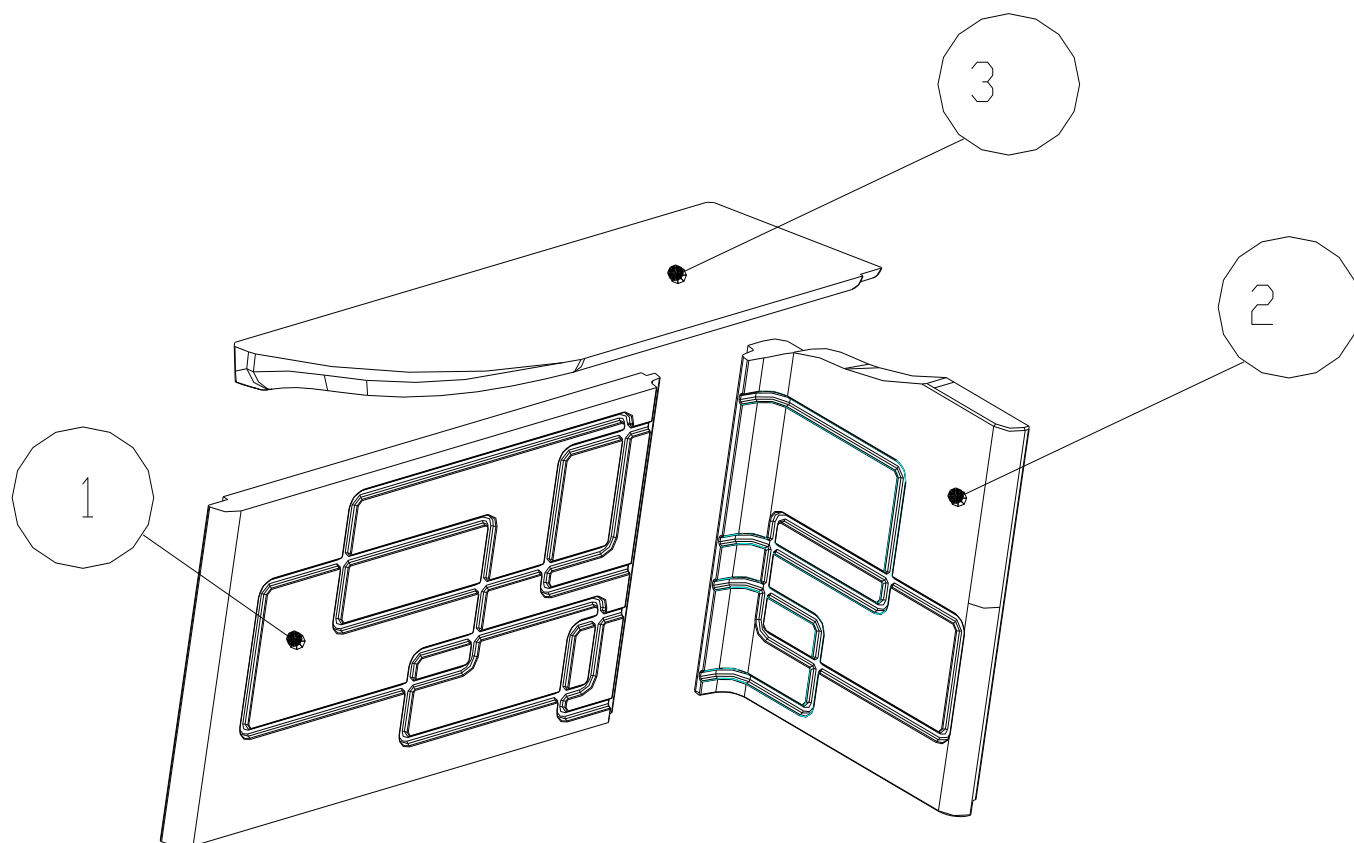
- 1.Flue bellmouth**
- 2.Deflector**
- 3.Deflector Carcon**
- 4. Barrier**
- 5.Inlet regulativ**
- 11.Frame**

- 6. Glass**
- 7. Grate**
- 8. Ash Tray**
- 9. External air input**
- 10. Refractory concrete Carcon**

Technical data:

Nominal heat output	kW	6
Efficiency	%	78,5
Volume flow of combustion products	g/s	5,8
Flue-gas temperature	°C	347
Min. feed pressure at nom. heat output	Pa	10
Fuel		Wood (beech logs)
Fuel consumption per hour	kg/h	1,9
CO emission in burnt gas (in relation to 13% O ₂) %		0,07
Smoke flue diameter	mm	150
Weight	kg	97

Refractory concrete Carcon



- 1 – Back Side
- 2 – Right side
- 3 – Deflektor

BeF Home, s.r.o. Kotvrdovice 277 679 07 Kotvrdovice IČO: 25524682	BĚF home	CE 10
Type: OPTIM 6		
Version: 6, V6, 6CP, 6CL, 6C, V6CL, V6CP, V6C		
Test number: 30-10793		
Notified person: 1015 EN 13229		
Heat output: 6kW capacity for heating		
Efficiency: 78,5%		
CO emission in burnt gas (in relation to 13% O ₂): 0,07%		
Burnt gas temperature: 347°C		
Distance from adjacent combustible materials: 8cm + 10cm thermal insulation		
Fuel: wood (beech logs) Wood-burning fireplace insert for room heating.		
Peruse and keep service instructions! Appliance with short-term combustion process!		

¹⁾ For details see Installation and Service Instructions