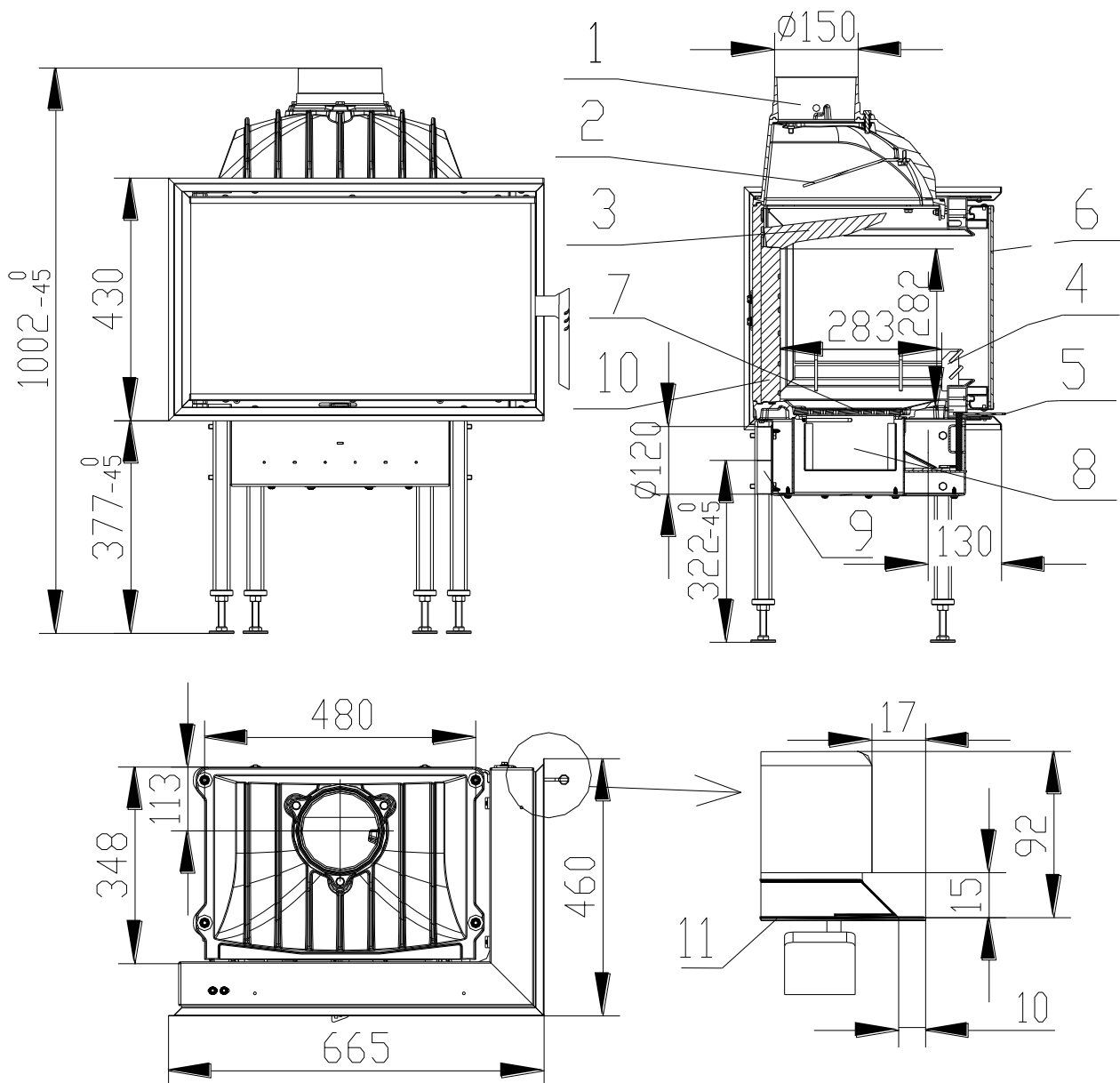


# FIREPLACE INSERT OPTIM 6CP in accordance with EN 13 229 - W



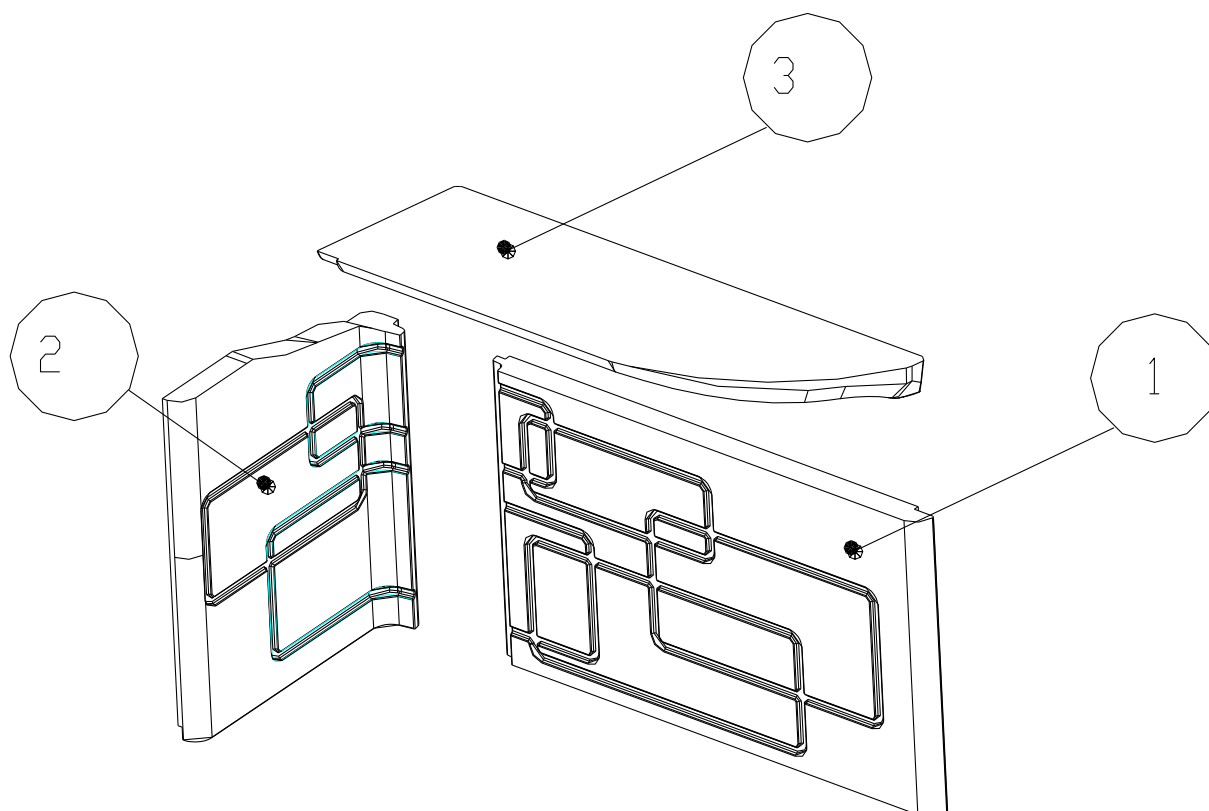
- 1.Flue bellmouth**
- 2.Deflector**
- 3.Deflector Carcon**
- 4. Barrier**
- 5.Inlet regulativ**
- 11.Frame**

- 6. Glass**
- 7. Grate**
- 8. Ash Tray**
- 9. External air input**
- 10. Refractory concrete Carcon**

**Technical data:**

		Closed firebox
Nominal heat output	kW	6
Efficiency	%	78,5
Volume flow of combustion products	g/s	5,8
Flue-gas temperature	°C	347
Min. feed pressure at nom. heat output	Pa	10
Fuel		Wood (beech logs)
Fuel consumption per hour	kg/h	1,9
CO emission in burnt gas (in relation to 13% O2 )	%	0,07
Smoke flue diameter	mm	150
Weight	kg	97

## Refractory concrete Carcon



- 1 – Back Side
- 2 – Left side
- 3 – Deflektor

BeF Home, s.r.o. Kotvrdovice 277 679 07 Kotvrdovice IČO: 25524682	<b>BêF</b> home	<b>CE</b> 10
Type: <b>OPTIM 6</b> Version: <b>6, V6, 6CP, 6CL, 6C, V6CL, V6CP, V6C</b> Test number: <b>30-10793</b> Notified person: <b>1015 EN 13229</b> Heat output: <b>6kW capacity for heating</b> Efficiency: <b>78,5%</b> CO emission in burnt gas (in relation to 13% O <sub>2</sub> ): <b>0,07%</b> <b>Burnt gas temperature:: 347°C</b> <b>Distance from adjacent combustible materials: 8cm + 10cm thermal insulation</b>		
Fuel: wood (beech logs) Wood-burning fireplace insert for room heating.		
<b>Peruse and keep service instructions!</b> <b>Appliance with short-term combustion process!</b>		

1) For details see Installation and Service Instructions