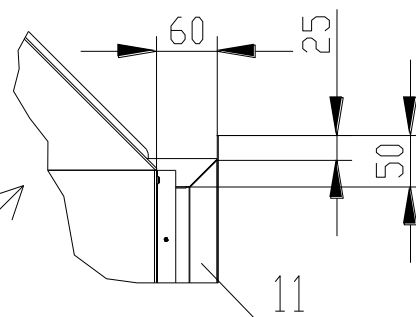
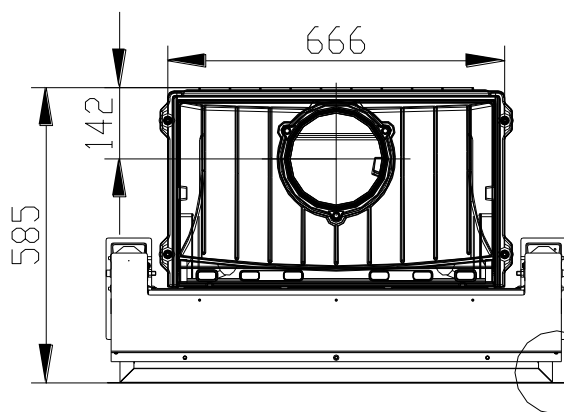
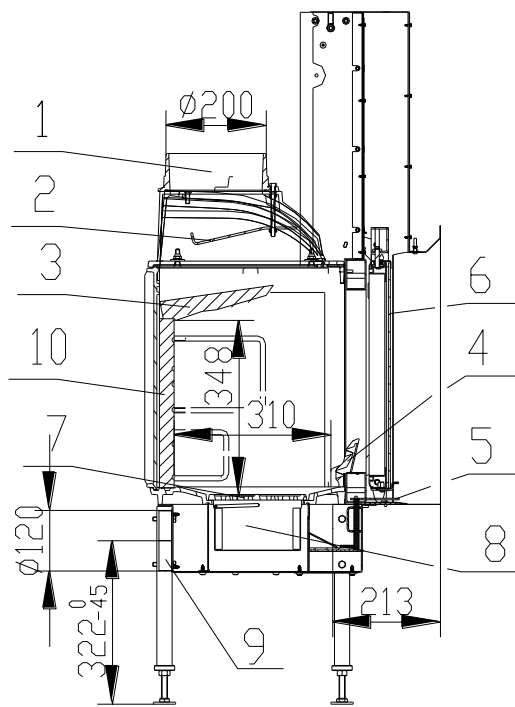
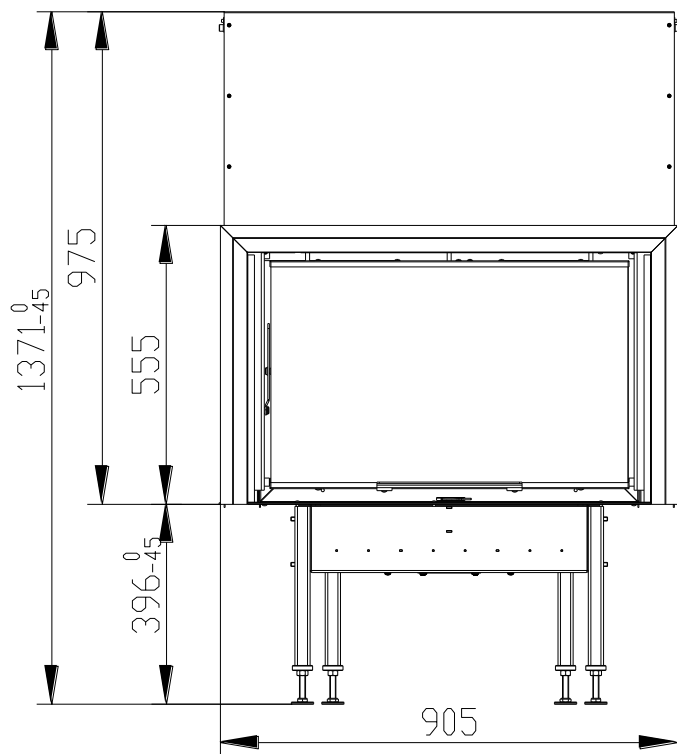


FIREPLACE INSERT OPTIM V8 in accordance with EN 13 229 - W

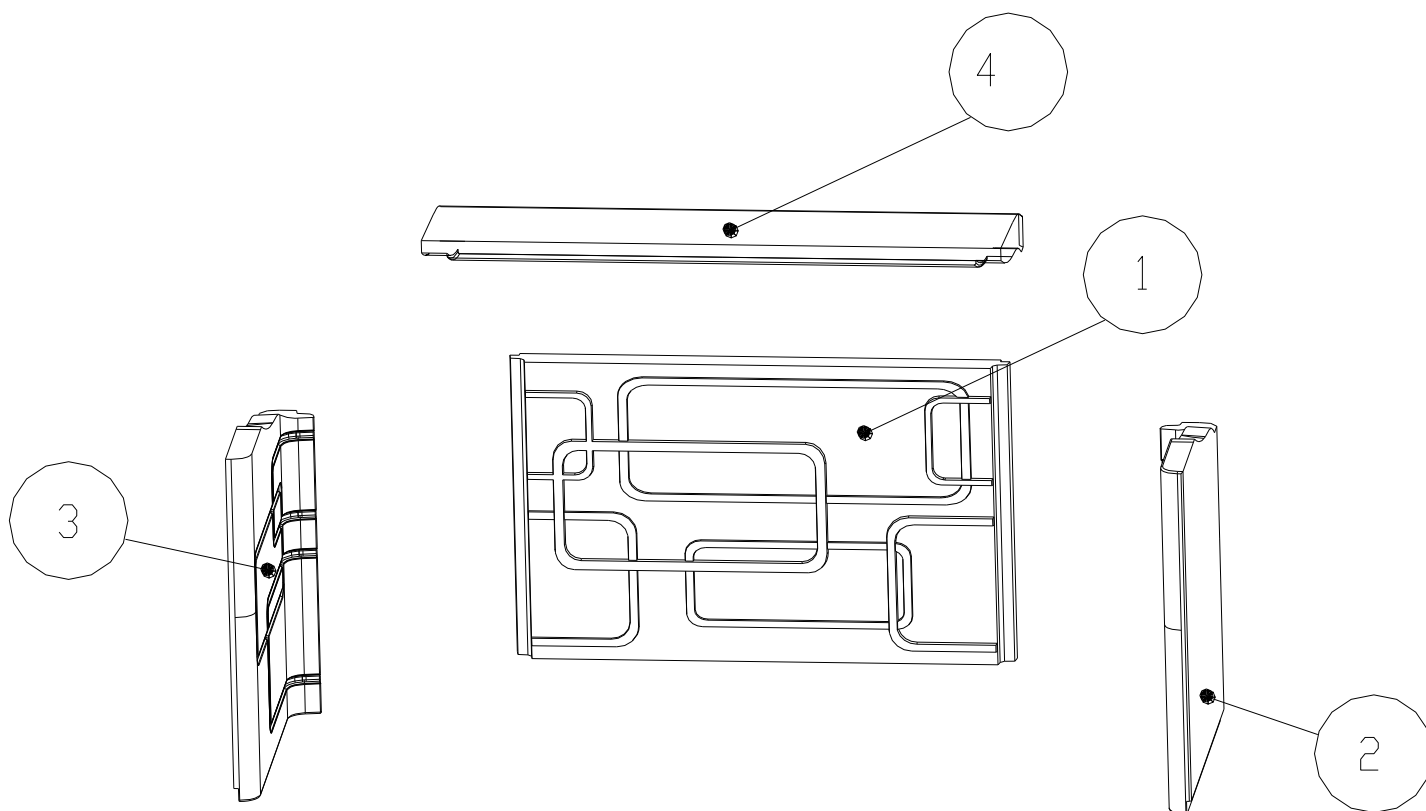


- | | |
|--|---|
| <ul style="list-style-type: none"> 1.Flue bellmouth 2.Deflector 3.Deflector Carcon 4. Barrier 5.Inlet regulativ 11.Frame | <ul style="list-style-type: none"> 6. Glass 7. Grate 8. Ash Tray 9. External air input 10. Refractory concrete Carcon |
|--|---|

Technical data:

		Closed firebox
Nominal heat output	kW	10
Efficiency	%	78
Volume flow of combustion products	g/s	8,8
Flue-gas temperature	°C	377
Min. feed pressure at nom. heat output	Pa	10
Fuel		wood (beech logs)
Fuel consumption per hour	kg/h	3
CO emission in burnt gas (in relation to 13% O ₂) %		0,06
Smoke flue diameter	mm	200
Weight	kg	203

Refractory concrete Carcon



- 1 – Back Side
- 2 – Right Side
- 3 – Left side
- 4 – Deflektor

BeF Home, s.r.o. Kotvrdovice 277 679 07 Kotvrdovice IČO: 25524682			10
Type: OPTIM 8 Version: 8, V8, V8CL, V8CP, V8C, 8CP, 8CL, 8C Test number: 30-10696/30-10283/1 Notified person: 1015 EN 13229 Heat output: 10 kW capacity for heating Efficiency: 78 % CO emission in burnt gas (in relation to 13% O ₂): 0,06 % Burnt gas temperature: 377 °C Distance from adjacent combustible materials: 8cm + 10cm thermal insulation			
Fuel: wood (beech logs) Wood-burning fireplace insert for room heating.			
Peruse and keep service instructions! Appliance with short-term combustion process!			

¹⁾ For details see Installation and Service Instructions