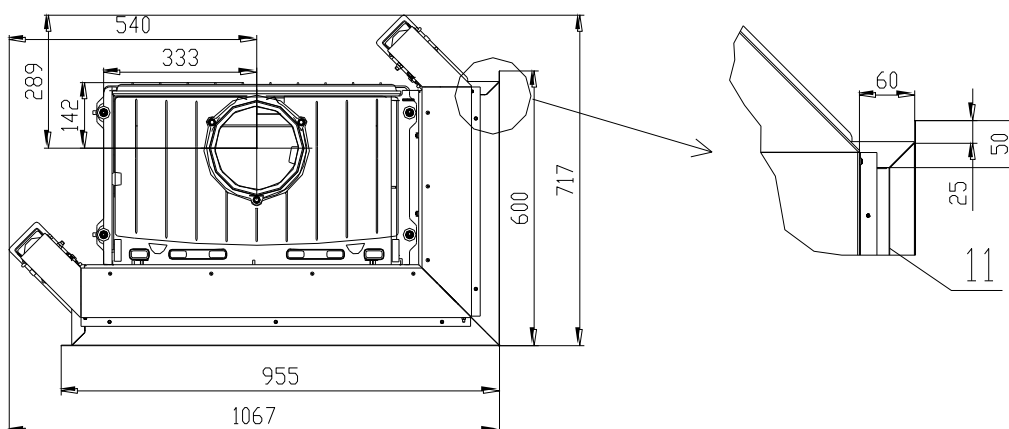
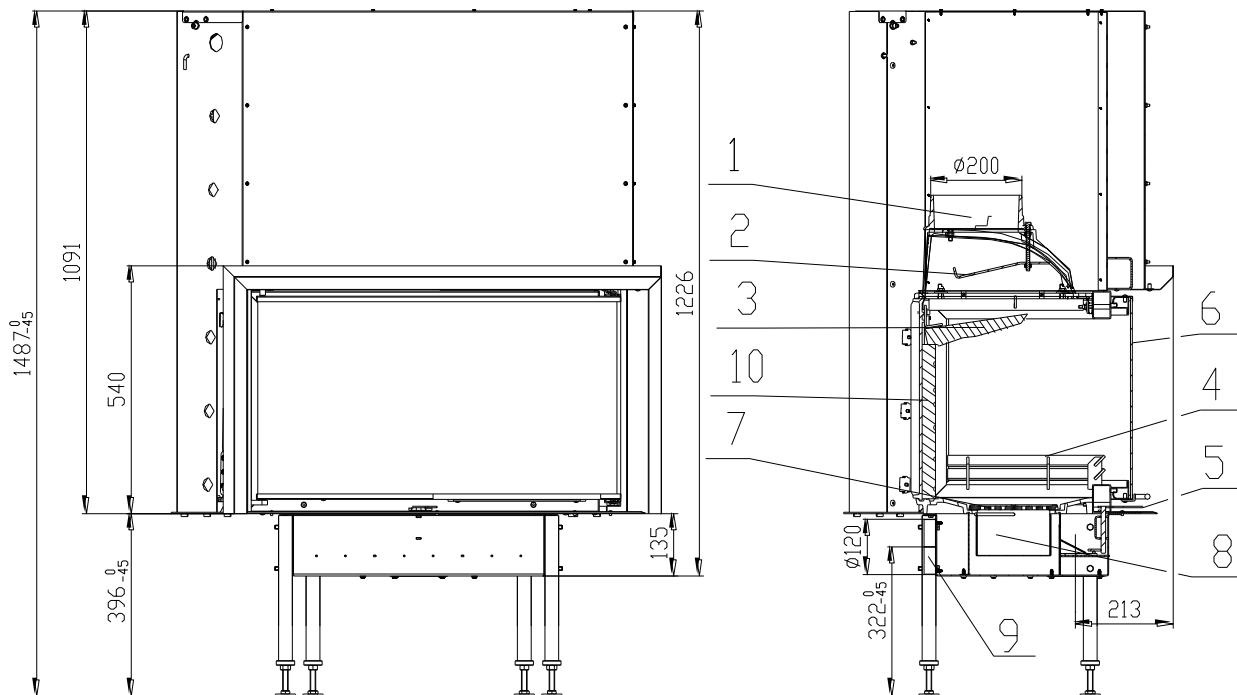


FIREPLACE INSERT OPTIM V8CP in accordance with EN 13 229 - W

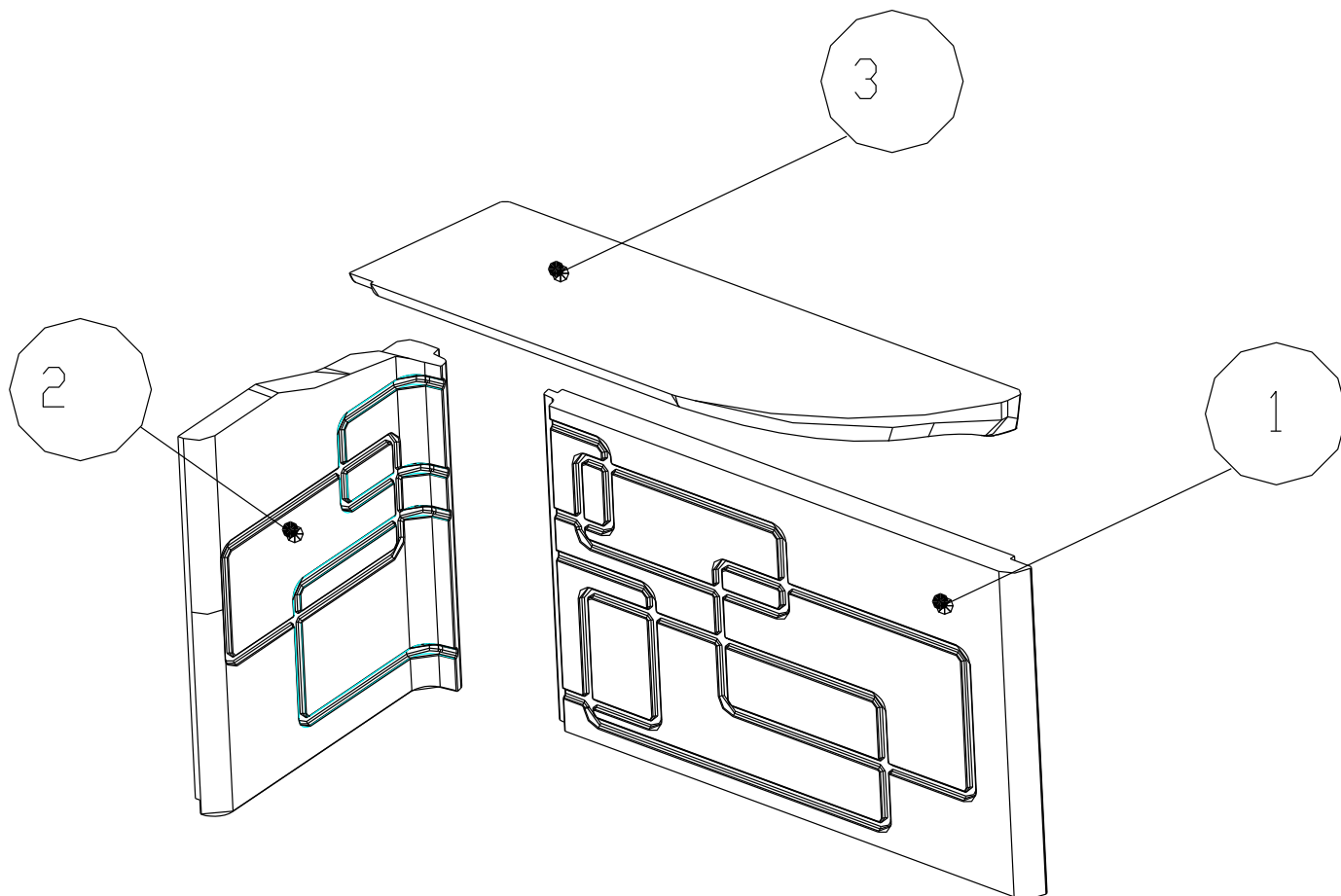


- | | |
|--------------------------------|---------------------------------------|
| 1. Smoke flue bellmouth | 6. Glass |
| 2. Deflector | 7. Grate |
| 3. Deflector Carcon | 8. Ash Tray |
| 4. Barrier | 9. External air input |
| 5. Inlet regulativ | 10. Refractory concrete Carcon |
| 11. Frame | |

Technical data:

		Closed firebox
Nominal heat output	kW	10
Efficiency	%	78
Volume flow of combustion products	g/s	8,8
Flue-gas temperature	$^{\circ}\text{C}$	377
Min. feed pressure at nom. heat output	Pa	10
Fuel		wood (beech logs)
Fuel consumption per hour	kg/h	3
CO emission in burnt gas (in relation to 13% O ₂) %		0,06
Smoke flue diameter	mm	200
Weight	kg	203

Refractory concrete Carcon



- 1 – Back Side
- 2 – Left Side
- 3 – Deflektor

BeF Home, s.r.o. Kotvrdovice 277 679 07 Kotvrdovice IČO: 25524682	BÊF home	CE 10
Type: OPTIM 8		
Version: 8, V8, V8CL, V8CP, V8C, 8CP, 8CL, 8C		
Test number: 30-10696/30-10283/1		
Notified person: 1015 EN 13229		
Heat output: 10 kW capacity for heating		
Efficiency: 78 %		
CO emission in burnt gas (in relation to 13% O ₂): 0,06 %		
Burnt gas temperature: 377 °C		
Distance from adjacent combustible materials: 8cm + 10cm thermal insulation		
Fuel: wood (beech logs)		
Wood-burning fireplace insert for room heating.		
Peruse and keep service instructions!		
Appliance with short-term combustion process!		

¹⁾ For details see Installation and Service Instructions