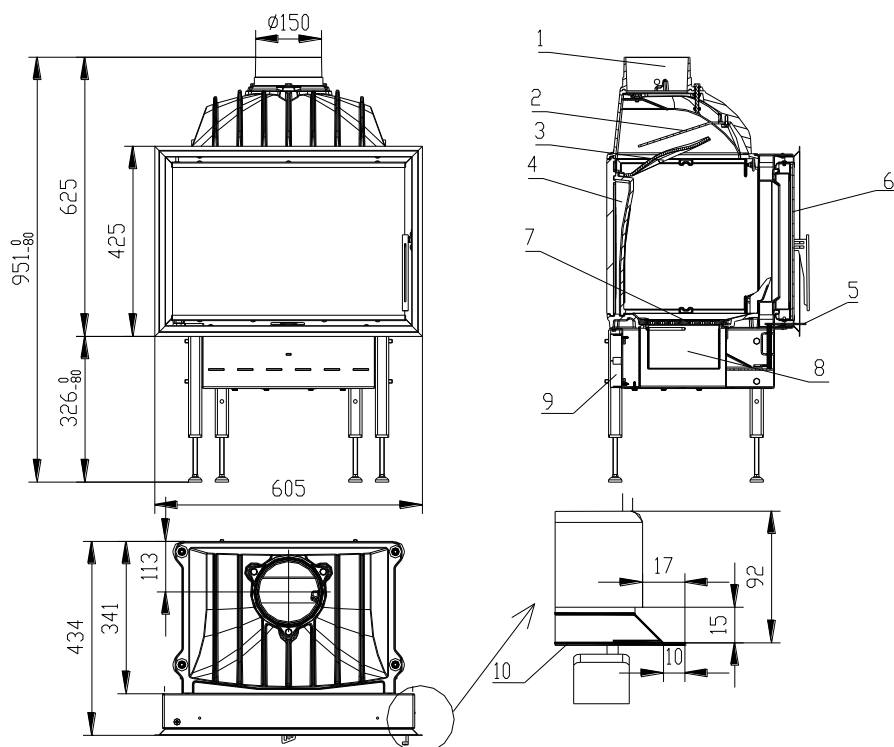


FIREPLACE INSERT START 6 in accordance with EN 13 229 - W

Schema:



Description:

- 1 Flue bellmouth
- 2 Deflector
- 3 Deflector
- 4 Secondary chamber
- 5 Inlet regulation
- 6 Glass
- 7 Grate
- 8 Ash Tray
- 9 External air input Ø120mm
- 10 Frame

Technical data:

		Closed firebox
Nominal heat output	kW	8
Efficiency	%	77
Volume flow of combustion products	g/s	7,5
Flue-gas temperature	°C	325,2
Min. feed pressure at nom. heat output	Pa	10
Fuel		Wood (beech logs)
Fuel consumption per hour	kg/h	2,4
CO emission in burnt gas (in relation to 13% O ₂) %		0,23
Smoke flue diameter	mm	150
Weight	kg	90

BeF Home, s.r.o.
Kotvrdovice 277
679 07 Kotvrdovice
IČO: 25524682

BÊF

home

CE

10

Type: **START 6**
Version: **6, V6, 6CP, 6CL, 6C, V6CL, V6CP, V6C**
Test number: **30-10793**
Notified person: **1015 EN 13229**
Heat output: **8W capacity for heating**
Efficiency: **77%**
CO emission in burnt gas (in relation to 13% O₂): **0,23%**
Burnt gas temperature:: 325°C
Distance from adjacent combustible materials: 8cm + 10cm thermal insulation

Fuel: wood (beech logs)
Wood-burning fireplace insert for room heating.

Peruse and keep service instructions!
Appliance with short-term combustion process!