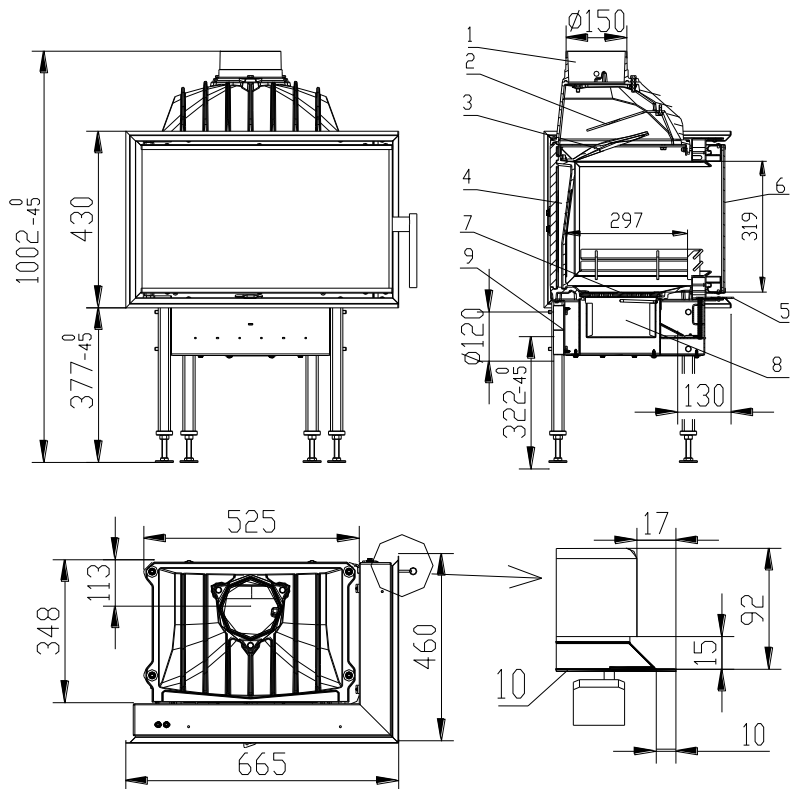


FIREPLACE INSERT START 6CP in accordance with EN 13 229 - W

Schema:

Description:



- 1 Flue bellmouth
- 2 Deflector
- 3 Deflector
- 4 Secondary chamber
- 5 Inlet regulativ
- 6 Glass
- 7 Grate
- 8 Ash Tray
- 9 External air input Ø120mm
- 10 Frame

Technical data:

| | | |
|---|------|-------------------|
| Nominal heat output | kW | 8 |
| Efficiency | % | 77 |
| Volume flow of combustion products | g/s | 7,5 |
| Flue-gas temperature | °C | 325,2 |
| Min. feed pressure at nom. heat output | Pa | 10 |
| Fuel | | Wood (beech logs) |
| Fuel consumption per hour | kg/h | 2,4 |
| CO emission in burnt gas (in relation to 13% O ₂) % | | 0,23 |
| Smoke flue diameter | mm | 150 |
| Weight | kg | 90 |

BeF Home, s.r.o.
Kotvrdovice 277
679 07 Kotvrdovice
IČO: 25524682



Type: **START 6**
Version: **6, V6, 6CP, 6CL, 6C, V6CL, V6CP, V6C**
Test number: **30-10793**
Notified person: **1015 EN 13229**
Heat output: **8W capacity for heating**
Efficiency: **77%**
CO emission in burnt gas (in relation to 13% O₂): **0,23%**
Burnt gas temperature:: 325°C
Distance from adjacent combustible materials: 8cm + 10cm thermal insulation

Fuel: wood (beech logs)
Wood-burning fireplace insert for room heating.

Peruse and keep service instructions!
Appliance with short-term combustion process!