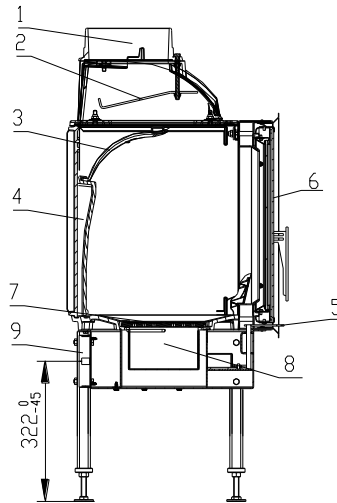
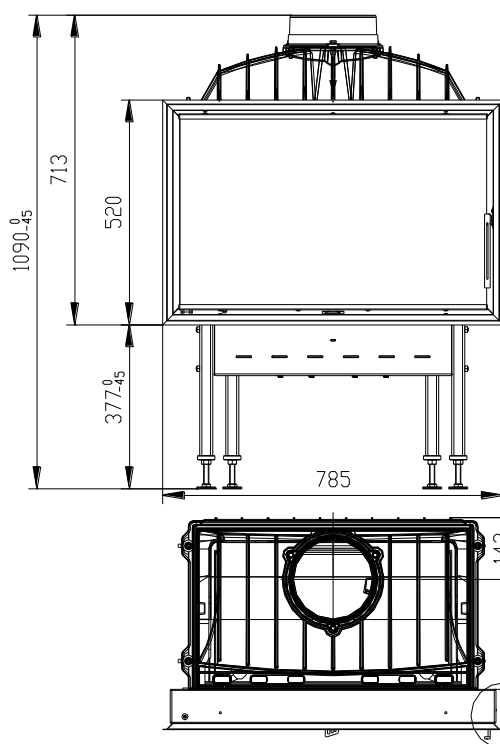


# FIREPLACE INSERT START 8 in accordance with EN 13 229 - W

Schema:



Description:

- 1** Flue bellmouth
- 2** Deflector
- 3** Deflector
- 4** Secondary chamber
- 5** Inlet regulation
- 6** Glass
- 7** Grate
- 8** Ash Tray
- 9** External air input Ø120mm
- 10** Frame

## Technical data:

Nominal heat output	kW	16
Efficiency	%	76
Volume flow of combustion products	g/s	14,7
Flue-gas temperature	°C	369,5
Min. feed pressure at nom. heat output	Pa	10
Fuel		Wood (beech logs)
Fuel consumption per hour	kg/h	5
CO emission in burnt gas (in relation to 13% O <sub>2</sub> ) %		0,13
Smoke flue diameter	mm	200
Weight	kg	171

BeF Home, s.r.o.  
Kotvrdovice 277  
679 07 Kotvrdovice  
IČO: 25524682



Type: **START 8**

Version: **8, V8,8CL,8CP,V8CL,V8CP,8C,V8C**

Test number: **30-10696/30-10283**

Notified person: **1015 EN 13229**

Heat output: **16kW capacity for heating**

Efficiency: **76%**

CO emission in burnt gas (in relation to 13% O<sub>2</sub>): **0,13%**

**Burnt gas temperature:369,5°C**

**Distance from adjacent combustible materials:** 8cm + 10cm thermal insulation

Fuel: wood (beech logs)

Wood-burning fireplace insert for room heating.

**Peruse and keep service instructions!**

**Appliance with short-term combustion process!**

For details see Installation and Service Instructions