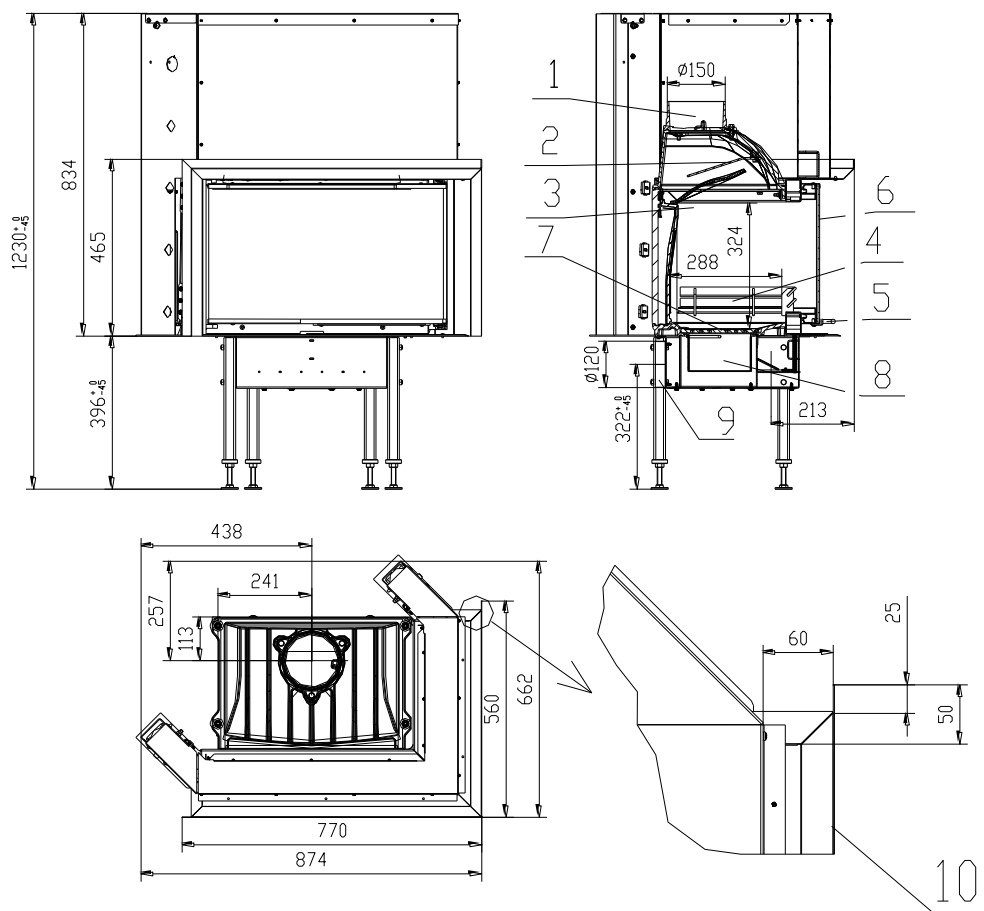


# FIREPLACE INSERT START V6CP in accordance with EN 13 229 – W

Schema:

Description:



- 1 Flue bellmouth**
- 2 Deflector**
- 3 Deflector**
- 4 Secondary chamber**
- 5 Inlet regulation**
- 6 Glass**
- 7 Grate**
- 8 Ash Tray**
- 9 External air input  
Ø120mm**
- 10 Frame**

**Technical data:**

Nominal heat output	kW	8
Efficiency	%	77
Volume flow of combustion products	g/s	7,5
Flue-gas temperature	°C	325,2
Min. feed pressure at nom. heat output	Pa	10
Fuel		Wood (beech logs)
Fuel consumption per hour	kg/h	2,4
CO emission in burnt gas (in relation to 13% O <sub>2</sub> ) %		0,23
Smoke flue diameter	mm	150
Weight	kg	90

BeF Home, s.r.o.  
Kotvrdovice 277  
679 07 Kotvrdovice  
IČO: 25524682



Type: **START 6**

Version: **6, V6, 6CP, 6CL, 6C, V6CL, V6CP, V6C**

Test number: **30-10793**

Notified person: **1015 EN 13229**

Heat output: **8W capacity for heating**

Efficiency: **77%**

CO emission in burnt gas (in relation to 13% O<sub>2</sub>): **0,23%**

**Burnt gas temperature:: 325°C**

**Distance from adjacent combustible materials:** 8cm + 10cm thermal insulation

Fuel: wood (beech logs)

Wood-burning fireplace insert for room heating.

**Peruse and keep service instructions!**

**Appliance with short-term combustion process!**