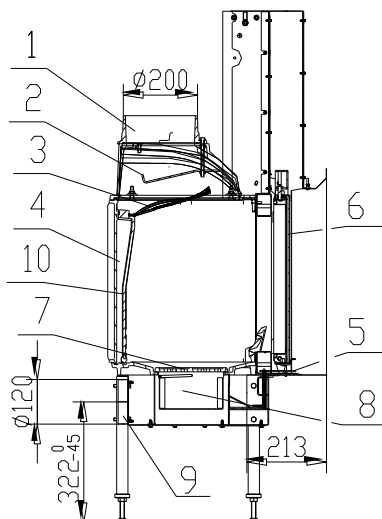
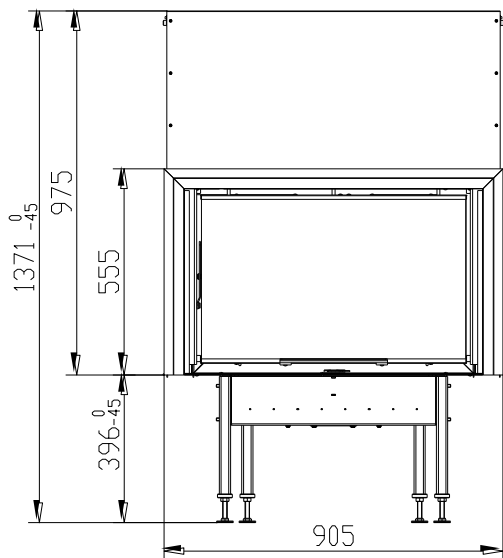


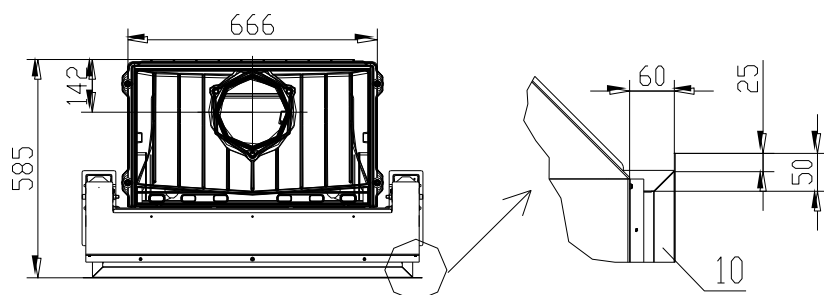
FIREPLACE INSERT START V8 in accordance with EN 13 229 - W

Schema:

Description:



- 1 Flue bellmouth**
- 2 Deflector**
- 3 Deflector**
- 4 Secondary chamber**
- 5 External air control**
- 6 Glass**
- 7 Grate**
- 8 Ash Tray**
- 9 External air input Ø120mm**
- 10 Frame**



Technical data:

Nominal heat output	kW	16
Efficiency	%	76
Volume flow of combustion products	g/s	14,7
Flue-gas temperature	°C	369,5
Min. feed pressure at nom. heat output	Pa	10
Fuel		Wood (beech logs)
Fuel consumption per hour	kg/h	5
CO emission in burnt gas (in relation to 13% O2) %		0,13
Smoke flue diameter	mm	200
Weight	kg	171

BeF Home, s.r.o.
Kotvrdovice 277
679 07 Kotvrdovice
IČO: 25524682



Type: **START 8**
Version: **8, V8,8CL,8CP,V8CL,V8CP,8C,V8C**
Test number: **30-10696/30-10283**
Notified person: **1015 EN 13229**
Heat output: **16kW capacity for heating**
Efficiency: **76%**
CO emission in burnt gas (in relation to 13% O2): **0,13%**
Burnt gas temperature:369,5°C
Distance from adjacent combustible materials: 8cm + 10cm thermal insulation
Fuel: wood (beech logs)
Wood-burning fireplace insert for room heating.

Peruse and keep service instructions!
Appliance with short-term combustion process!