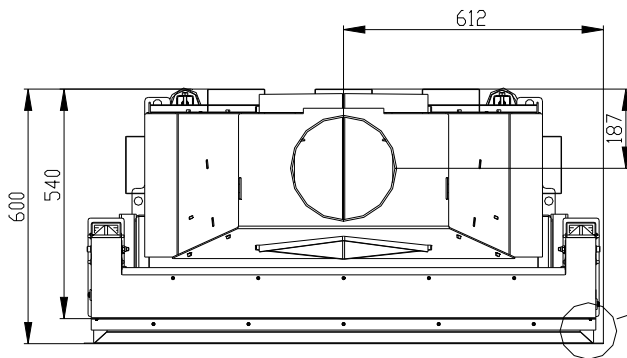
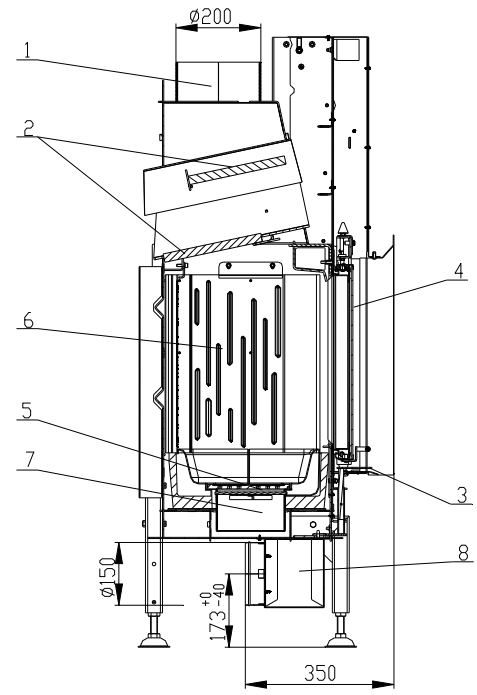
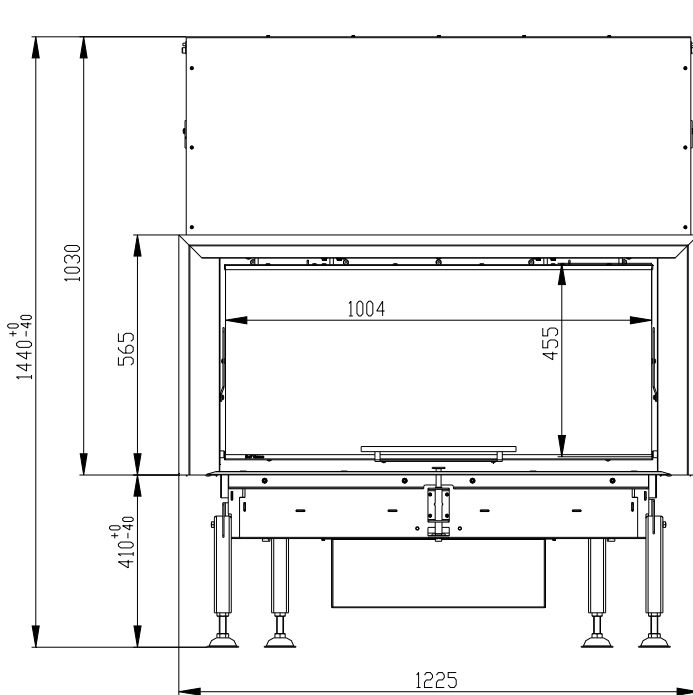


FIREPLACE INSERT TREND V 12 IN ACCORDANCE WITH 13 229

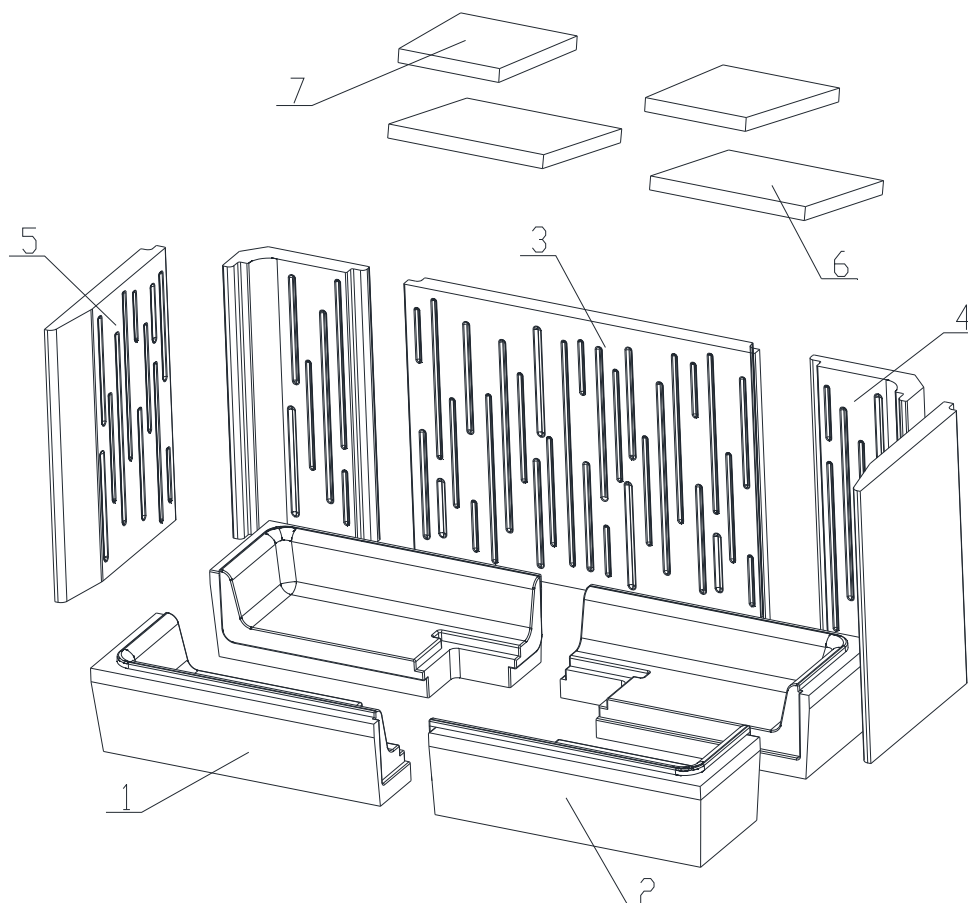


- | | |
|--|---|
| <ul style="list-style-type: none"> 1. Smoke flue bellmouth 2. Deflectors (Vermiculite) 3. Combustion air regulation 4. Glass 5. Grate | <ul style="list-style-type: none"> 6. Refractory concrete (Carcon) 7. Ash tray 8. External air input 9. Frame |
|--|---|

Technical data:

Nominal heat output	kW	13,9
Efficiency	%	80
Volume flow of combustion products	g/s	12
Flue-gas temperature	°C	256
Min. feed pressure at nominal heat output	Pa	10
Fuel		wood (beech logs)
Fuel consumption per hour	kg/h	4,02
CO emission in burnt gas (in relation to 13% O2) %		0,0898
Smoke flue diameter	mm	200
Weight	kg	314

Set of carcon firebox:



1. Left bottom
2. Right bottom
3. Back
4. Corner piece

5. Side piece
6. Bottom deflector (Vermiculite)
7. Upper deflector (Vermiculite)

BeF Home, s.r.o. Kotvrdovice 277 679 07 Kotvrdovice IČO: 25524682	BÊF home	CE 12
Type: TREND V12 Version: V12 Test number: 30-11773 Notified person: 1015 EN 13229 Heat output : 13,9 kW capacity for heating Efficiency : 80% CO emission in burnt gas (in relation to 13% O ₂): 0,0898% Burnt gas temperature: 256°C Distance from adjacent combustible materials: 8cm+10cm thermal insulation Fuel: wood (beech logs) Wood burning fireplace insert for room heating		
Peruse and keep service instructions! Appliance with short-term combustion process!		

For details see Installation and Service Instruction