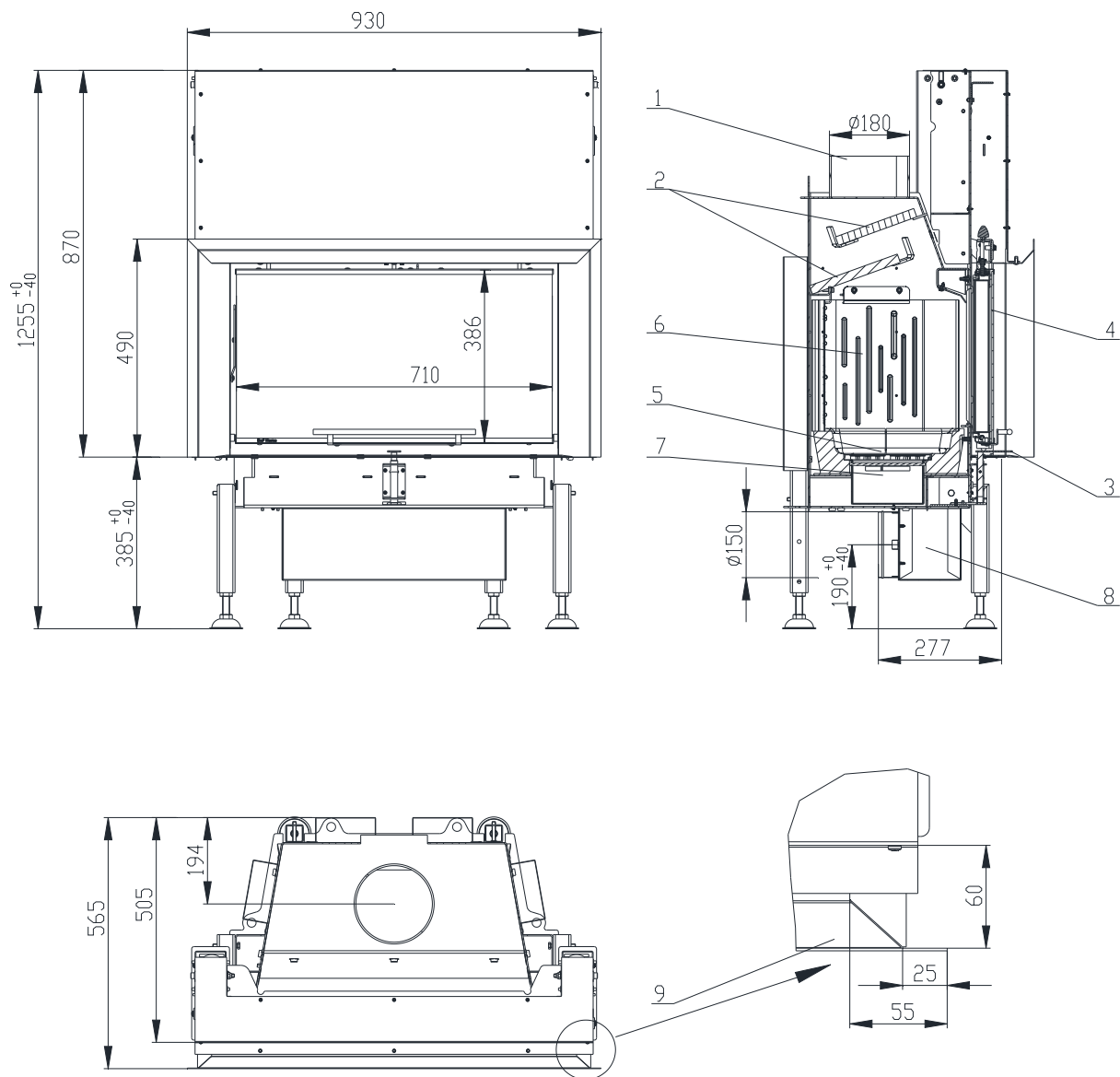


FIREPLACE INSERT TREND V 7 IN ACCORDANCE WITH EN 13 229

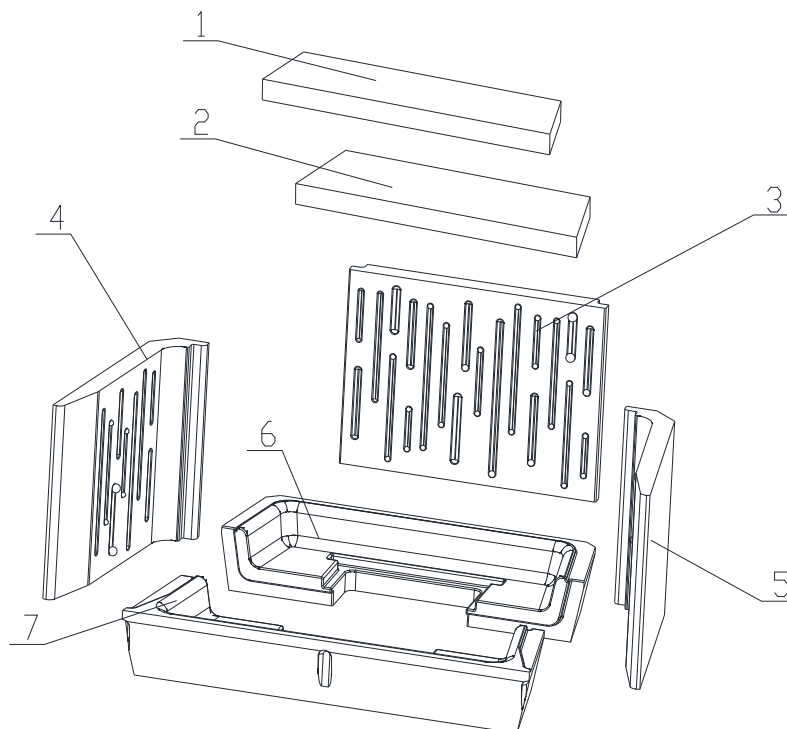


- | | |
|--|--|
| <p>1. Smoke flue bellmouth</p> <p>2. Deflectors (Vermiculite)</p> <p>3. Combustion air regulation</p> <p>4. Glass</p> <p>5. Grate</p> | <p>6. Refractory concrete (Carcon)</p> <p>7. Ash tray</p> <p>8. External air input</p> <p>9. Frame</p> |
|--|--|

Technical data:

Nominal heat output	kW	9
Efficiency	%	80
Volume flow of combustion products	g/s	7,6
Flue-gas temperature	°C	273
Min. feed pressure at nominal heat output	Pa	10
Fuel		wood (beech logs)
Fuel consumption per hour	kg/h	2,8
CO emission in burnt gas (in relation to 13% O ₂) %		0,0606
Smoke flue diameter	mm	180
Weight	kg	168

Set of carcon firebox:



- | | |
|-----------------------------------|---------------------|
| 1. Upper deflector (vermiculite) | 5. Right side piece |
| 2. Bottom deflector (vermiculite) | 6. Back bottom |
| 3. Back | 7. Front bottom |
| 4. Left side piece | |

BeF Home, s.r.o. Kotvrdovice 277 679 07 Kotvrdovice IČO: 25524682	BeF home	CE 12
Type: TREND 7 Version: 7, V7 Test number: 30-11485 Notified person: 1015 EN 13229 Heat output: 9 kW capacity for heating Efficiency: 80% CO emission in burnt gas (in relation to 13% O ₂): 0,0606% Burnt gas temperature: 273°C Distance for adjacent combustible materials: 8cm + 10cm thermal insulation Fuel: wood (beech logs) Wood burning fireplace insert for room heating		
Peruse and keep service instructions! Appliance with short-term combustion process!		

For details see Installation and Service Instructions