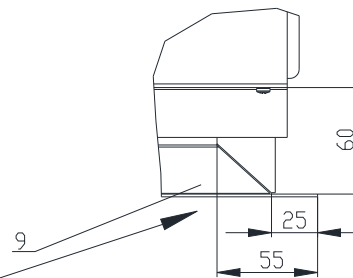
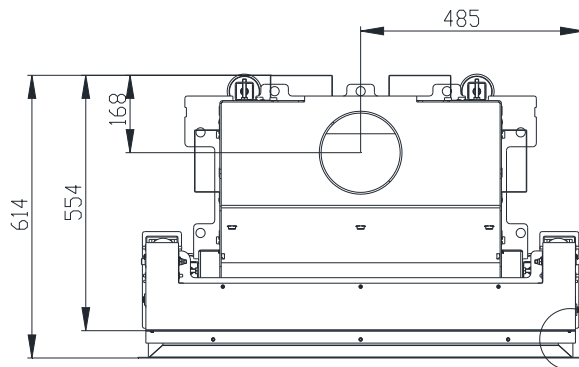
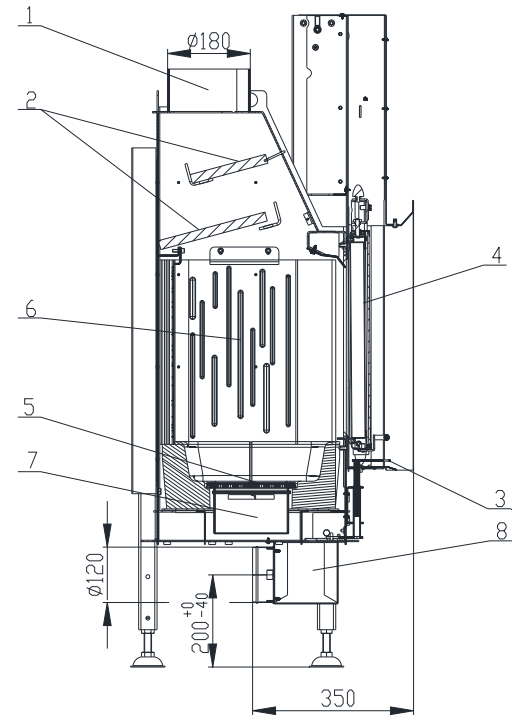
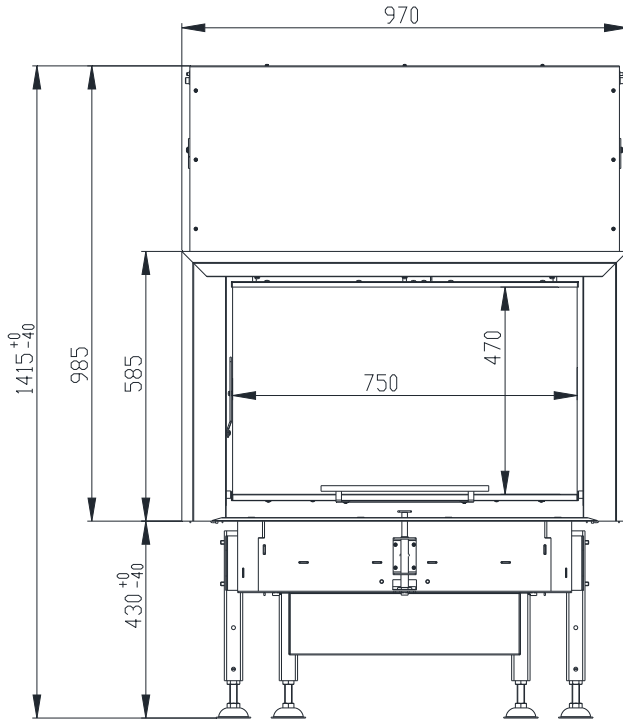


FIREPLACE INSERT TREND V 8 IN ACCORDANCE WITH 13 229

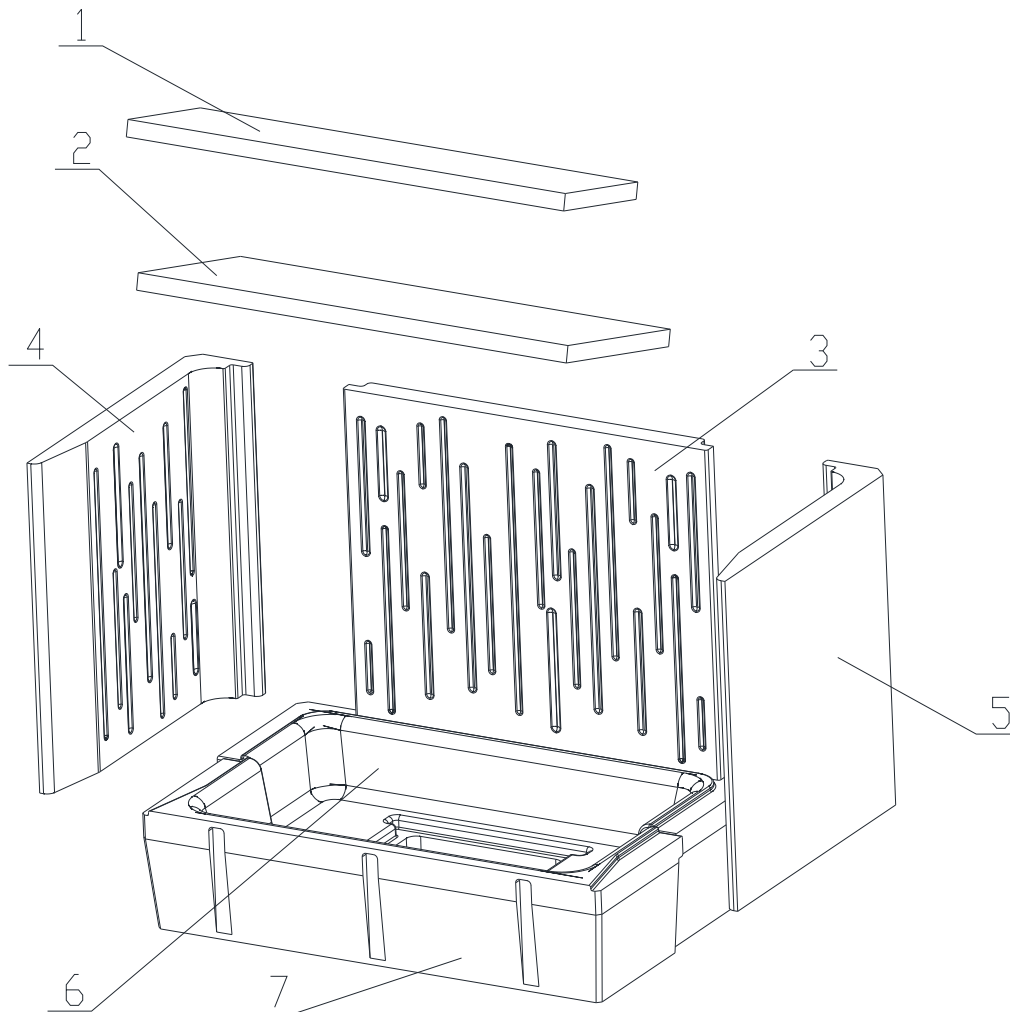


- | | |
|-------------------------------------|--|
| 1. Smoke flue bellmouth | 6. Refractory concrete (Carcon) |
| 2. Deflectors (Vermiculite) | 7. Ash tray |
| 3. Combustion air regulation | 8. External air input |
| 4. Glass | 9. Frame |
| 5. Grate | |

Technical data:

Nominal heat output	kW	13
Efficiency	%	80
Volume flow of combustion products	g/s	10,2
Flue-gas temperature	°C	280
Min. feed pressue at nominal heat output	Pa	12
Fuel		wood (beech logs)
Fuel consumption per hour	kg/h	3,8
CO emission in burnt gas (in relation to 13% O2) %		0,067
Smoke flue diameter	mm	180
Weight	kg	226

Set of carcon firebox:



BeF Home, s.r.o.
Kotvrdovice 277
679 07 Kotvrdovice
IČO: 25524682



Type: **TREND 8**

Version: **8, V8, V8CL, V8CP, V8C, 8C**

Test number: **30-11485/1**

Notified person: **1015 EN 13229**

Heat output: **13 kW capacity for heating**

Efficiency: **80 %**

CO emission in burnt gas (in relation to 13% O₂): **0,067 %**

Burnt gas temperature: **280 °C**

Distance from adjacent combustible materials: **8cm + 10cm**

thermal insulation

Fuel: **wood (beech logs)**

Wood burning fireplace insert for room heating

Peruse and keep service instructions!

Appliance with short-term combustion process!

- 1 – Upper deflector
- 2 – Bottom deflector
- 3 – Back
- 4 – Left side piece
- 5 – Right side piece
- 6 – Back bottom
- 7 – Front bottom

For details see Installation and Service Instructions