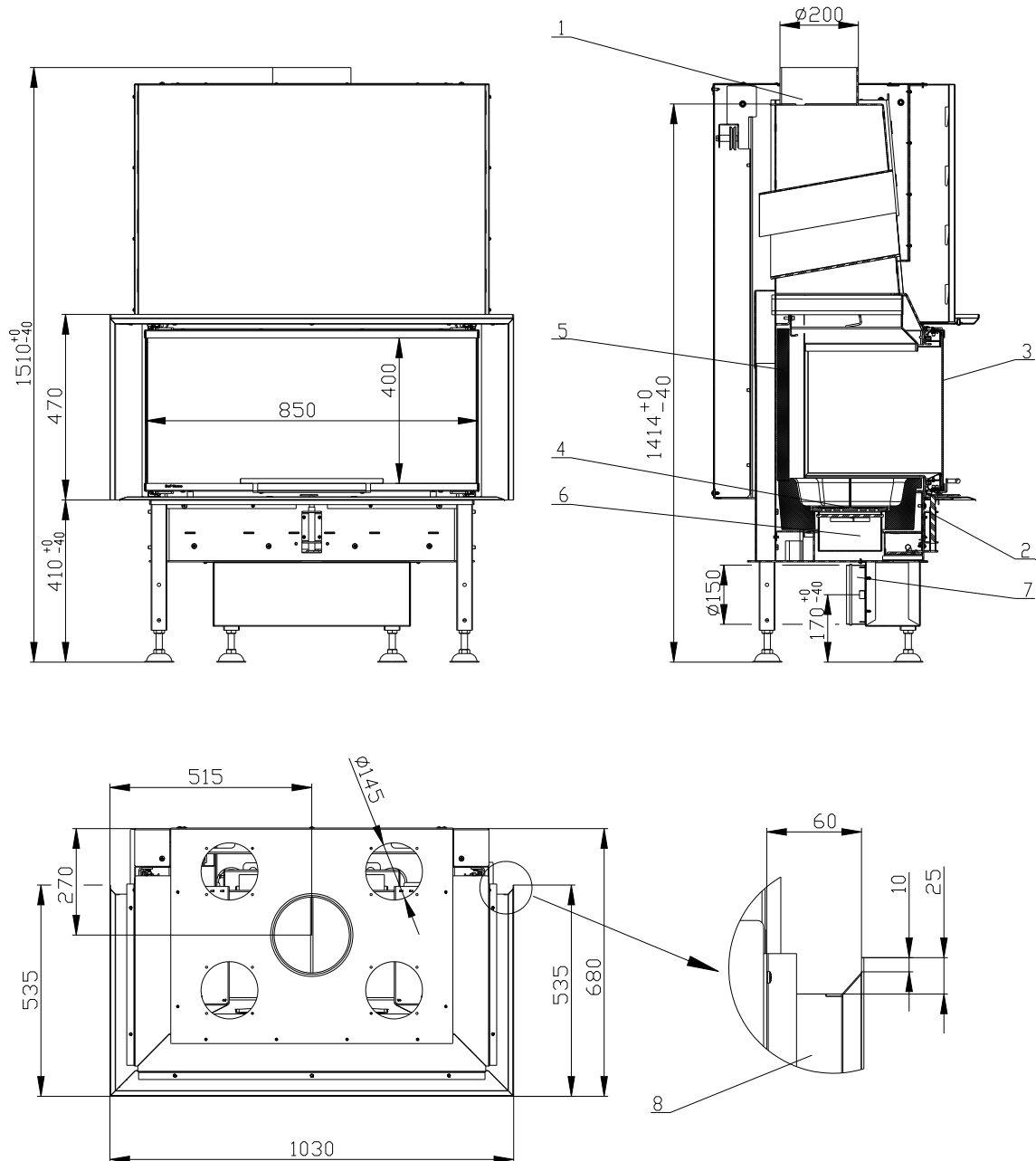


FIREPLACE INSERT TREND V 8C IN ACCORDANCE WITH EN 13 229

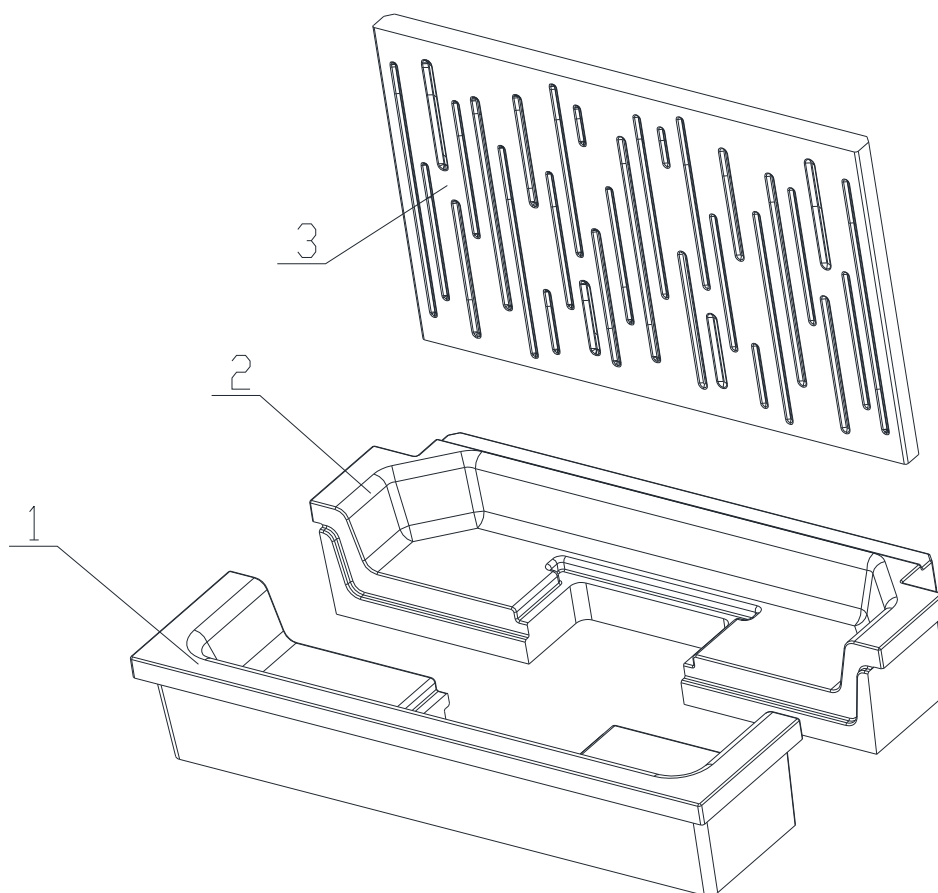


- | | |
|--|--|
| <p>1. Smoke flue bellmouth</p> <p>2. Combustion air regulation</p> <p>3. Glass</p> <p>4. Grate</p> | <p>5. Refractory concrete (Carcon)</p> <p>6. Ash tray</p> <p>7. External air input</p> <p>8. Frame</p> |
|--|--|

Technical data:

		Closed firebox
Nominal heat output	kW	13
Efficiency	%	80
Volume flow of combustion products	g/s	10,2
Flue-gas temperature	°C	280
Min. feed pressure at nominal heat output	Pa	12
Fuel		wood (beech logs
Fuel consumption per hour	kg/h	3,8
CO emission in burnt gas (in relation to 13% O2) %		0,067
Smoke flue diameter		200
Weight		286

Set of carcon firebox:



- 1 – FRONT BOTTOM
- 2 – BACK BOTTOM
- 3 – BACK

BeF Home, s.r.o. Kotvrdovice 277 679 07 Kotvrdovice IČO: 25524682	BEF home	CE	12
Type: TREND 8 Version: 8, V8, V8CL, V8CP, V8C, 8C Test number: 30-11485/1 Notified person: 1015 EN 13229 Heat ou tput: 13 kW capacity for heating Efficiency: 80 % CO emission in burnt gas (in relation to 13% O ₂): 0,067 % Burnt gas temperature: 280 °C Distance from adjacent combustible materials: 8cm + 10cm thermal insulation Fuel: wood (beech logs) Wood burning fireplace insert for room heating			
Peruse and keep service instructions! Appliance with short-term combustion process!			

For details see Installation and Service Instructions