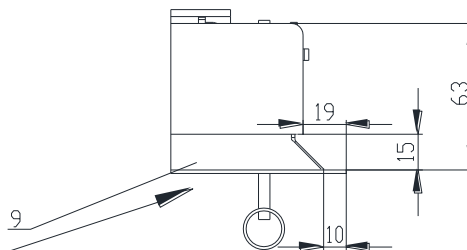
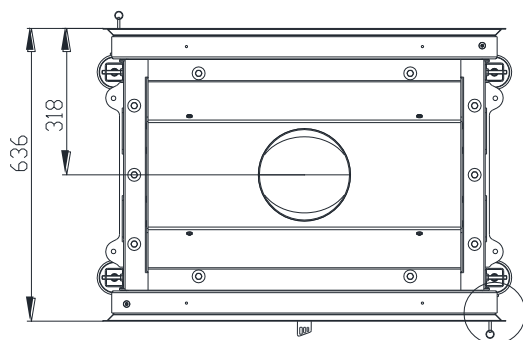
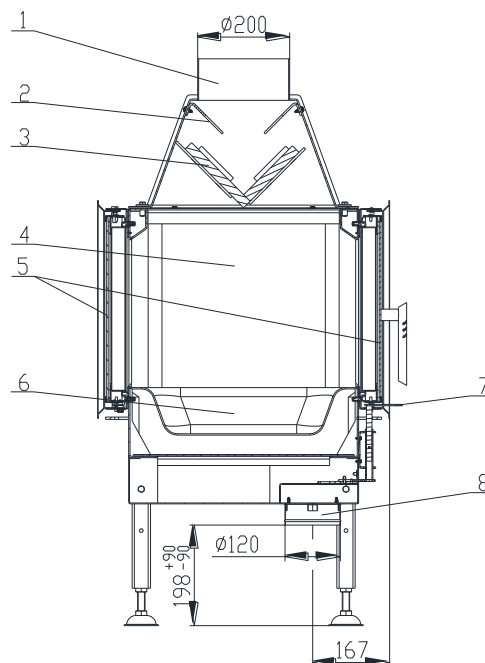
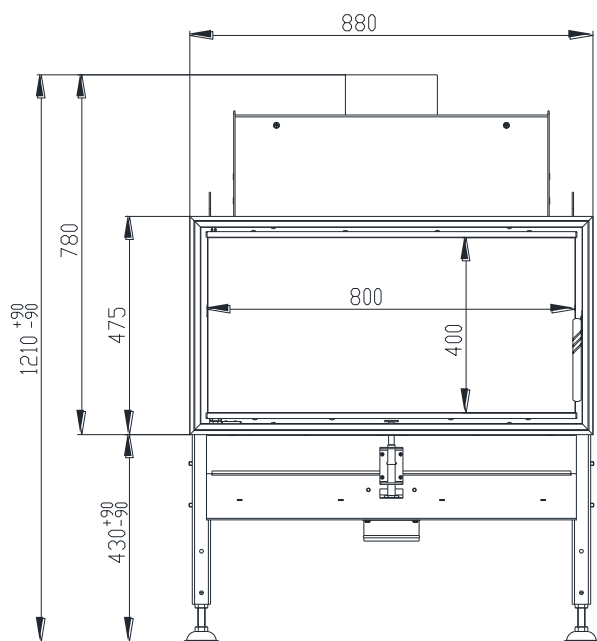


# FIREPLACE INSERT TWIN 9 in accordance with EN 13 229

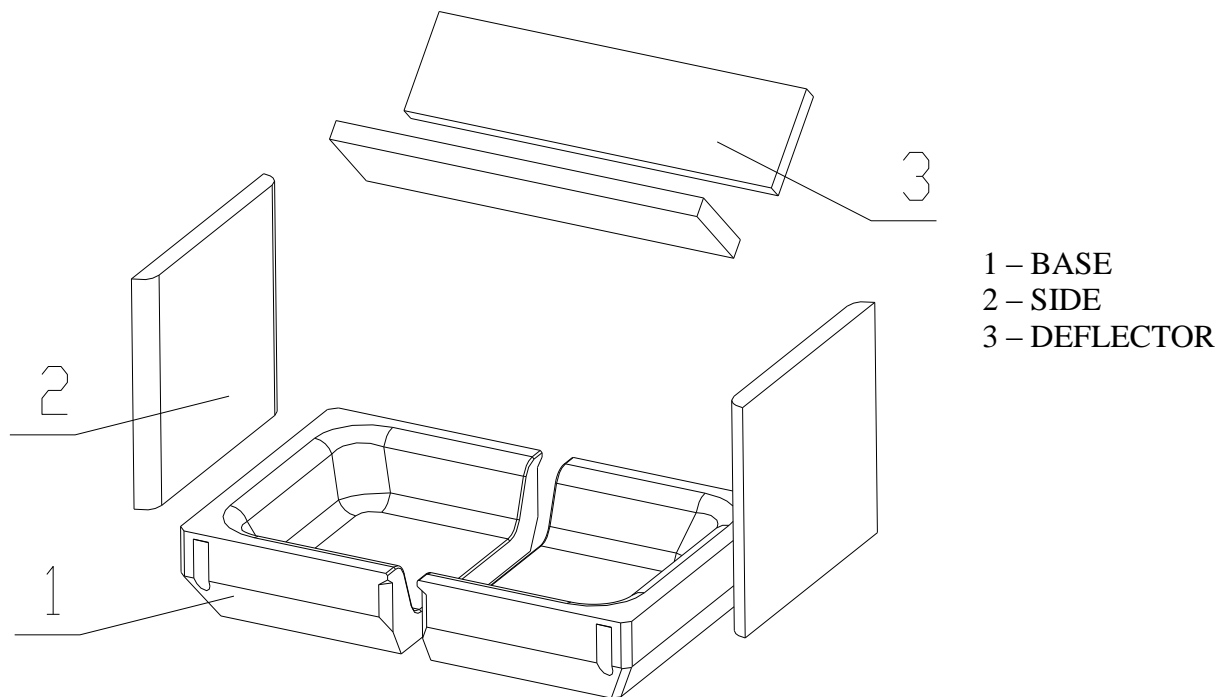


- |   |  |
|---|--|
| <ul style="list-style-type: none"> <li><b>1. Smoke flue bellmouth</b></li> <li><b>2. Steel deflector</b></li> <li><b>3. Vermiculite deflector</b></li> <li><b>4. Refractory concrete Carcon</b></li> <li><b>5. Glass</b></li> </ul> | <ul style="list-style-type: none"> <li><b>6. Base Carcon</b></li> <li><b>7. Control of air suction regulation for combustion</b></li> <li><b>8. External air input</b></li> <li><b>9. Frame</b></li> </ul> |
|---|--|

**Technical data:**

Nominal heat output	kW	14
Efficiency	%	82
Volume flow of combustion products	g/s	10,6
Flue - gas temperature	°C	242
Min. feed pressure at nom.heat output	Pa	12
Fuel		wood (beech logs)
Fuel consumption per hour	kg/h	4
CO emission in burnt gas (in relation to 13% O <sub>2</sub> )	%	0,098
Smoke flue diameter	mm	200
Weight	kg	195

## Assembly of a fire-brick firebox:



BeF Home, s.r.o. Kotvrdovice 277 679 07 Kotvrdovice IČO: 25524682	<b>BêF</b> home	CE 11
Type: <b>Twin 9</b> Version: <b>Tvin 9,Tvin V9,Twin VV9</b> Test number: <b>30-11253</b> Notified person: <b>1015 EN 13229</b> Heat output: <b>14kW capacity for heating</b> Efficiency: <b>82,82 %</b> CO emission in burnt gas (in relation to 13% O <sub>2</sub> ): <b>0,098 %</b> Burnt gas temperature: <b>242 °C</b> Distance from adjacent combustible materials: <b>8cm + 10cm thermal insulation</b>		
Fuel: <b>wood (beech logs)</b> <b>Wood-burning fireplace insert for room heating.</b>		
<b>Peruse and keep service instructions!</b> <b>Appliance with short-term combustion process!</b>		

<sup>1)</sup> For details see Installation and Service Instructions