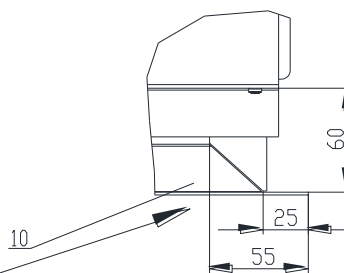
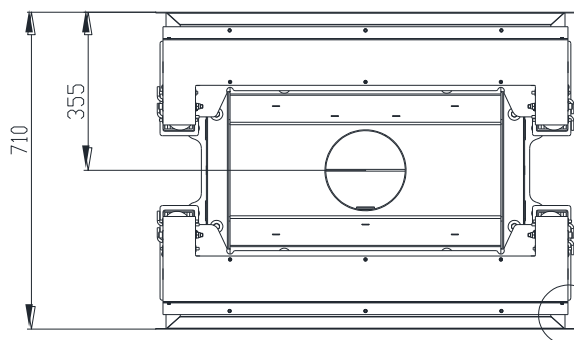
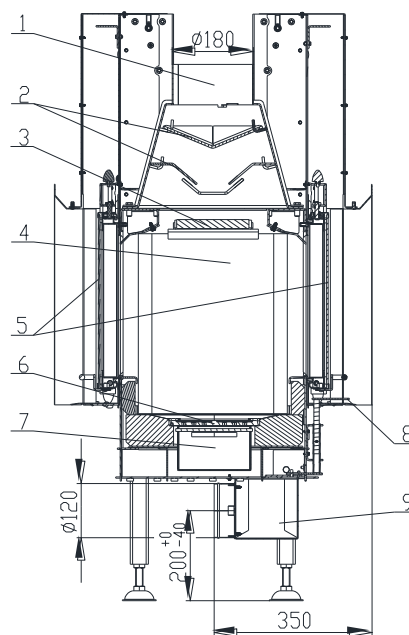
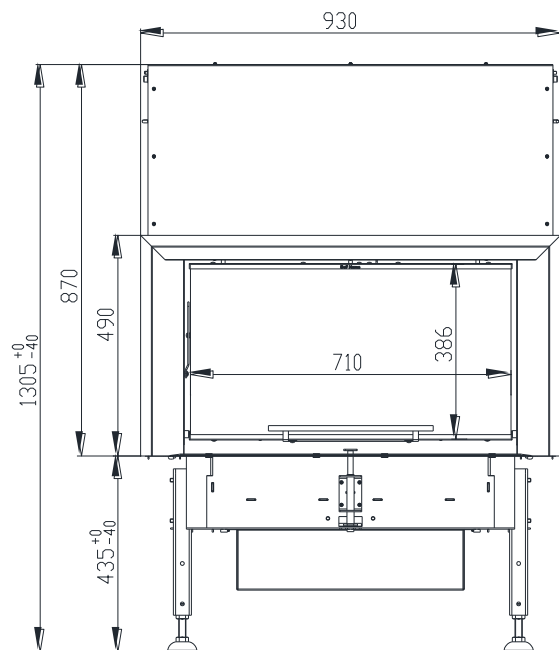


FIREPLACE INSERT TWIN VV8 in accordance with EN 13 229 – W



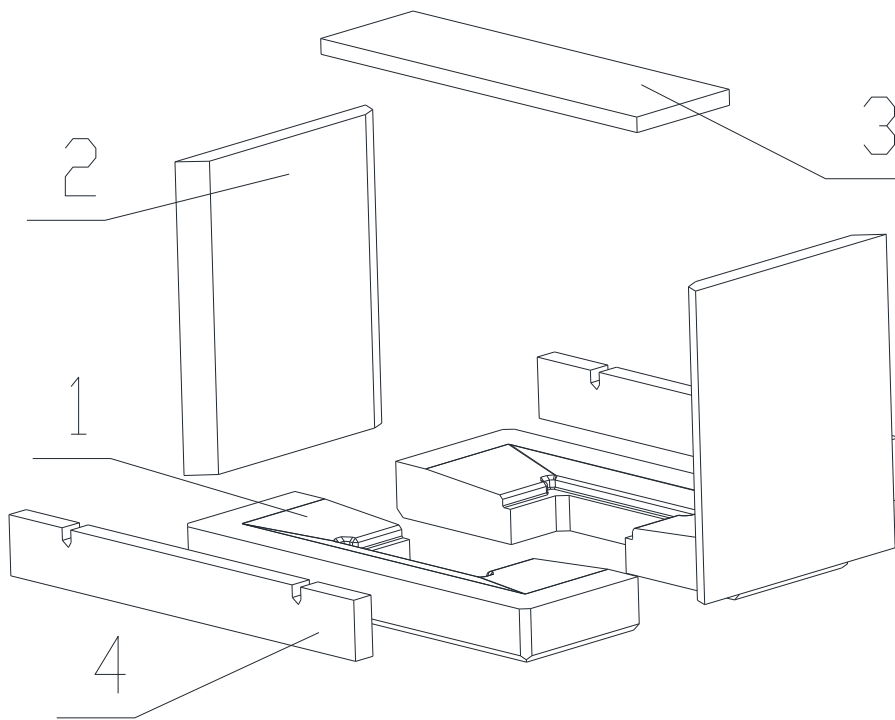
- 1. Flue bellmouth
- 2. Deflector
- 3. Deflector
- 4. sidewall Carcon
- 5. Glass

- 6. Grate
- 7. Ash Tray
- 8. Inlet regulativ
- 9. External air input
- 10. Frame

Technical data:

Nominal heat output	kW	10
Efficiency	%	80,21
Volume flow of combustion products	g/s	9,3
Flue-gas temperature	°C	240
Min. feed pressure at nom. heat output	Pa	12
Fuel		wood (beech logs)
Fuel consumption per hour	kg/h	2,76
CO emission in burnt gas (in relation to 13% O ₂) %		0,0993
Smoke flue diameter	mm	180
Weight	kg	245

Assembly of a fire-brick firebox:



- 1 – BASE
- 2 – SIDE WALL
- 3 – DEFLECTOR
- 4 – FRONT WALL

BeF Home, s.r.o. Kotvrdovice 277 679 07 Kotvrdovice IČO: 25524682	BeF home	CE 12
Type: Twin 8 Version: Tvin 8, Tvin V8, Twin VV8 Test number: 30-11624 Notified person: 1015 EN 13229 Heat output: 10kW capacity for heating Efficiency: 80,21 % CO emission in burnt gas (in relation to 13% O ₂): 0,0993 % Burnt gas temperature: 240 °C Distance from adjacent combustible materials: 8cm + 10cm thermal insulation		
Fuel: wood (beech logs) Wood-burning fireplace insert for room heating.		
Peruse and keep service instructions! Appliance with short-term combustion process!		

1) For details see Installation and Service Instructions