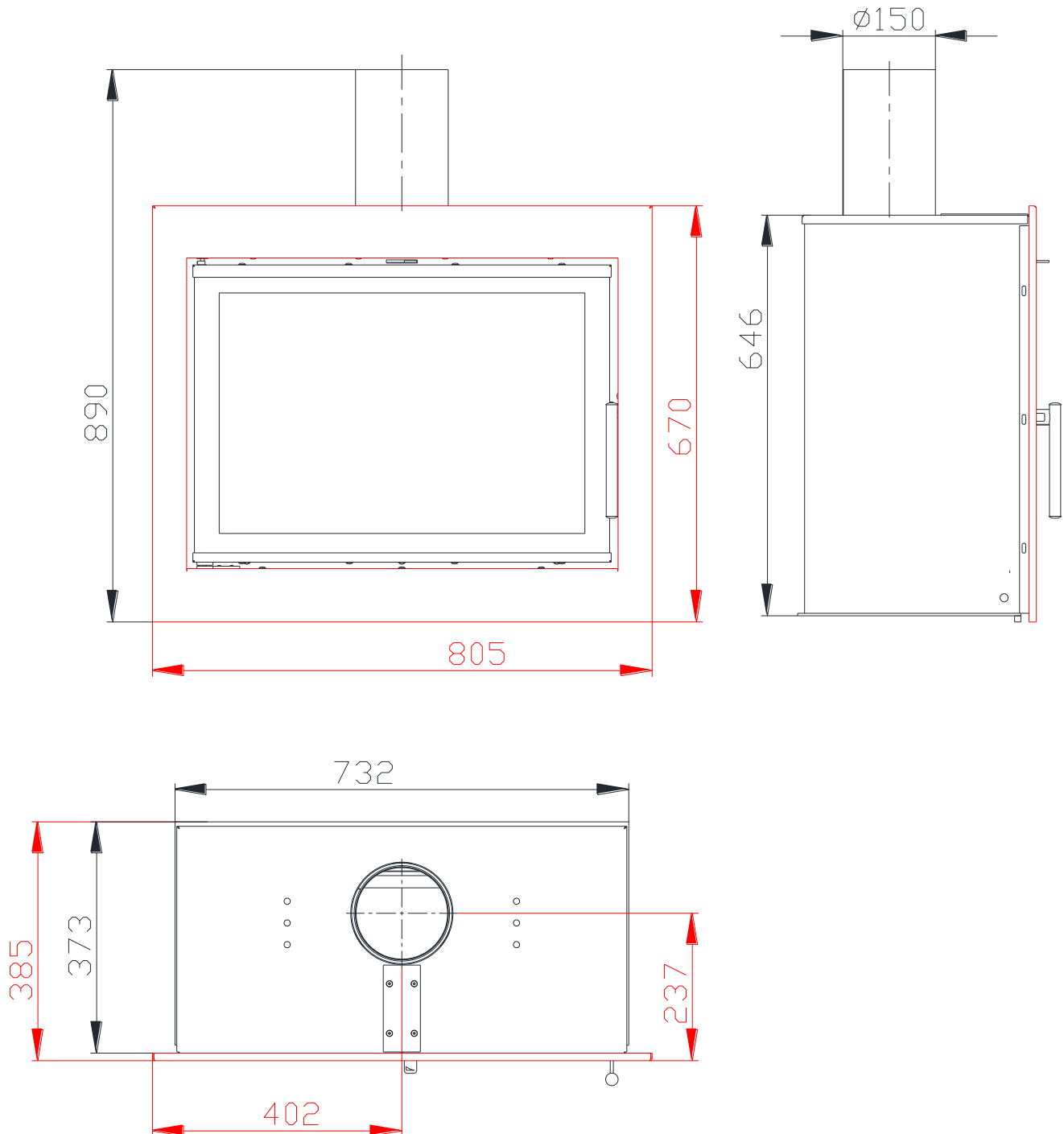


**FIREPLACE CASSETTE BEF EFFI 7**  
**IN ACCORDANCE WITH EN 13 229**

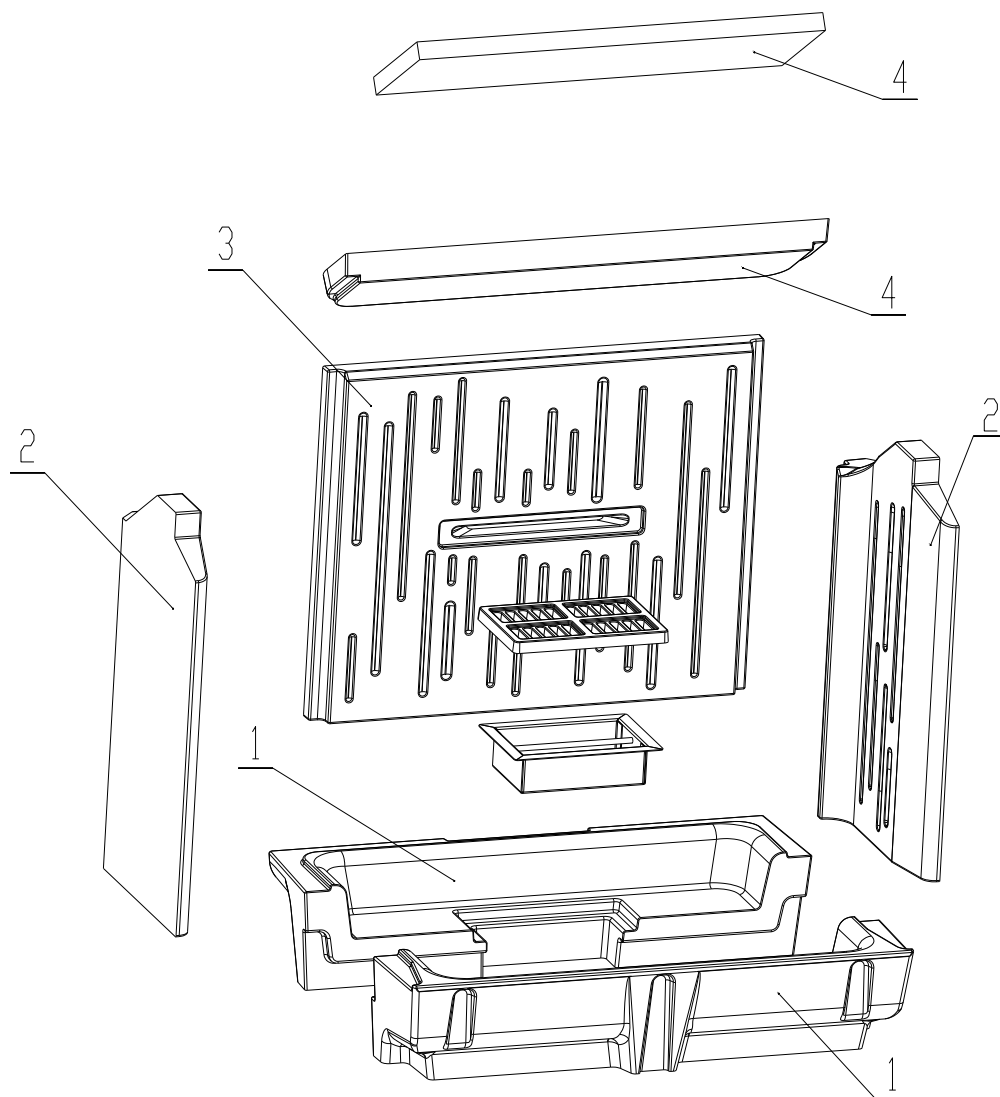


# **FIREPLACE CASSETTE BEF EFFI 7** **IN ACCORDANCE WITH EN 13 229**

## **Technical data:**

|   |                    |                   |
|---|--------------------|-------------------|
| Nominal heat output   | kW                 | 7                 |
| Efficiency  | %                  | 82,2              |
| Volume flow of combustion products                            | g/s                | 6,5               |
| Flue-gas temperature  | °C                 | 232               |
| Min. feed pressure at nominal heat output                     | Pa                 | 12                |
| Fuel  |                    | wood (beech logs) |
| Fuel consumption per hour                                     | kg/h               | 2,45              |
| CO emission in burnt gas (in relation to 13% O <sub>2</sub> ) | %                  | 0,0811            |
| Dust in flue-gas (in relation to 13% O <sub>2</sub> )         | mg/Nm <sup>3</sup> | 18                |
| Smoke flue diameter   | mm                 | 150               |
| Weight  | kg                 | 123               |

## **Set of carcon firebox:**



- 1. BOTTOM**
- 2. SIDE PIECE**
- 3. BACK**
- 4. DEFLECTOR**

For details see Installation and Service Instructions.