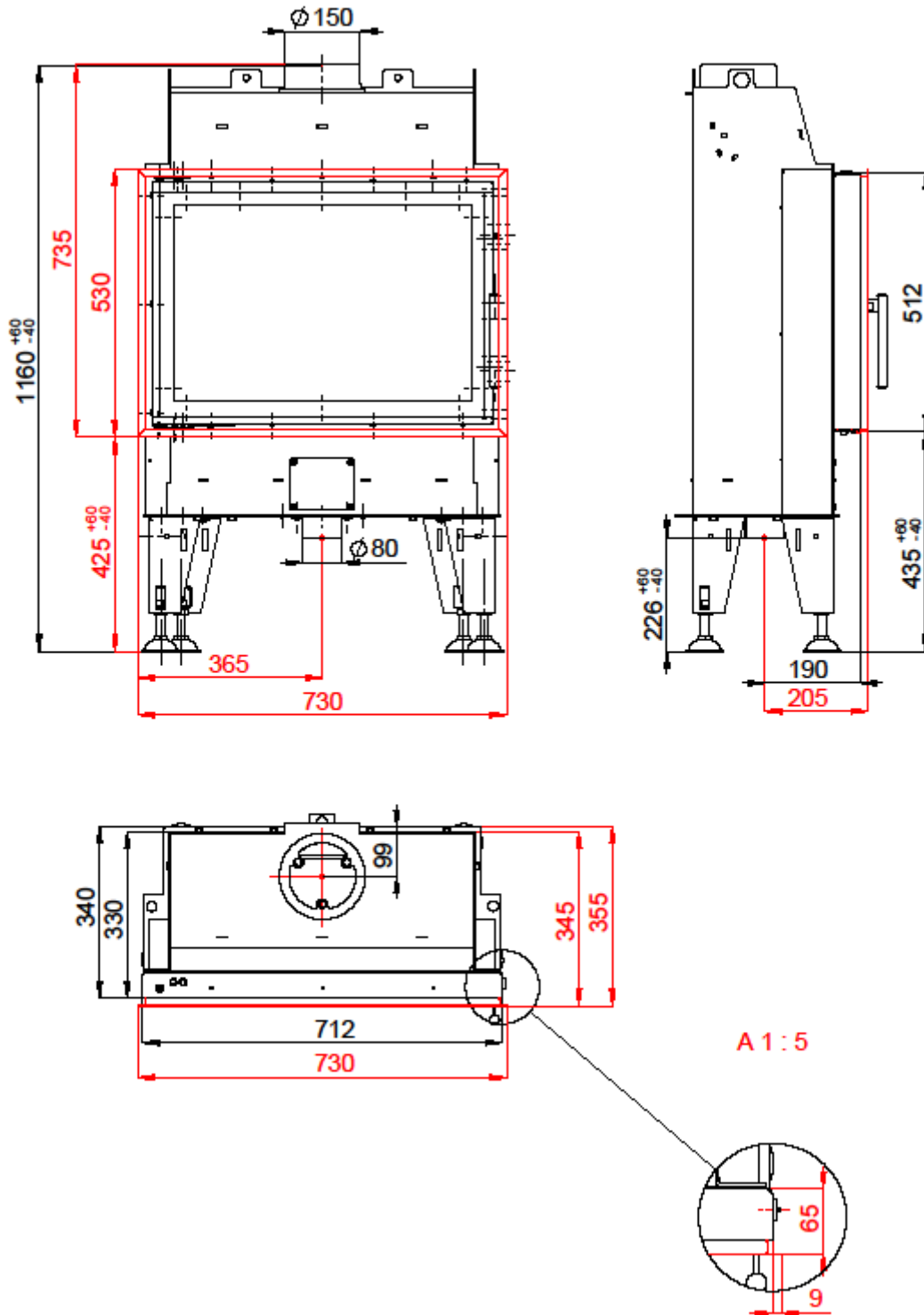


FIREPLACE INSERT BEF PASSIVE 7 IN ACCORDANCE WITH EN 13 229

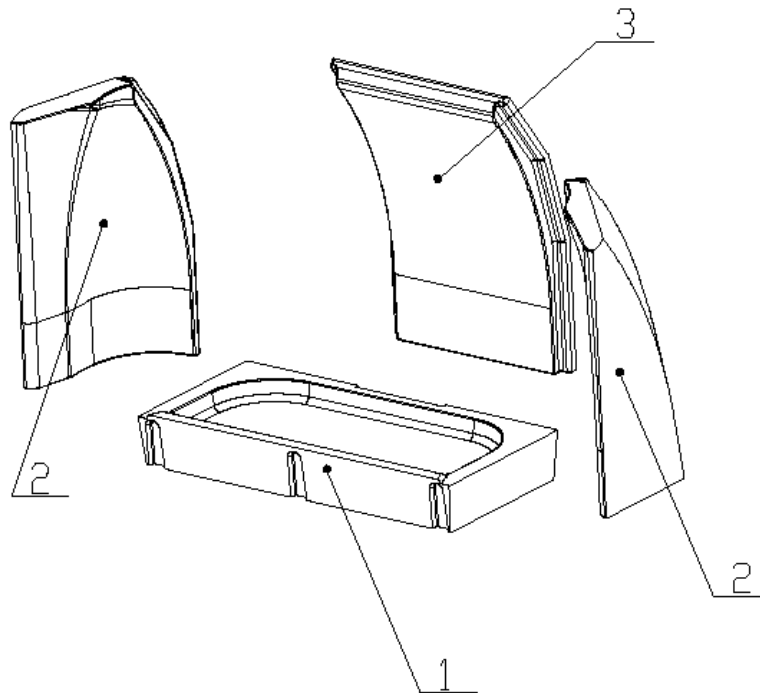


FIREPLACE INSERT BEF PASSIVE 7 **IN ACCORDANCE WITH EN 13 229**

Technical data:

| | | |
|---|--------------------|-------------------|
| Nominal heat output | kW | 4,8 |
| Efficiency | % | 84 |
| Volume flow of combustion products | g/s | 4,2 |
| Flue-gas temperature | °C | 201 |
| Min. feed pressure at nominal heat output | Pa | 12 |
| Fuel | | wood (beech logs) |
| Fuel consumption per hour | kg/h | 1,4 |
| CO emission in burnt gas (in relation to 13% O ₂) | % | 0,0893 |
| Dust in flue-gas (in relation to 13% O ₂) | mg/Nm ³ | 16 |
| Smoke flue diameter | mm | 150 |
| Weight | kg | 129 |

Set of carcon firebox:



- 1. BOTTOM**
- 2. SIDE PIECE**
- 3. BACK**

For details see Installation and Service Instructions.