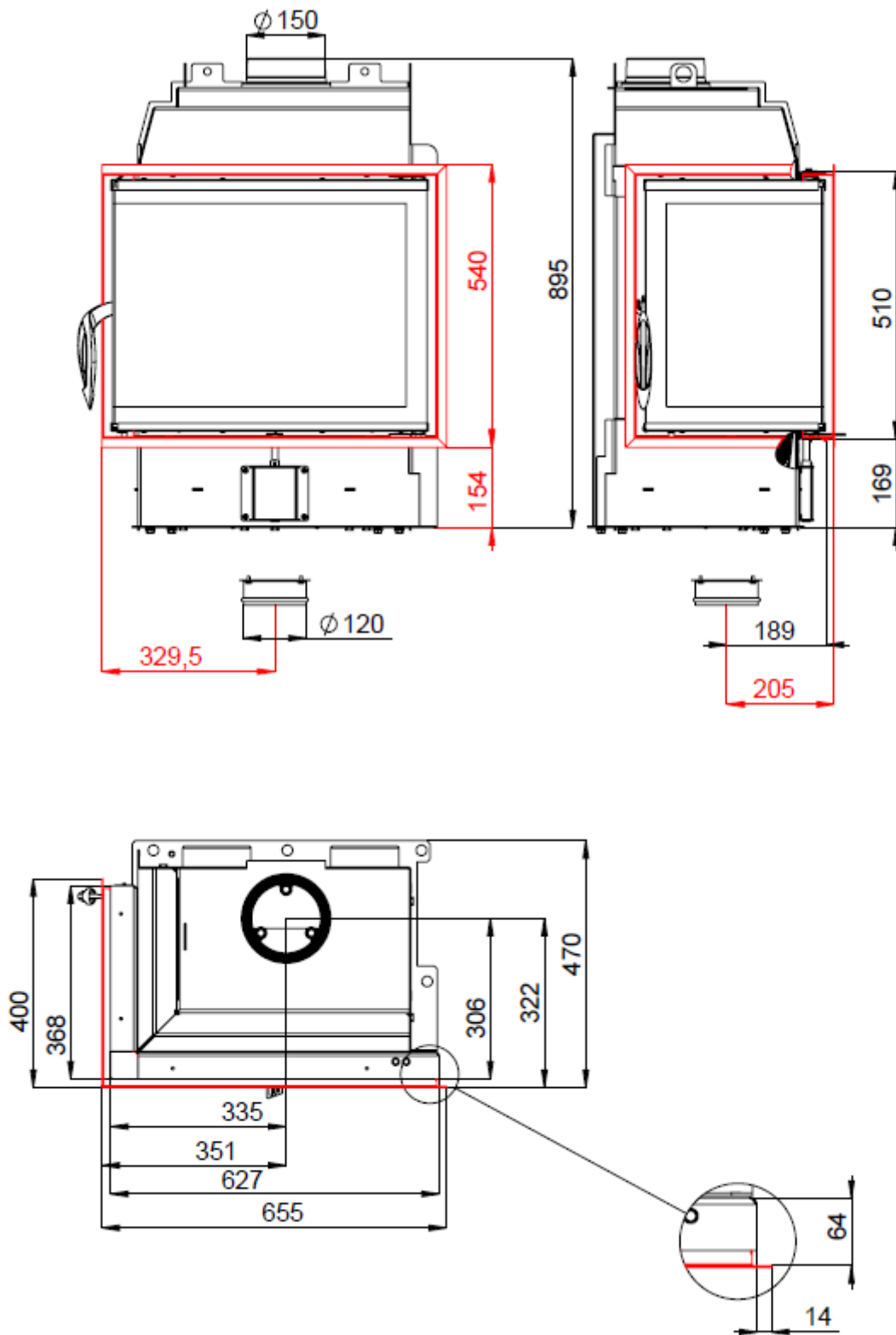


# FIREPLACE INSERT FIRE BEAR 7 CL IN ACCORDANCE WITH EN 13 229

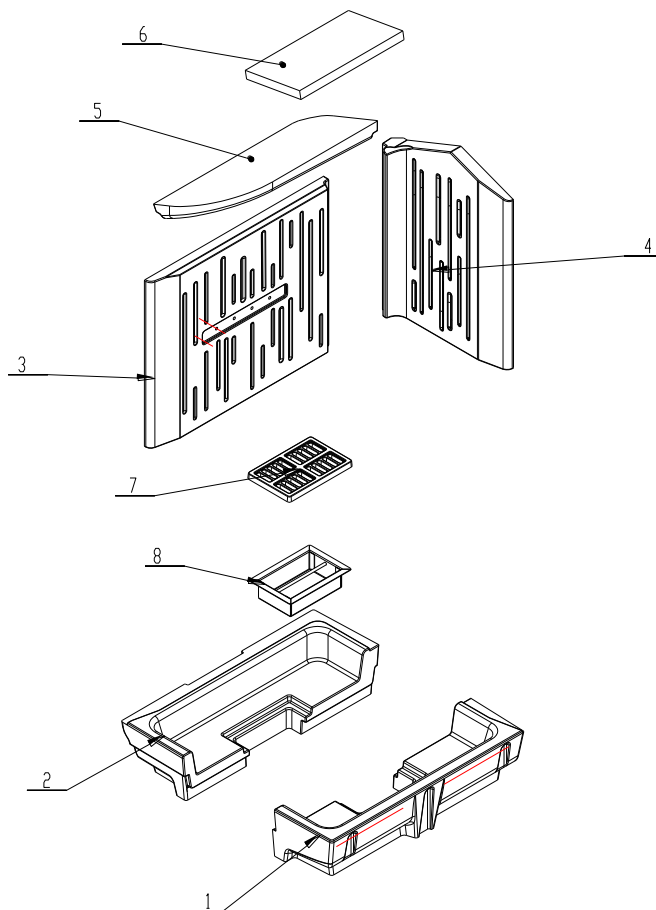


# FIREPLACE INSERT FIRE BEAR 7 CL IN ACCORDANCE WITH EN 13 229

## Technical data:

Nominal heat output	kW	7,4
Efficiency	%	82
Volume flow of combustion products	g/s	5,6
Flue-gas temperature	°C	264
Min. feed pressure at nominal heat output	Pa	12
Fuel		wood (beech logs)
Fuel consumption per hour	kg/h	2
CO emission in burnt gas (in relation to 13% O <sub>2</sub> )	%	0,0868
Dust in flue-gas (in relation to 13% O <sub>2</sub> )	mg/Nm <sup>3</sup>	19
Smoke flue diameter	mm	150
Weight	kg	

## Set of carcon firebox:



## List of spare parts:

1. Bottom
2. Bottom
3. Back
4. Side piece
5. Deflector
6. Deflector
7. Cast iron grate
8. Ashtray

For details see Installation and Service Instructions.