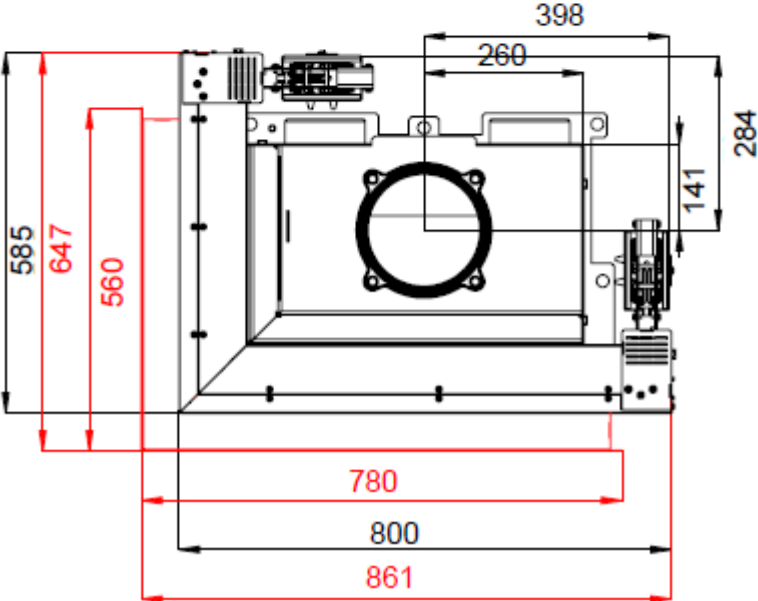
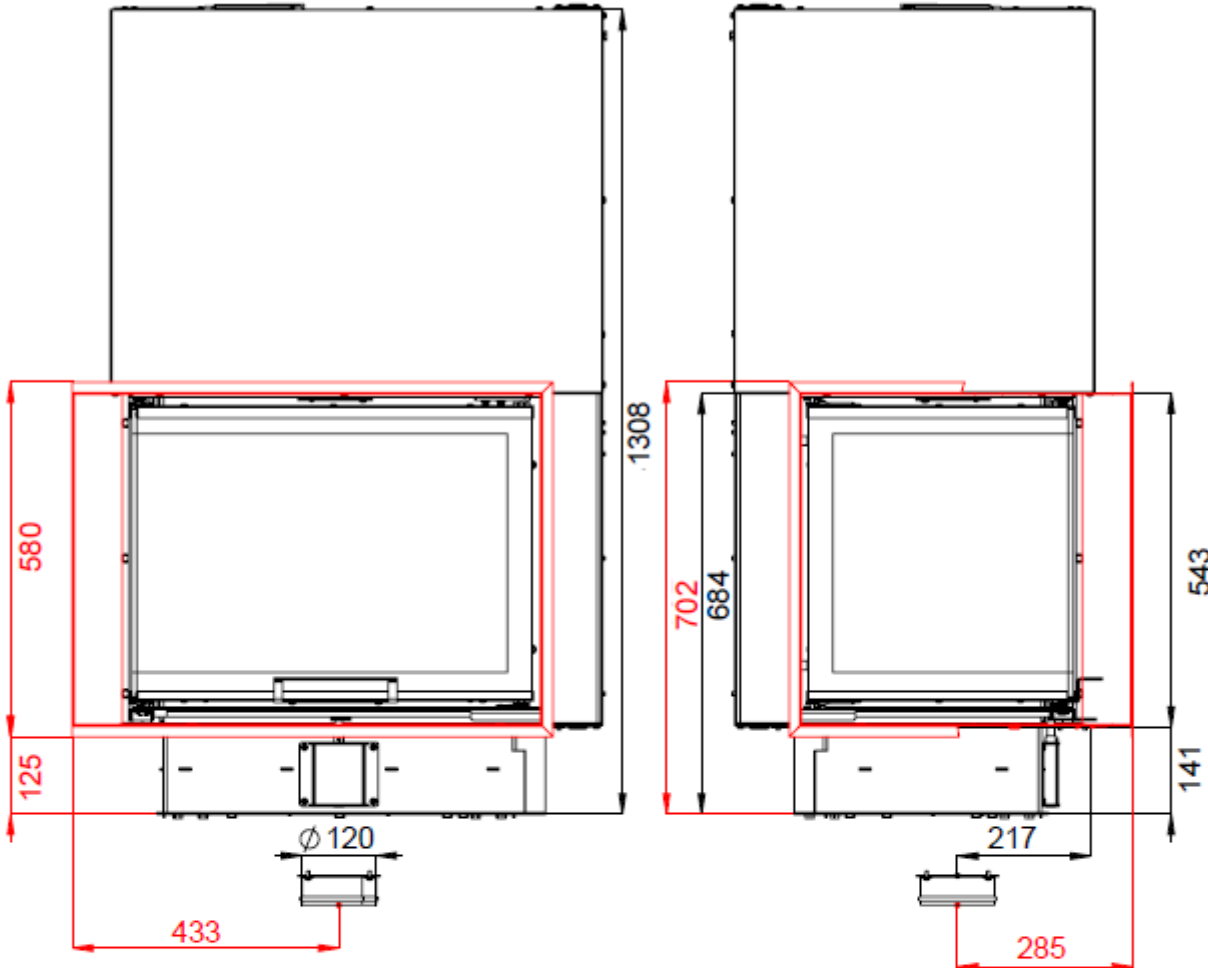


FIREPLACE INSERT FIRE BEAR V 8 CL
IN ACCORDANCE WITH EN 13 229

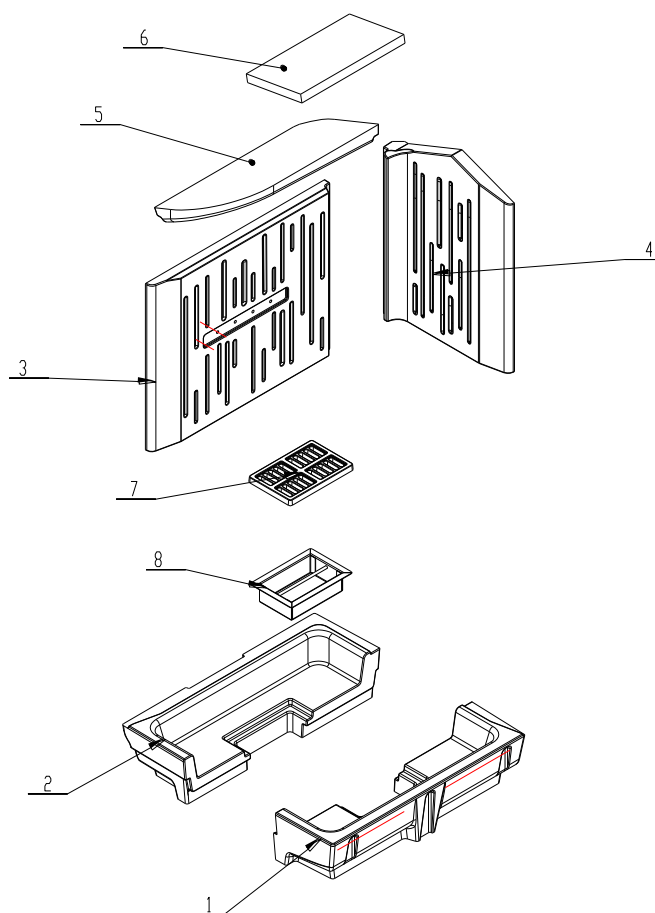


FIREPLACE INSERT FIRE BEAR V 8 CL IN ACCORDANCE WITH EN 13 229

Technical data:

Nominal heat output	kW	8
Efficiency	%	83,9
Volume flow of combustion products	g/s	6
Flue-gas temperature	°C	257
Min. feed pressure at nominal heat output	Pa	12
Fuel		wood (beech logs)
Fuel consumption per hour	kg/h	2,7
CO emission in burnt gas (in relation to 13% O ₂)	%	0,087
Dust in flue-gas (in relation to 13% O ₂)	mg/Nm ³	18
Smoke flue diameter	mm	200
Weight	kg	

Set of carcon firebox:



List of spare parts:

1. Bottom
2. Bottom
3. Back
4. Side piece
5. Deflector
6. Deflector
7. Cast iron grate
8. Ashtray

For details see Installation and Service Instructions.