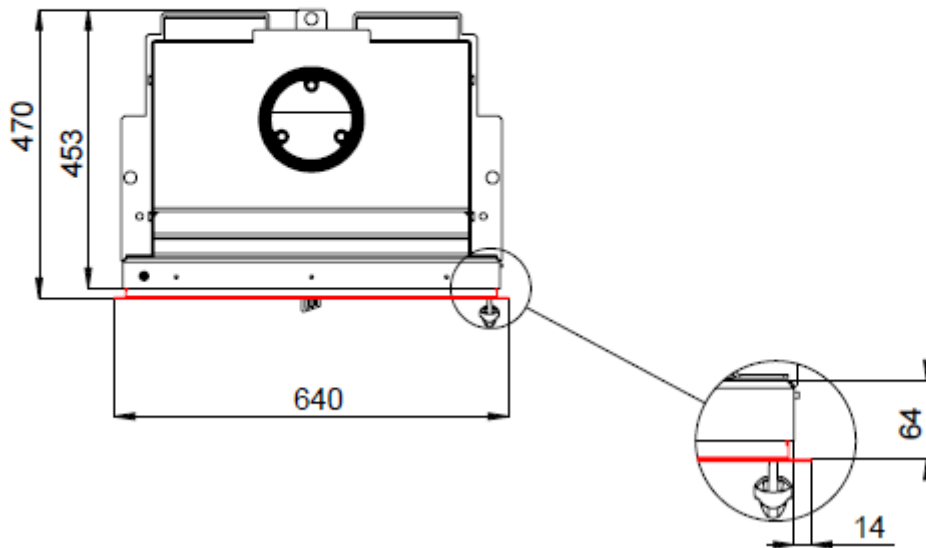
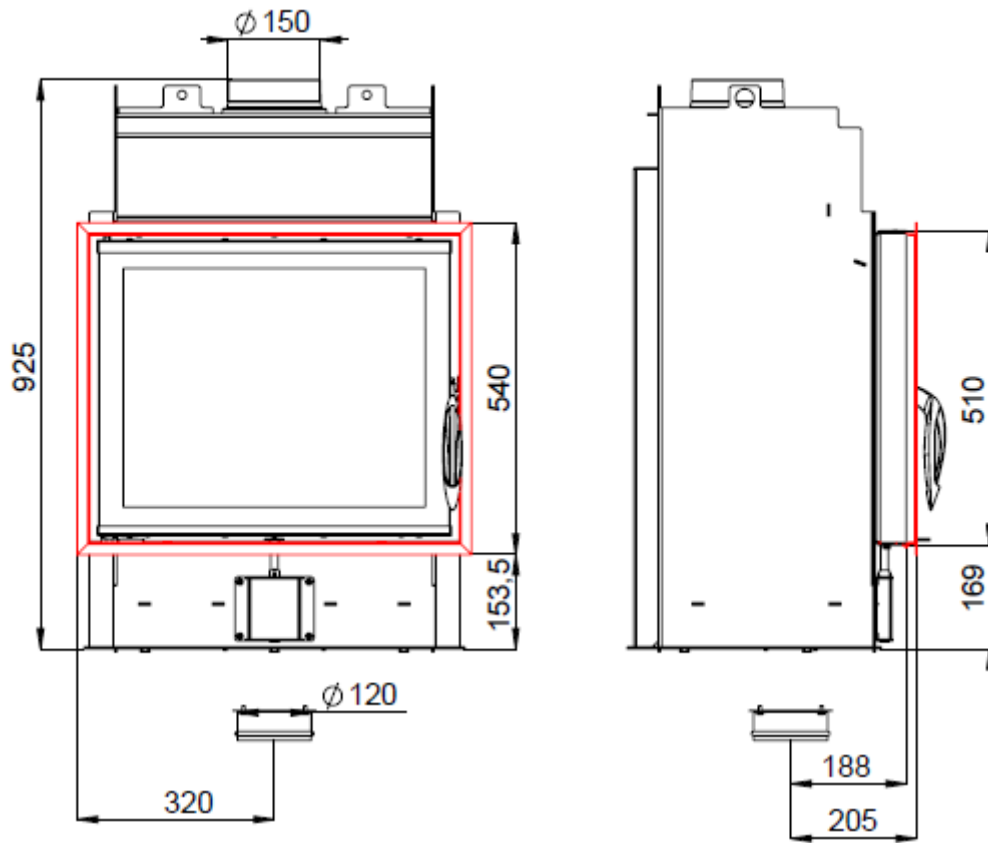


# **FIREPLACE INSERT FIRE BEAR 6** **IN ACCORDANCE WITH EN 13 229**

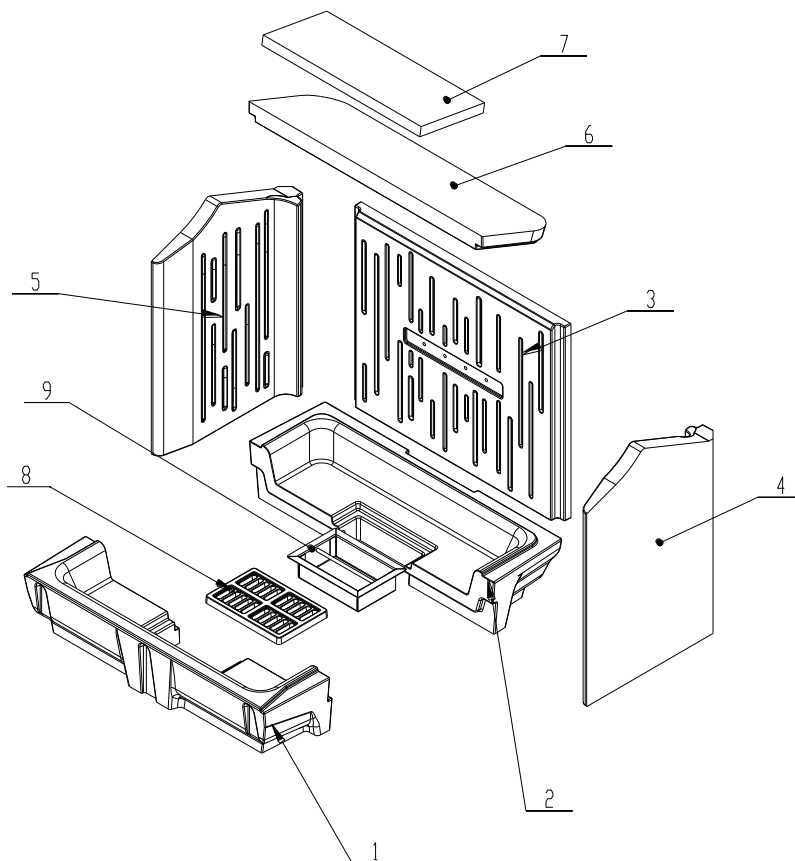


# **FIREPLACE INSERT FIRE BEAR 6** **IN ACCORDANCE WITH EN 13 229**

## **Technical data:**

Nominal heat output	kW	6
Efficiency	%	82
Volume flow of combustion products	g/s	4,6
Flue-gas temperature	°C	262
Min. feed pressure at nominal heat output	Pa	12
Fuel		wood (beech logs)
Fuel consumption per hour	kg/h	1,85
CO emission in burnt gas (in relation to 13% O <sub>2</sub> )	%	0,0873
Dust in flue-gas (in relation to 13% O <sub>2</sub> )	mg/Nm <sup>3</sup>	17
Smoke flue diameter	mm	150
Weight	kg	

## **Set of carcon firebox:**



## **List of spare parts:**

1. Bottom
2. Bottom
3. Back
4. Side piece
5. Side piece
6. Deflector
7. Deflector
8. Cast iron grate
9. Ashtray

For details see Installation and Service Instructions.