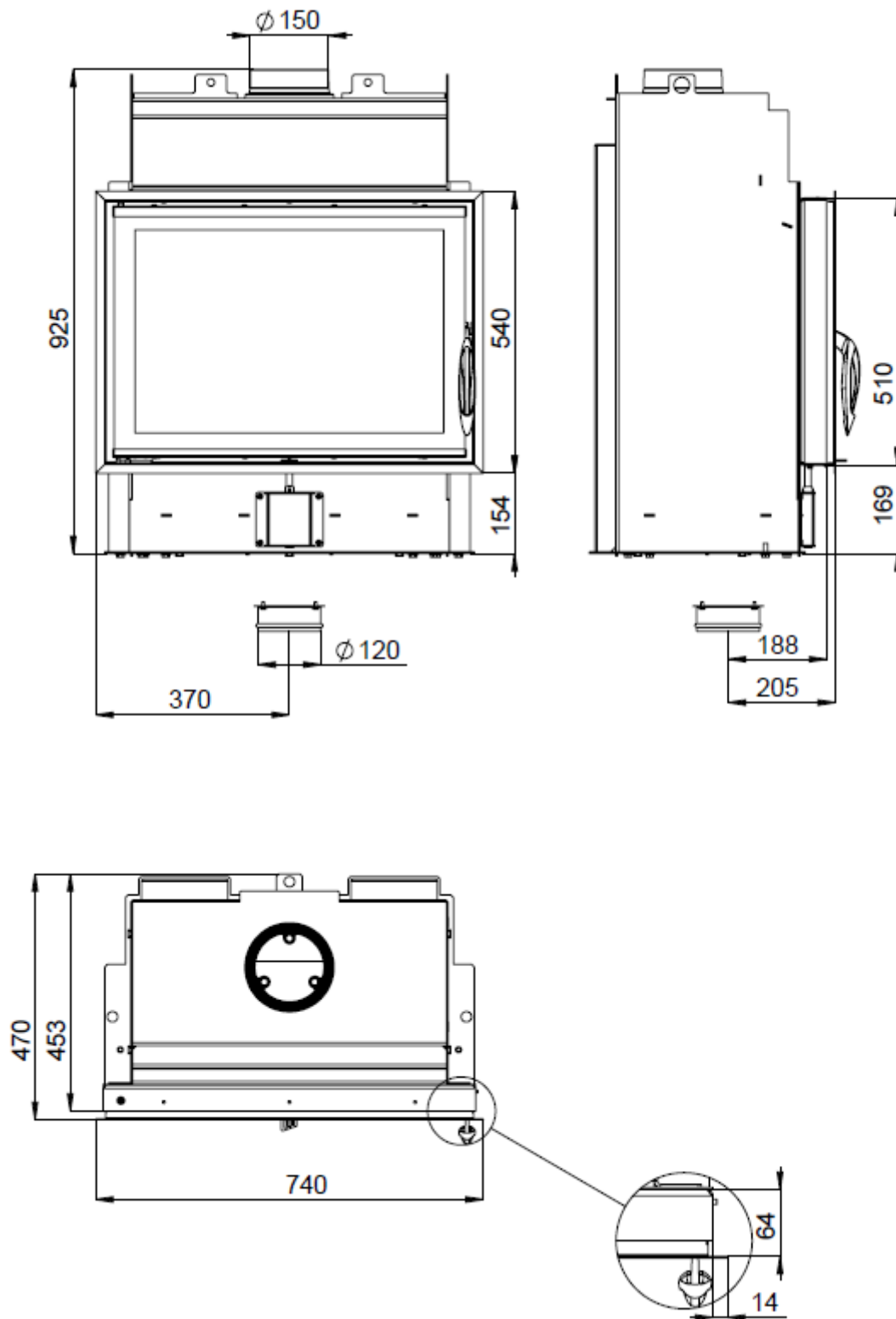


FIREPLACE INSERT FIRE BEAR 7 IN ACCORDANCE WITH EN 13 229

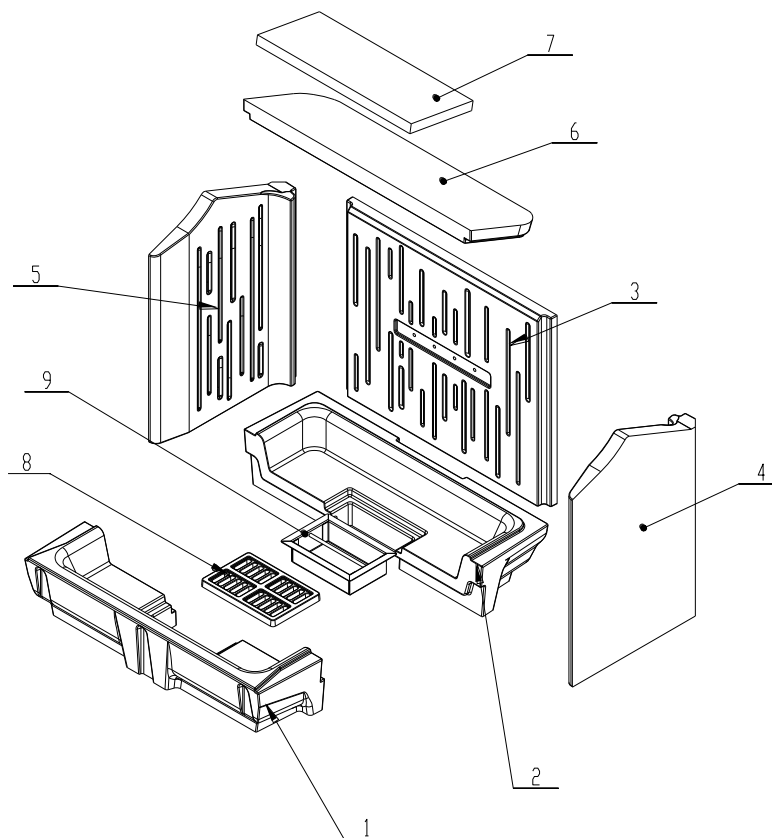


FIREPLACE INSERT FIRE BEAR 7 **IN ACCORDANCE WITH EN 13 229**

Technical data:

Nominal heat output	kW	7,4
Efficiency	%	82
Volume flow of combustion products	g/s	5,6
Flue-gas temperature	°C	264
Min. feed pressure at nominal heat output	Pa	12
Fuel		wood (beech logs)
Fuel consumption per hour	kg/h	2
CO emission in burnt gas (in relation to 13% O ₂)	%	0,0868
Dust in flue-gas (in relation to 13% O ₂)	mg/Nm ³	19
Smoke flue diameter	mm	150
Weight	kg	

Set of carcon firebox:



List of spare parts:

- 1. Bottom**
- 2. Bottom**
- 3. Back**
- 4. Side piece**
- 5. Side piece**
- 6. Deflector**
- 7. Deflector**
- 8. Cast iron grate**
- 9. Ashtray**

For details see Installation and Service Instructions.