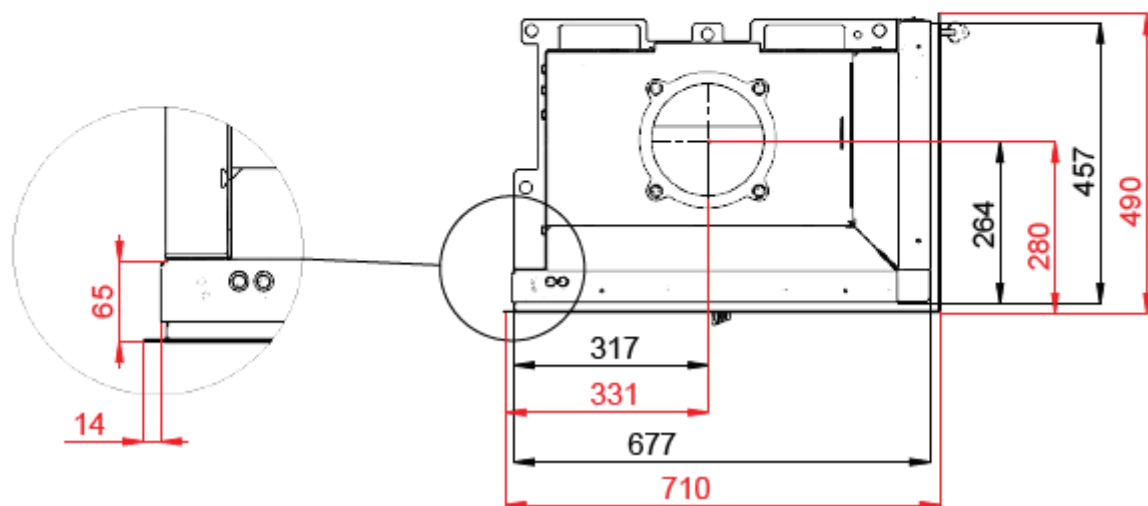
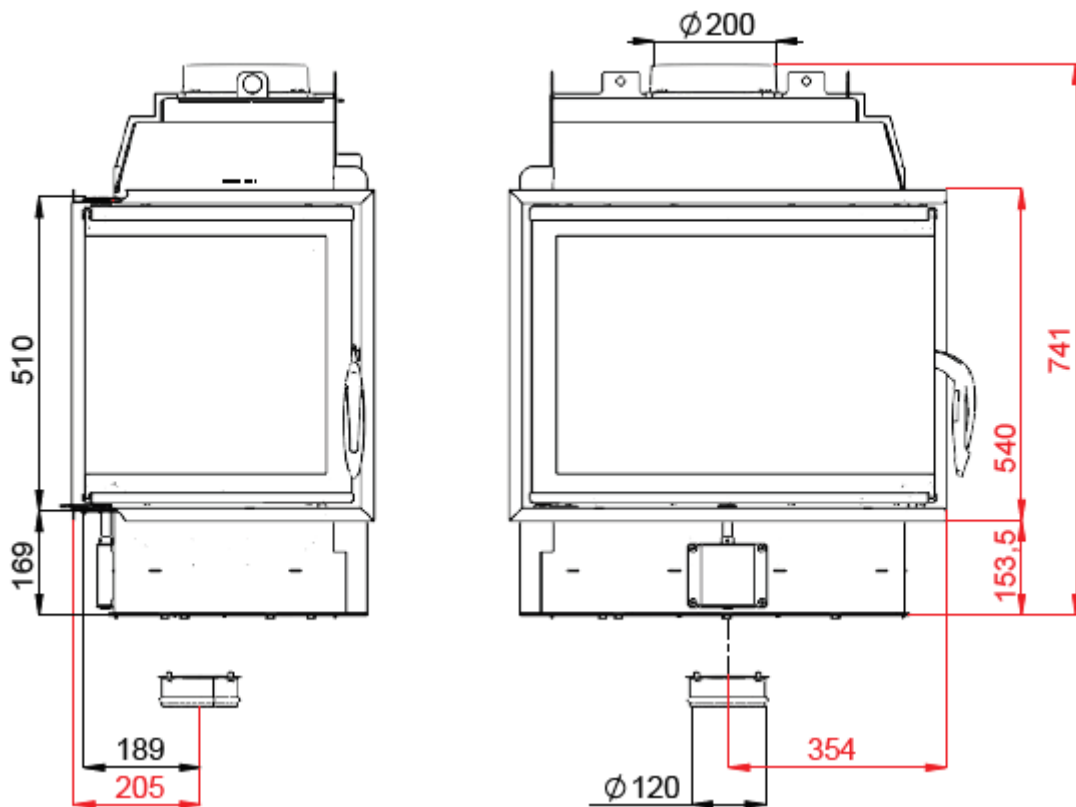


FIREPLACE INSERT FIRE BEAR 8 CP IN ACCORDANCE WITH EN 13 229

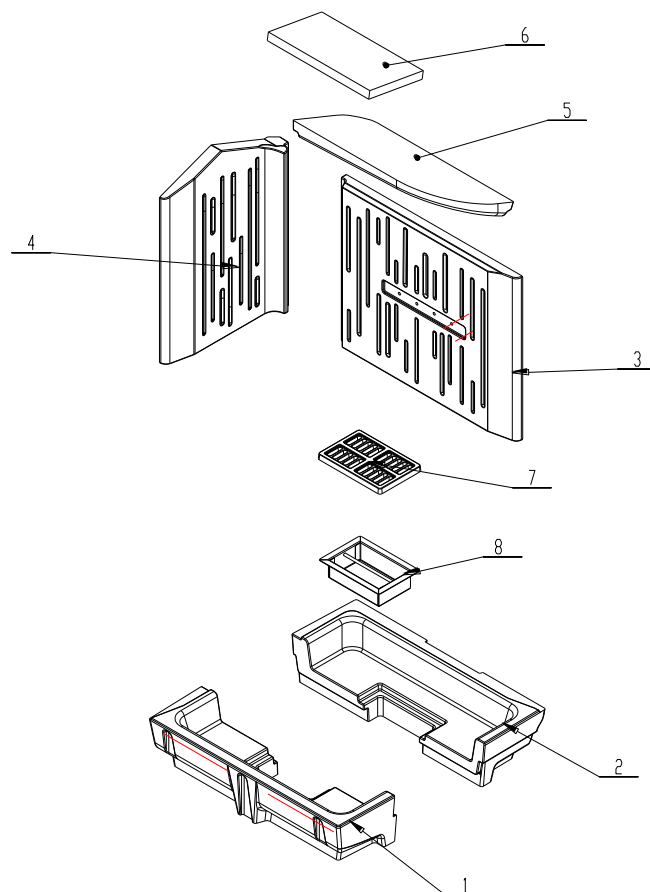


FIREPLACE INSERT FIRE BEAR 8 CP **IN ACCORDANCE WITH EN 13 229**

Technical data:

| | | |
|---|--------------------|-------------------|
| Nominal heat output | kW | 8 |
| Efficiency | % | 83,9 |
| Volume flow of combustion products | g/s | 6 |
| Flue-gas temperature | °C | 257 |
| Min. feed pressure at nominal heat output | Pa | 12 |
| Fuel | | wood (beech logs) |
| Fuel consumption per hour | kg/h | 2,7 |
| CO emission in burnt gas (in relation to 13% O ₂) % | | 0,087 |
| Dust in flue-gas (in relation to 13% O ₂) | mg/Nm ³ | 18 |
| Smoke flue diameter | mm | 200 |
| Weight | kg | |

Set of carcon firebox:



List of spare parts:

- 1. Bottom**
- 2. Bottom**
- 3. Back**
- 4. Side piece**
- 5. Deflector**
- 6. Deflector**
- 7. Cast iron grate**
- 8. Ashtray**

For details see Installation and Service Instructions.