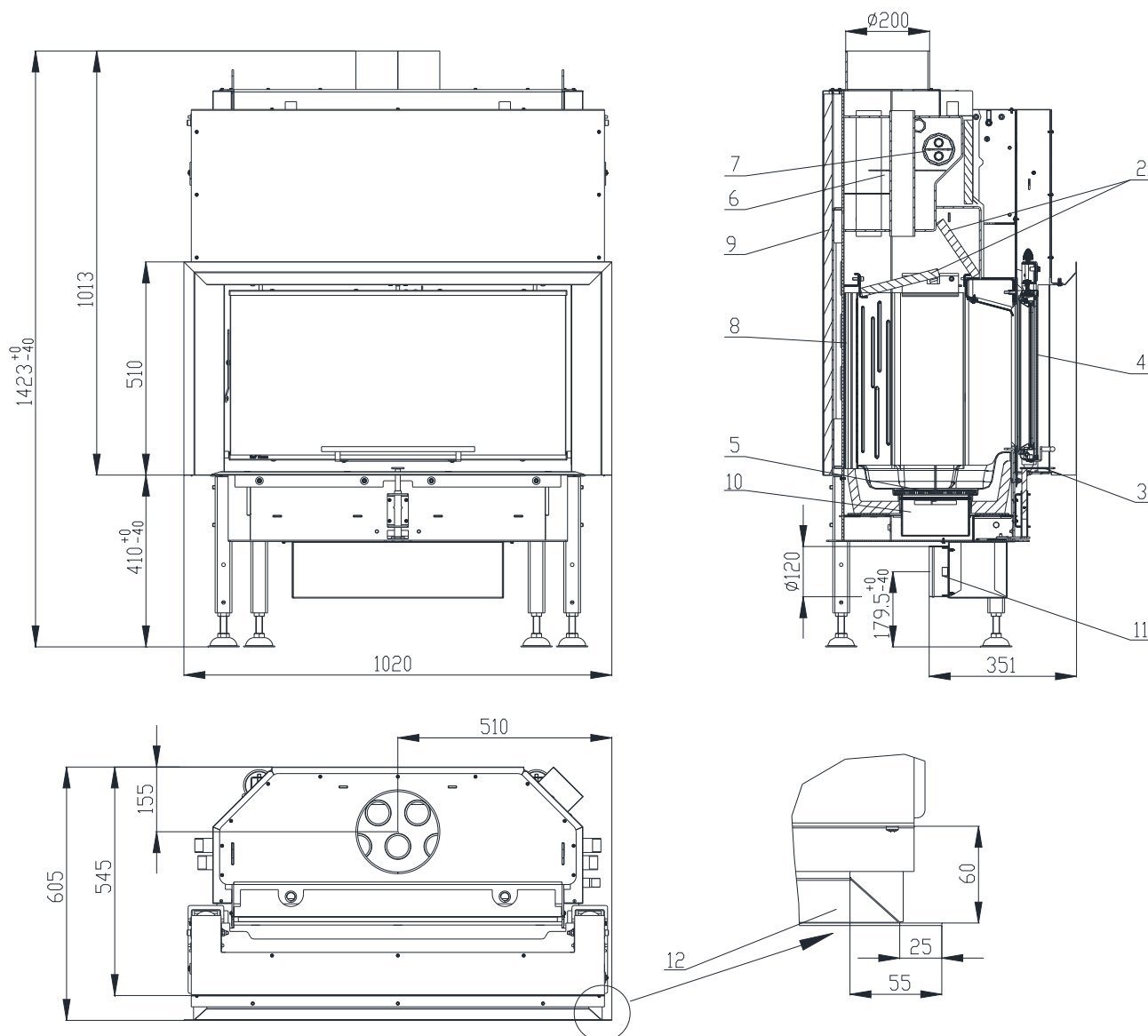


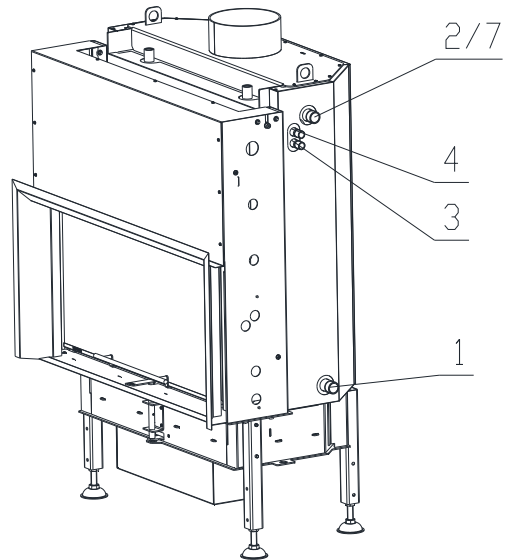
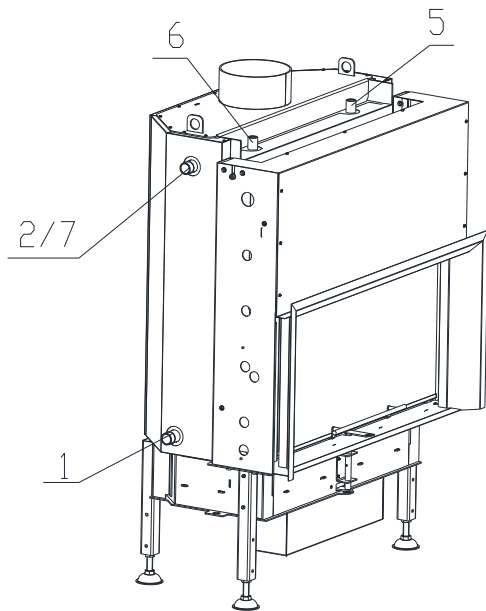
HOT FIREPLACE INSERT WH 100V AQUATIC IN ACCORDANCE WITH EN 13 229



- | | |
|----------------------------------------------------------------------------------------------------------------------------------------------------------------------------------------------------------------|------------------------------------------------------------------------------------------------------------------------------------------------------------------------------------------------------------|
| <ul style="list-style-type: none"> 1. Smoke flue bellmouth 2. Deflectors (Vermiculite) 3. Combustion air regulation 4. Glass 5. Grate 6. Exchanger | <ul style="list-style-type: none"> 7. Coolant loop 8. Refractory concrete (Carcon) 9. Insulation 10. Ash tray 11. External air input 12. Frame |
|----------------------------------------------------------------------------------------------------------------------------------------------------------------------------------------------------------------|------------------------------------------------------------------------------------------------------------------------------------------------------------------------------------------------------------|

Technical data:

Nominal heat output	kW	14,5
Efficiency	%	86
Output into water	kW	9,5
Volume flow of combustion products	g/s	12
Flue – gas temperature	°C	211
Min feed pressure at nominal heat output	Pa	10
Fuel		wood (beech logs)
Fuel consumption per hour	kg/h	4
CO emission in burnt gas(in relation to 13% O2)	%	0,07
Smoke flue diameter	mm	200
Weight	kg	343



- 1 - Cold water input into water exchanger (reverse), external thread 1"
- 2 - Warm water output from water exchanger (rising pipe), external thread 1"
- 3 - Cold water input for coolant loop, external thread 1/2"
- 4 - Warm water output from coolant loop, external thread 1/2"
- 5 - Input for air bleed valve, internal thread 1/2"
- 6 - Pressure valve, internal thread 1/2"
- 7 - Thermic security sensor, external thread 1"

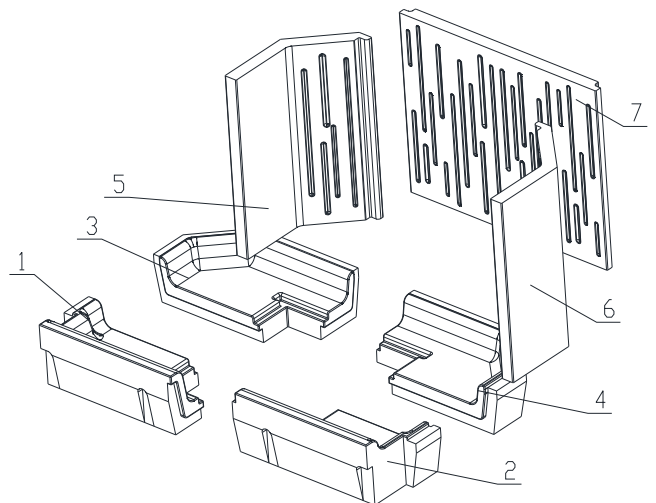
Set of carcon firebox

BeF Home, s.r.o.
Kotvrdovice 277
679 07 Kotvrdovice
IČO: 25524682



Type: **WH 100V**
Version: **100V**,
Test number: **30-11964**
Notified person: **1015** **EN 13229**
Heat output: **14,5 kW** **capacity for heating**
Efficiency: **86%**
CO emission (in relation to 13% O₂): **0,07 %**
Burnt gas temperature: **211 °C**
Distance from adjacent combustible materials: **8cm + 10cm**
thermal insulation
Fuel: **wood (beech logs)**
Wood-burning fireplace insert for room heating

Peruse and keep service instructions!
Appliance with short-term combustion process!



- 1 - Left front bottom
- 2 - Right front bottom
- 3 - Left back bottom
- 4 - Right back bottom

- 5 - Left side
- 6 - Right side
- 7 - Back

For details see Installation and Service Instructions