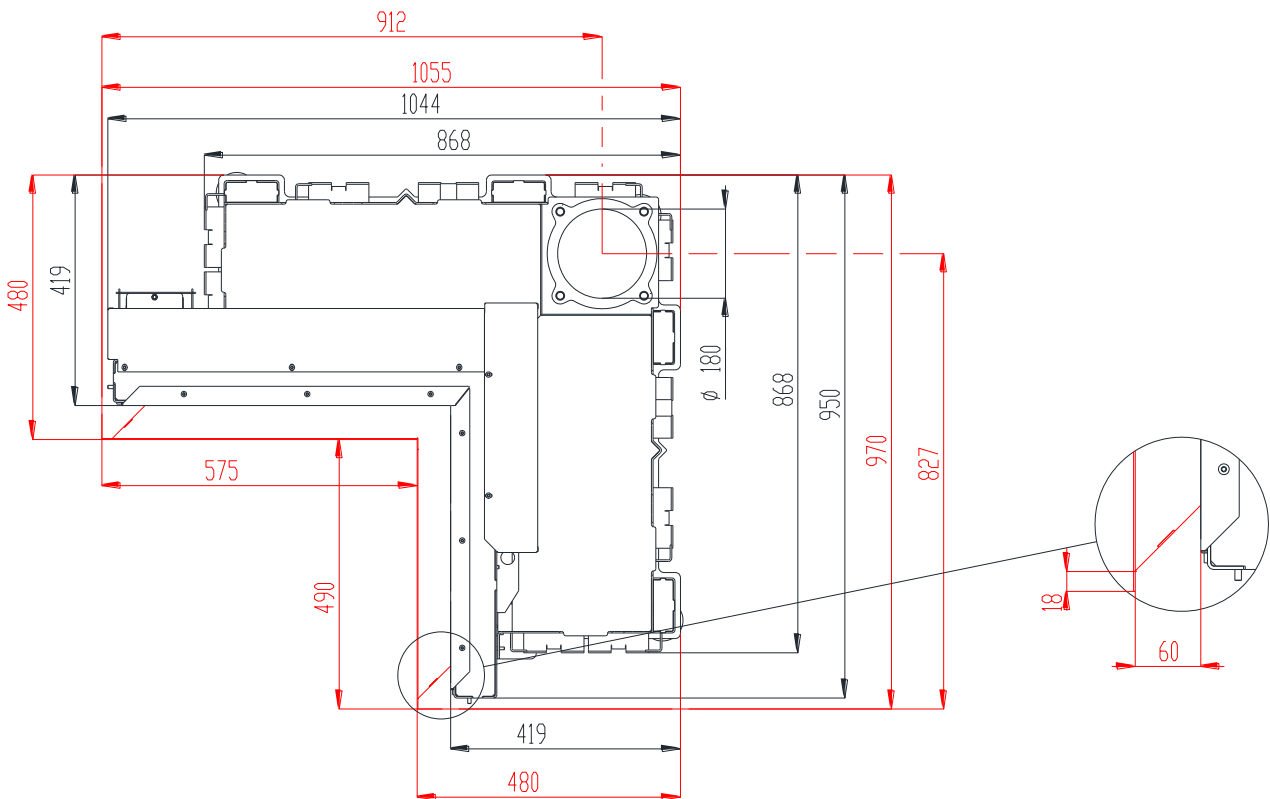
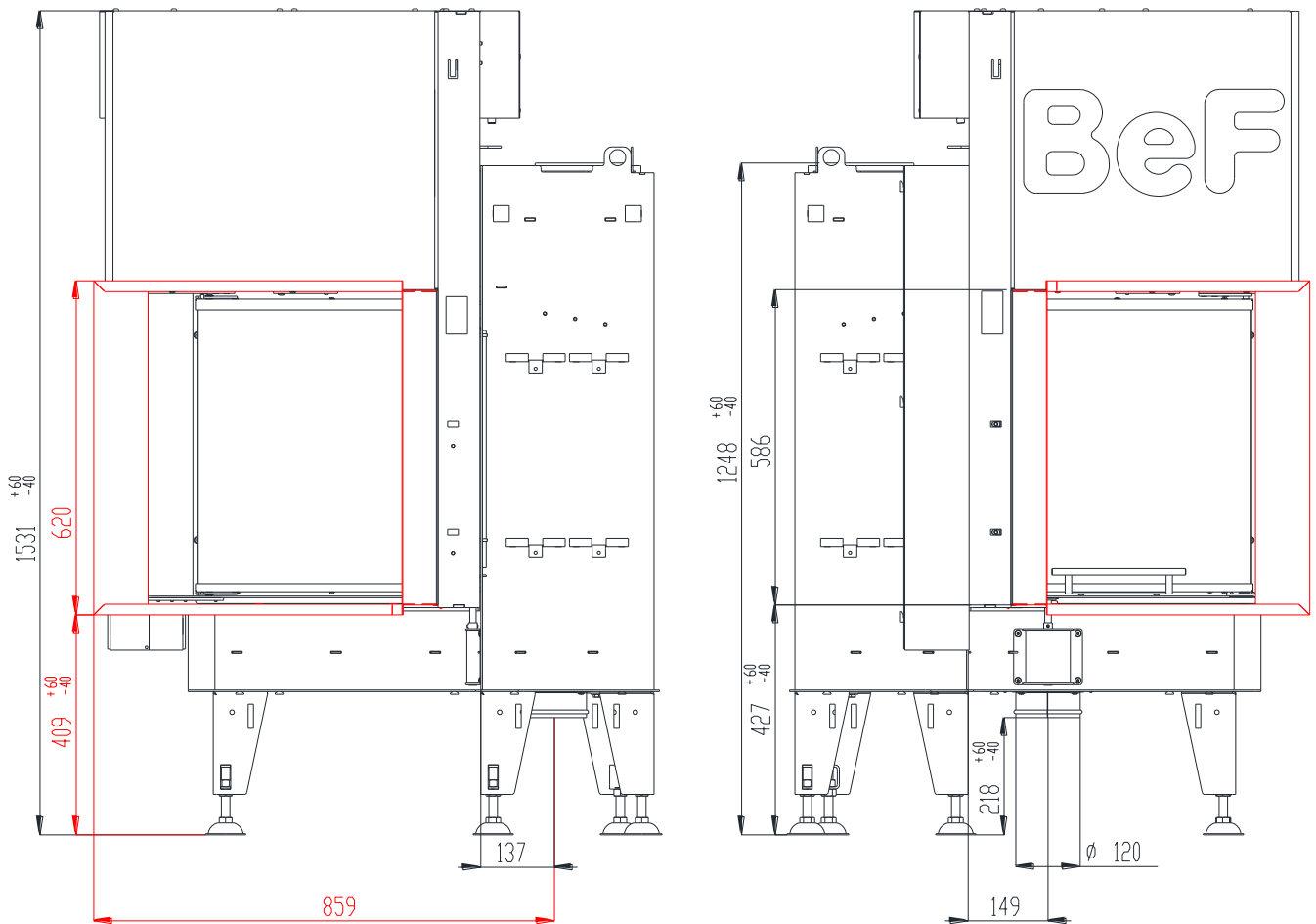


FIREPLACE INSERT BEF FLAT V 4 L IN ACCORDANCE WITH EN 13 229

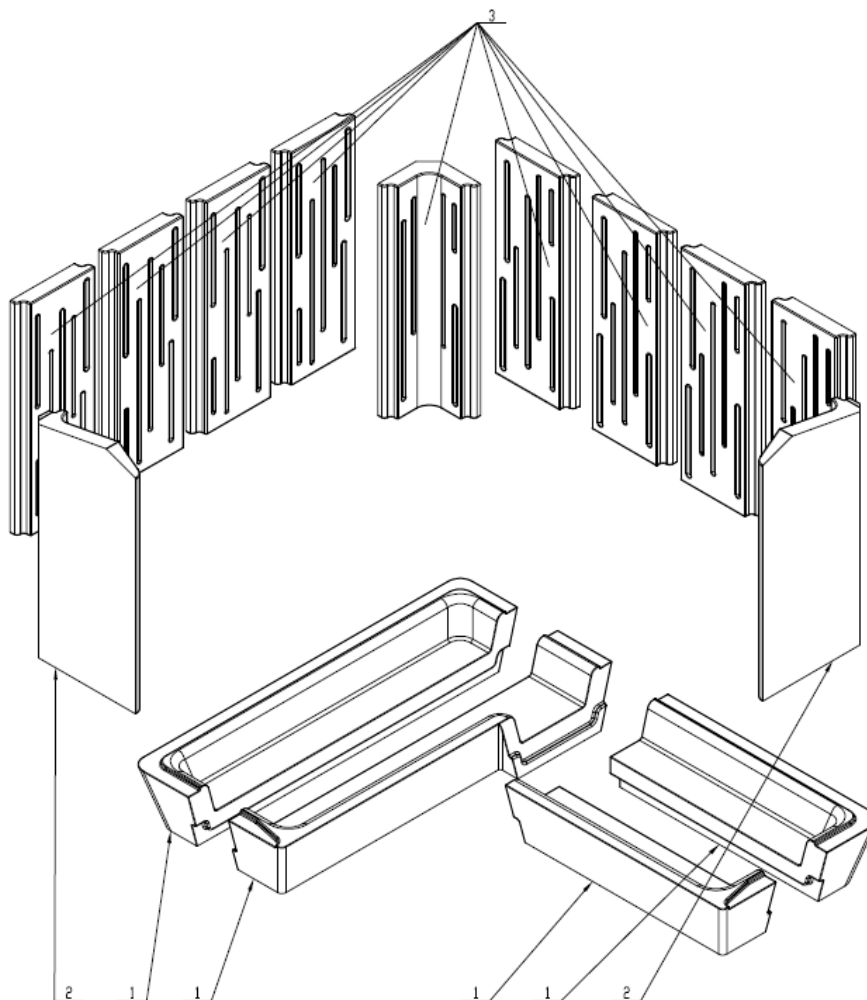


FIREPLACE INSERT BEF FLAT V 4 L **IN ACCORDANCE WITH EN 13 229**

Technical data:

Nominal heat output	kW	7,5
Efficiency	%	82
Volume flow of combustion products	g/s	9
Flue-gas temperature	°C	267
Min. feed pressure at nominal heat output	Pa	11
Fuel		wood (beech logs)
Fuel consumption per hour	kg/h	2,2
CO emission in burnt gas (in relation to 13% O ₂) %		0,0673
Dust in flue-gas (in relation to 13% O ₂)	mg/Nm ³	26
Smoke flue diameter	mm	180
Weight	kg	

Set of carcon firebox:



List of spare parts:

- 1. Bottom**
- 2. Side piece**
- 3. Back**
- 4. Deflector**

For details see Installation and Service Instructions.